



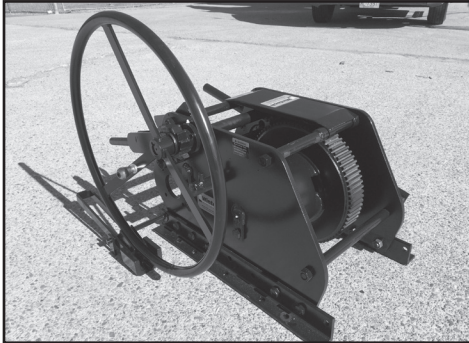
DECK FITTINGS

MANUAL LOW - PROFILE BARGE WINCH

20 - 90 TON HOLDING CAPACITY

TAKING THE WINCH INDUSTRY BY STORM

BUILT TO LAST LOW-PROFILE TO KEEP THE CABLE LOW ON THE "BITTS" AND THE DECK



STANDARD FEATURES

- Additional tightening power from ratchet lever bar.
- Quick release holding dog, automatically disengages when not in use.
- Spinner knob on hand wheel for fast slack line take-up.
- Steel gear guard provides operator protection; prevents slack cable from fouling gears.
- Foot brakes control and prevent overrunning and birdnesting of wire rope.

OPTIONAL FEATURES:

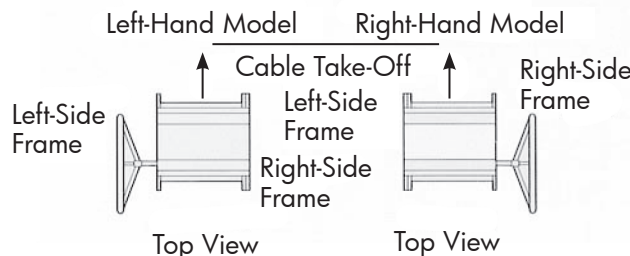
- Wider drums, angle deck brackets, disengaging clutch.
- Wintech Winch Cables

LOW-PROFILE MANUAL BARGE WINCH SPECIFICATIONS								DRUM OPTIONS		
MODEL NO.	RATED CAPACITIES (US TONS)			1ST PLAYER	DRUM	SHIPPING WEIGHT (LBS)	CUBIC FEET	CAPACITY (US TONS)	DIMENSIONS (IN.)	
	DOG HOLDING	TIGHTENING		GEAR RATIO	DIAMETER (IN.)				STANDARD DRUMS	WIDER DRUMS
		HAND	RATCHET							
20 HL	20	3	5	7:1	8-5/8	600	18.0	20 ton	10	17, 24, 36, 48
25 HL	40	5	10	14:1	10-3/4	650	22.0	40 ton	9	17, 35, 51, 69
50 HL	65	7.5	15	20:1	12-3/4	1175	34.0	65 ton	11	20, 41, 61, 82
75 HL	90	10	20	31:1	16	1880	37.0	90 ton	10	20, 40, 61, 81

Note: All models are shown with "L" designating left hand models; for right hand models, substitute "R" for "L" in

20 HL-8 5/8" DRUM DIAMETER					25 HL-10 3/4" DRUM DIAMETER					50 HL-12 3/4" DRUM DIAMETER					75 HL-16" DRUM DIAMETER				
LENGTH (IN.)	DRUM CAPACITY				LENGTH (IN.)	DRUM CAPACITY				LENGTH (IN.)	DRUM CAPACITY				LENGTH (IN.)	DRUM CAPACITY			
	.5/8 IN.	.3/4 IN.	.7/8 IN.	1 IN.		.5/8 IN.	.3/4 IN.	.7/8 IN.	1 IN.		.5/8 IN.	.3/4 IN.	.7/8 IN.	1 IN.		.5/8 IN.	.3/4 IN.	.7/8 IN.	1 IN.
10*	380	275	194	132	9*	248	162	142	88	11*	194	174	110	100	10*	119	108	98	56
17	650	470	330	225	17	479	314	277	174	20	377	338	216	197	20	247	225	207	119
24	915	650	460	317	35	975	643	568	359	41	773	694	445	408	40	523	478	441	254
36	1370	975	690	476	51	1472	971	865	544	61	1168	1051	674	619	61	798	731	675	390
48	1830	1300	920	634	69	1969	1299	1151	729	82	1564	1407	903	830	81	1074	983	909	525

* standard length of drum (drum lengths) are rounded to the nearest inch.



RULE OF THUMB: Right or left hand models are determined by which side of the winch the handwheel is mounted on. As illustrated right, standing behind the winch, facing the cable take-off direction is the proper orientation for determining right or left hand requirements.

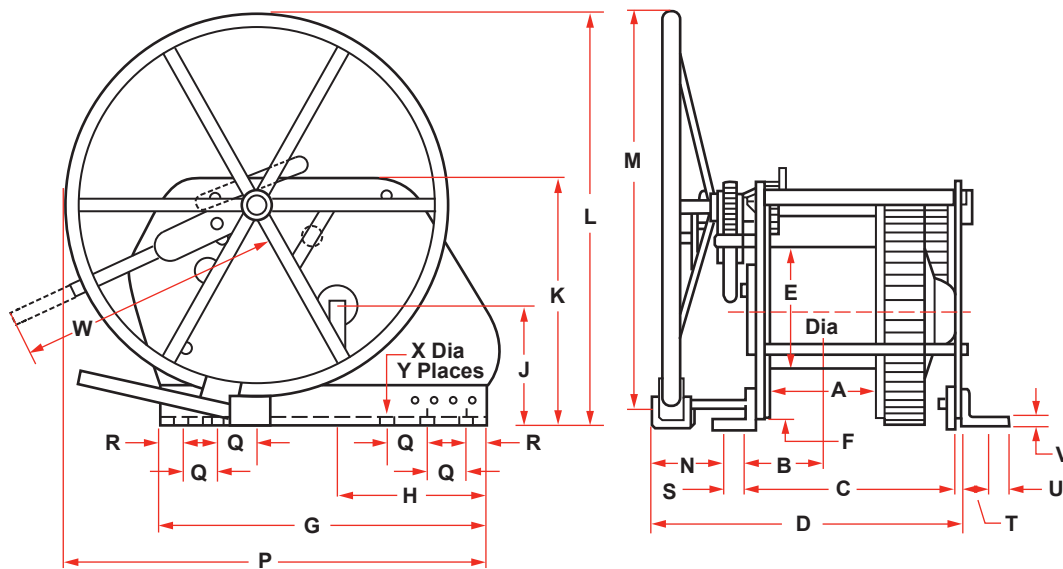
DECK FITTINGS



MANUAL LOW - PROFILE BARGE WINCH

20 - 90 TON HOLDING CAPACITY

SUPERIOR VALUE - RELIABILITY / QUALITY
WINCH CABLES AVAILABLE ON ALL MODELS.



MANUAL BARGE WINCH-LOW PROFILE DIMENSIONS

CAPACITY (US TONS)	DIMENSIONS (INCHES)																						
	A	B	C	D	E	F	G	H	J	K	L	M	N	P	Q	R	S	T	U	V	W	X	Y
20HL	10	6-1/2	15-7/8	25-7/8	8-5/8	6	23	11-1/2	11-3/4	24	35	32	9-3/8	38	4	3/4	1	1	1	3/8	53-1/2	13/16	8
25HL	9	7-3/8	17-7/8	27-7/8	10-3/4	3-5/8	28	12-1/4	21	21	34-1/2	32	9-3/8	37-1/2	4	3	1	2-1/8	1	1/2	53-1/2	13/16	10
50HL	11	8	20-7/8	30-7/8	12-3/4	4-3/8	33	15	12	25	42-1/2	40	9-1/8	43	4	2	1-3/8	3	1-7/8	3/4	59-1/2	1-1/8	12
75HL	10	8-1/8	21-7/8	31-1/4	1-6	4-1/2	41	16-1/2	14	29	50-1/2	48	9	50-1/2	4	2	1-1/2	3-1/2	1-1/2	1	65-1/2	1-1/8	16

NOTE: Dimensions are subject to change. Please contact factory for certified prints.



DECK FITTINGS

STANDARD UPRIGHT ELECTRIC 40 AND 65 US TON BARGE WINCH



TAKING THE WINCH INDUSTRY BY STORM
LOW DOWNTIME AND MAINTENANCE

STANDARD FEATURES

- Fully reversing crane and hoist duty motors that are totally enclosed.
- Control from pilot house or deck.
- Stall pulls to 40,000 lbs.
- Improved brake holding capacity to 70,000 lbs.
- Drum guard prevents slack cable from fouling gears.
- Hand wheel for operation in the event of power loss.

OPTIONAL FEATURES:

- Flange-mounted ball bearings for power shaft, factory installed.
- Grooved drums
- Drum flange divider
- Remote control packages:
 - NEMA 1; General purpose enclosure
 - NEMA 4; Watertight enclosure
 - NEMA 1 or 4 magnetic reversing starter
 - NEMA 1 or 4 push button station
- Wintech Winch Cables

Wintech electric barge winches are designed to protect operator profits by speeding up tow makeup and breakdown.

ELECTRIC BARGE WINCH-STANDARD SPECIFICATIONS

MODEL NO.	DOG HOLDING CAPACITY (TONS)	CAPACITIES (LBS)			HOLDING (LBS)	LINE SPEED (FPM)			VOLTS	WEIGHT		
		RATED PULL	STALL PULL	HAND PULL	ELECTRIC BRAKE	NO LOAD	RATED PULL	HP	PHASE CYCLE	NET (LBS)	SHIP (LBS)	CU. FT.
301L-RC	40	3200	9000	20000	55000	50	42	5	230/460-3-60	728	785	27.0
311L-RC	40	4200	11500	20000	55000	35	31	5	230/460-3-60	728	785	27.0
321L-RC	40	4800	13000	20000	55000	50	42	7.5	230/460-3-60	859	922	27.0
331L-RC	40	6400	17500	20000	55000	23	21	5	230/460-3-60	728	791	27.0
341L-R	40	6400	17500	20000	55000	35	31	7.5	230/460-3-60	859	1038	27.0
351L-RC	40	8500	23500	20000	55000	17	15	5	230/460-3-60	728	1050	27.0
601L-RC	65	4500	1500	40000	70000	34	30	5	230/460-3-60	1290	1536	34.0
611L-RC	65	6500	22000	40000	70000	34	30	7.5	230/460-3-60	1331	1536	34.0
621L-RC	65	8500	28000	40000	70000	17	15	5	230/460-3-60	1331	1536	34.0
631L-RC	65	12000	40000	40000	70000	17	15	7.5	230/460-3-60	1361	1536	34.0
641L-RC	65	12000	40000	40000	70000	23	20	10	230/460-3-60	1361	1536	34.0

Note: All models are shown with "L" designating left hand models; for right hand models, substitute "R" for "L" in model number.
Capacities are rated on first layer.
* Stall pull rate at specified voltage with holding dog engaged.

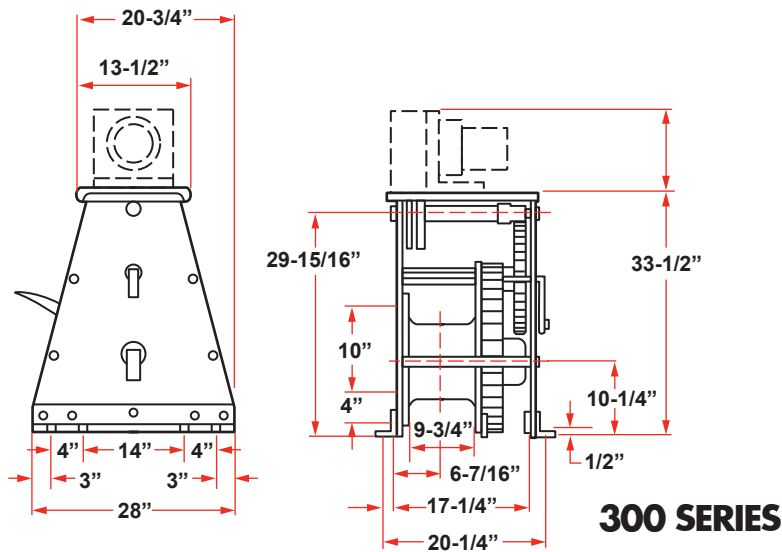
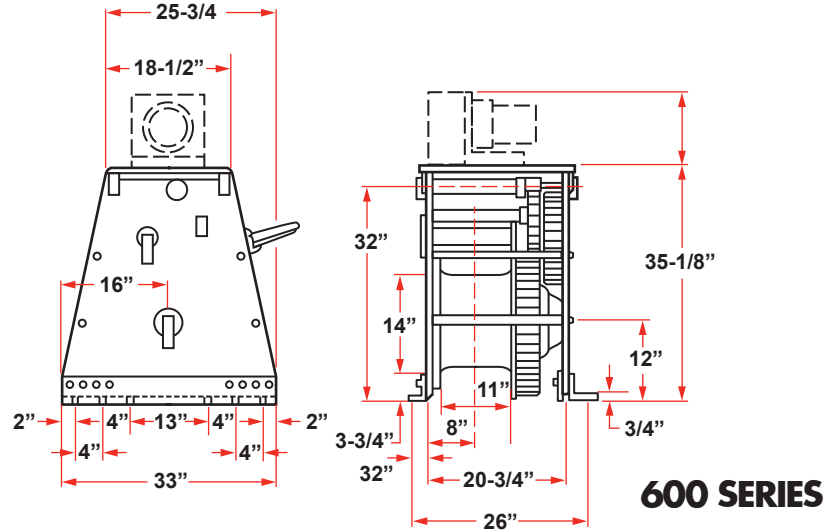
Warning: Before installation see maintenance and operations manual for additional warnings and precautions. This equipment is not to be used for lifting, supporting, or transporting people, or lifting or supporting loads over people.

DECK FITTINGS





STANDARD UPRIGHT ELECTRIC 40 AND 65 US TON BARGE WINCH



40 TO STD-10" DRUM DIA.				
LENGTH (INCHES)	DRUM CAPACITY (FT)			
	5/8 IN.	3/4 IN.	7/8 IN.	1 IN.
9*	286	196	130	116
17	559	386	258	232
35	1174	813	546	493
51	1755	1216	818	740
69	2326	1620	1090	986

65 TO STD-14" DRUM DIA.				
LENGTH (INCHES)	DRUM CAPACITY (FT)			
	7/8 IN.	1 IN.	1-1/8 IN.	1-1/4 IN.
11*	210	133	119	67
20	418	265	240	136
41	834	531	481	274
61	1271	810	734	418
82	1686	1075	975	556

DECK FITTINGS