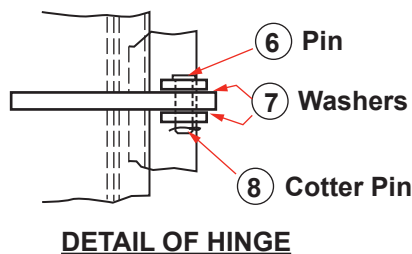
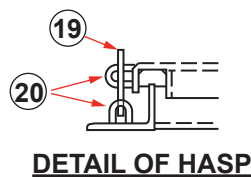
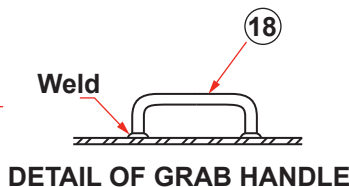
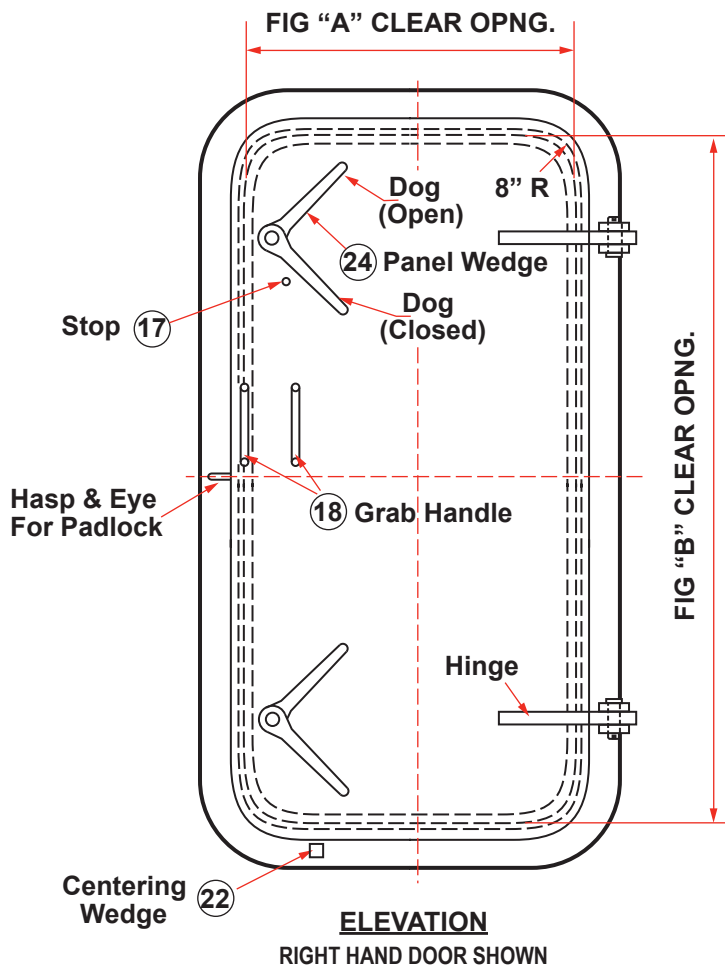




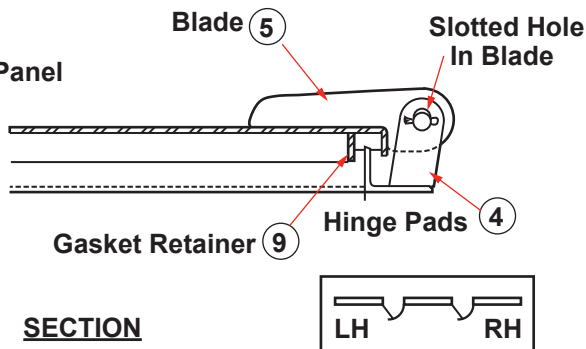
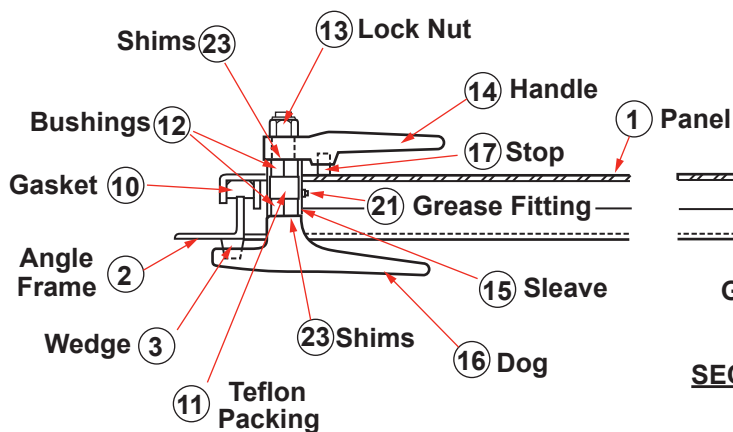
# DOORS/HATCHES

## WATERTIGHT DOOR WITH 2 DOGS DRAWING NO. 100



### SCHEDULE OF MATERIAL

PC. NO.	MATERIAL
1	Mild Steel
2	Do.
3	Do.
4	Do.
5	Do.
6	Brass
7	Do.
8	Do.
9	Mild Steel
10	Neoprene
11	Graphite
12	Delrin
13	Mild Steel
14	Frg. Stl.
15	Mild Steel
16	Frg. Stl.
17	Mild Steel
18	Do.
19	Do.
20	Do.
21	Steel
22	Do.

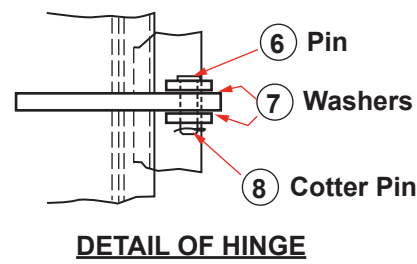
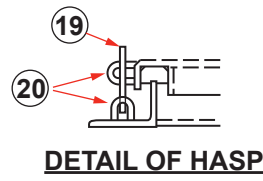
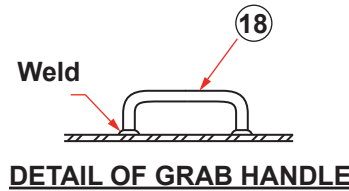
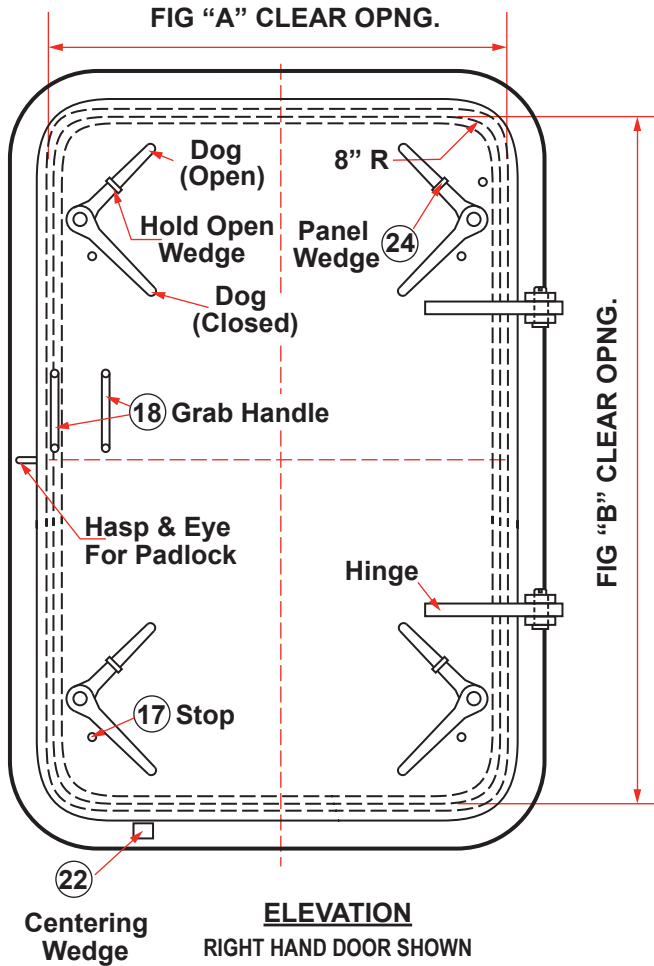


DOORS/HATCHES



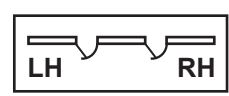
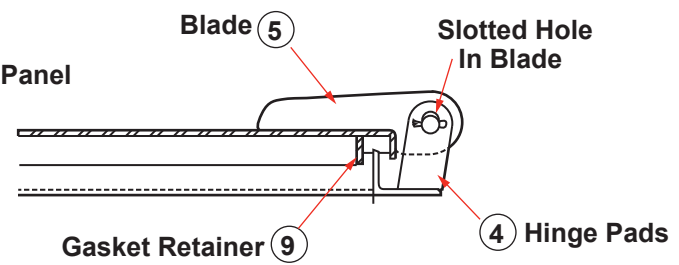
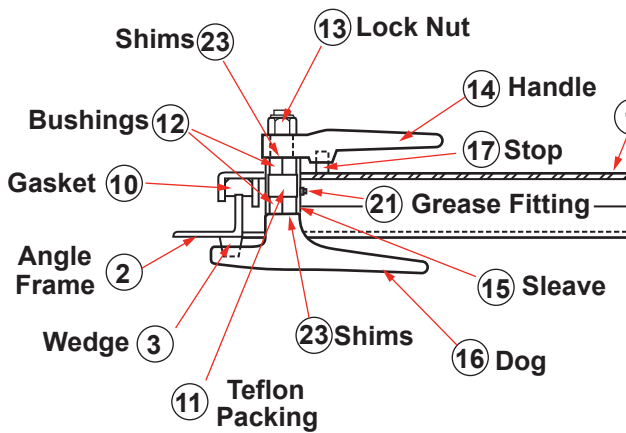


# WATERTIGHT DOOR WITH 4 DOGS DRAWING NO. 101



**SCHEDULE OF MATERIAL**

PC. NO.	MATERIAL
1	Mild Steel
2	Mild Steel
3	Brass
4	Brass
5	Brass
6	Delrin
7	Neoprene
8	Frg. Stl.
9	Frg. Stl.
10	Mild Steel
11	Mild Steel
12	Mild Steel
13	Graphite
14	Mild Steel
15	Mild Steel
16	Mild Steel
17	Mild Steel
18	Mild Steel
19	Mild Steel

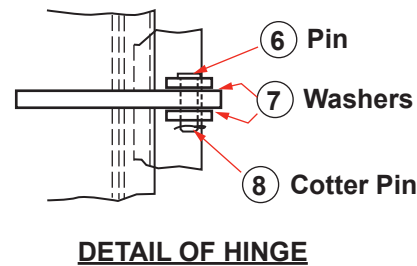
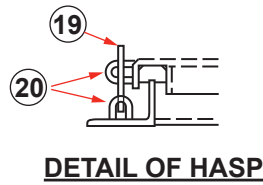
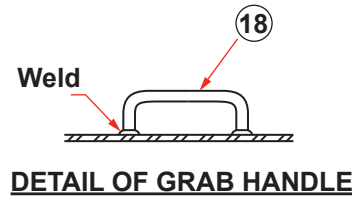
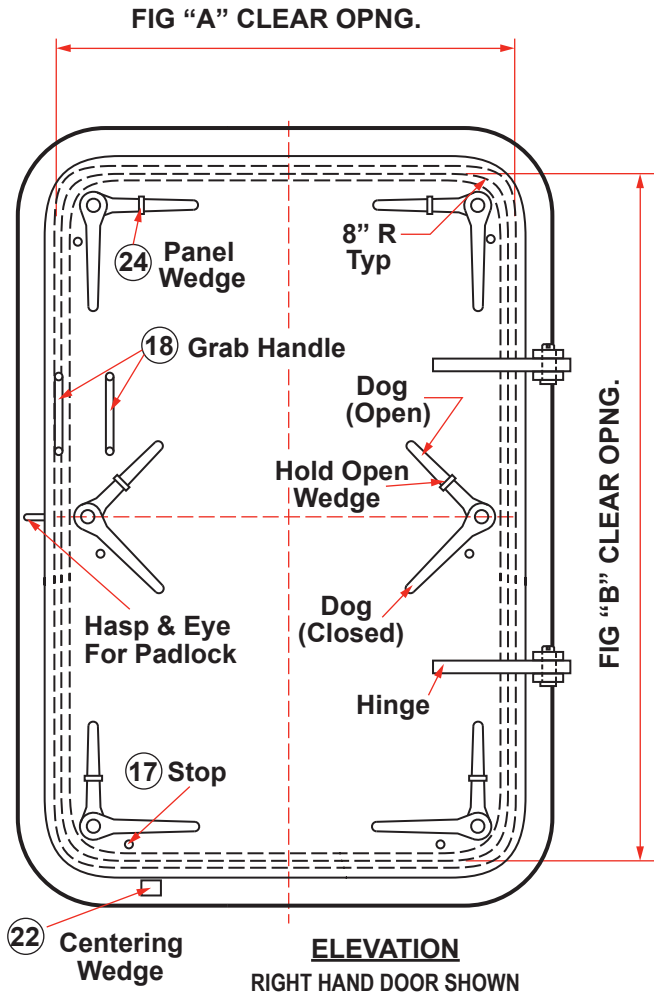


DOORS/HATCHES



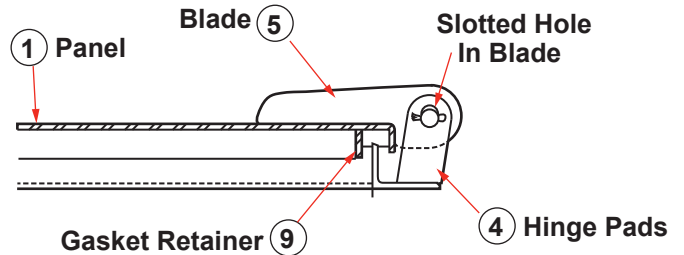
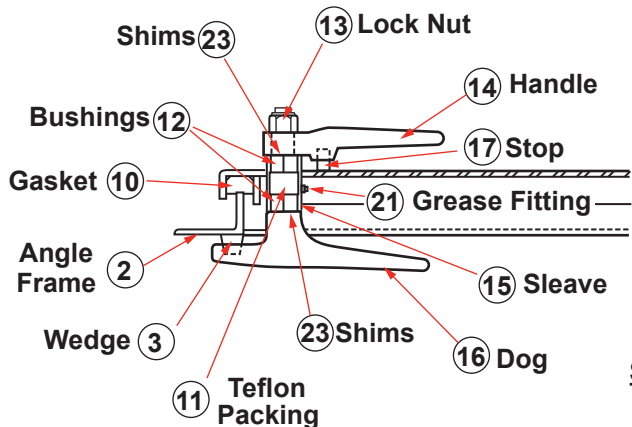
# DOORS/HATCHES

## WATERTIGHT DOOR WITH 6 DOGS DRAWING NO. 102



### SCHEDULE OF MATERIAL

PC. NO.	MATERIAL
1	Mild Steel
2	Mild Steel
3	Brass
4	Brass
5	Brass
6	Delrin
7	Neoprene
8	Frg. Stl.
9	Frg. Stl.
10	Mild Steel
11	Mild Steel
12	Mild Steel
13	Graphite
14	Mild Steel
15	Mild Steel
16	Mild Steel
17	Mild Steel
18	Mild Steel
19	Mild Steel
20	Mild Steel
21	Mild Steel
22	Mild Steel
23	Brass

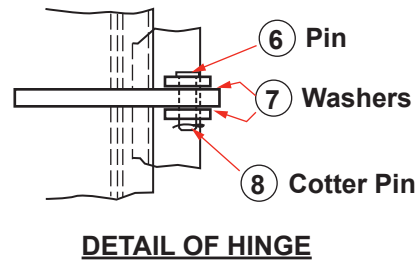
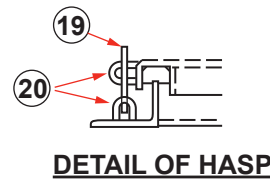
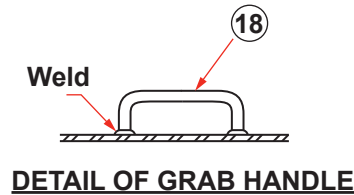
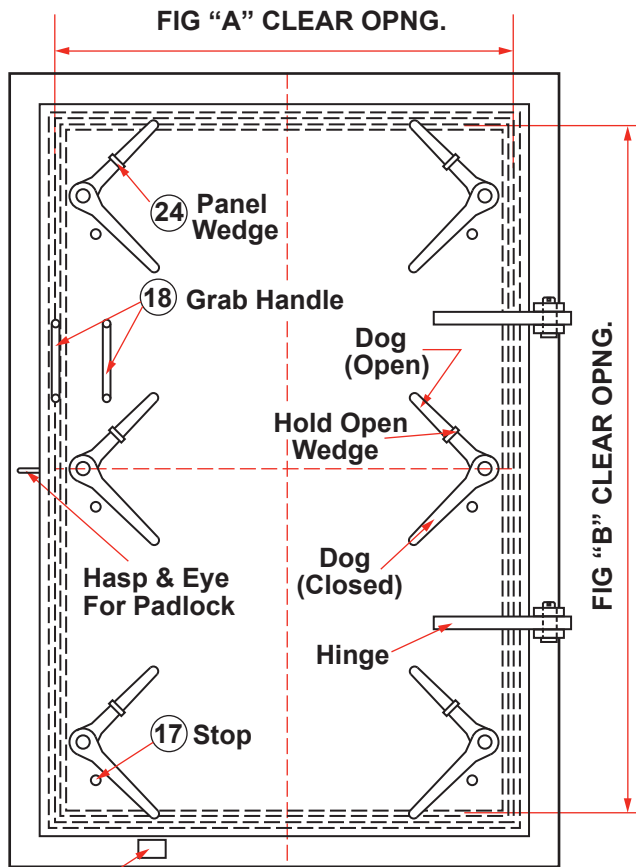


DOORS/HATCHES



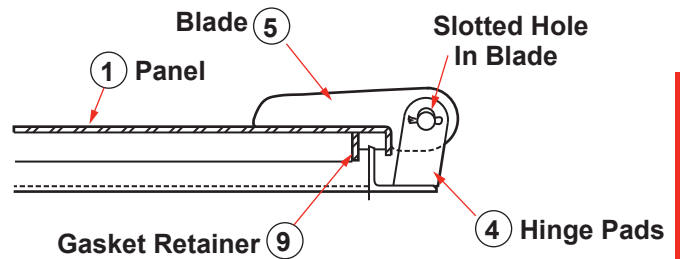
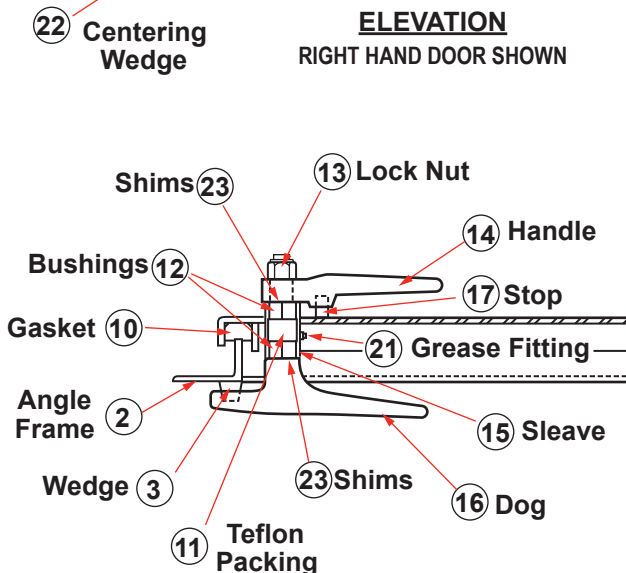


# WATERTIGHT DOOR WITH 6 DOGS DRAWING NO. 103



**SCHEDULE OF MATERIAL**

PC. NO.	MATERIAL
1	Mild Steel
2	Mild Steel
3	Brass
4	Brass
5	Mild Steel
6	Delrin
7	Neoprene
8	Frg. Stl.
9	Frg. Stl.
10	Mild Steel
11	Mild Steel
12	Mild Steel
13	Graphite
14	Mild Steel
15	Mild Steel
16	Mild Steel
17	Mild Steel
18	Mild Steel
19	Mild Steel
20	Mild Steel
21	Mild Steel
22	Mild Steel
23	Brass
24	Mild Steel

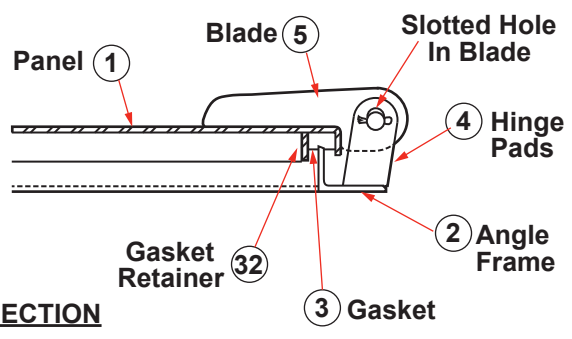
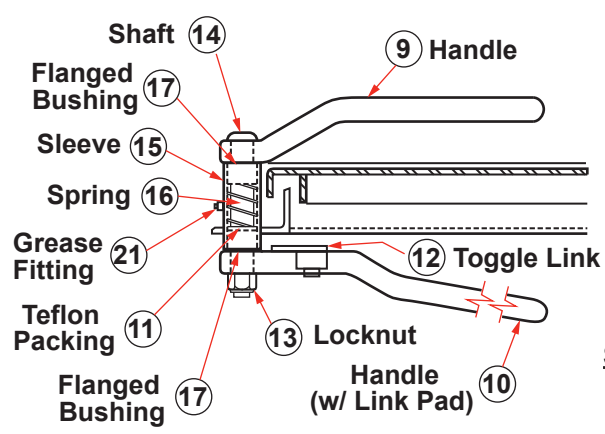
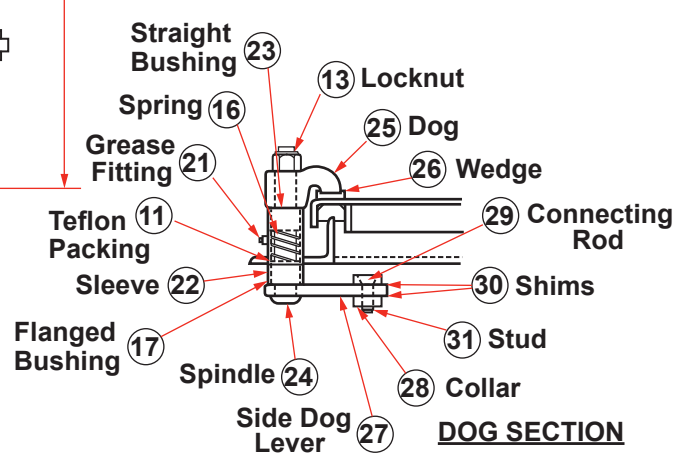
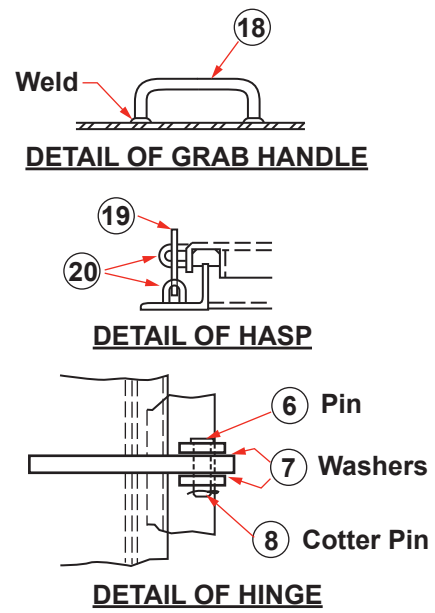
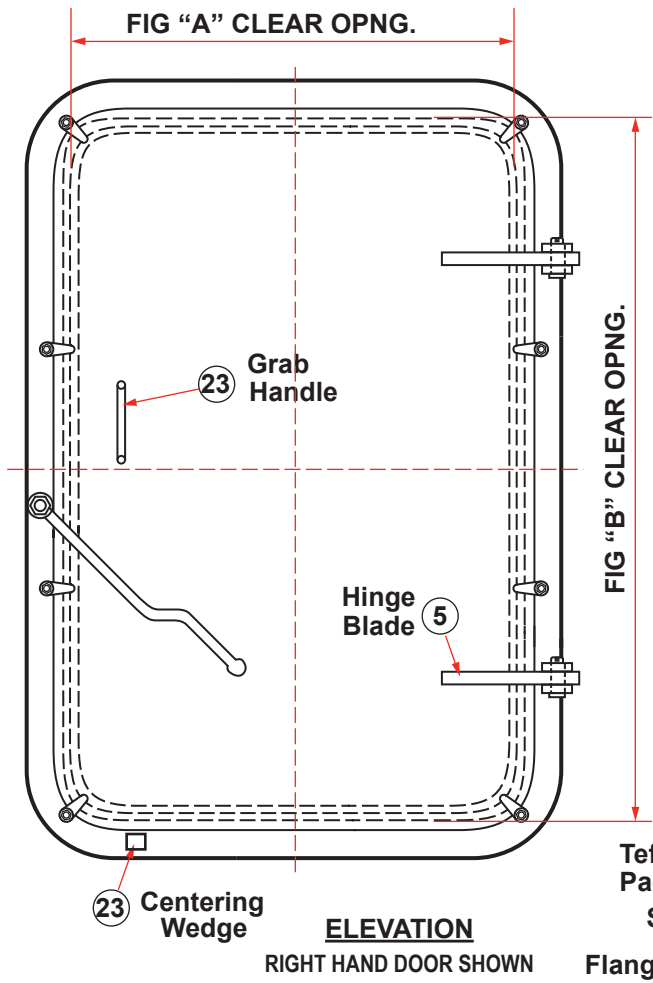


DOORS/HATCHES





# QUICK ACTING WATERTIGHT DOOR DRAWING NO. 109



**SCHEDULE OF MATERIAL**

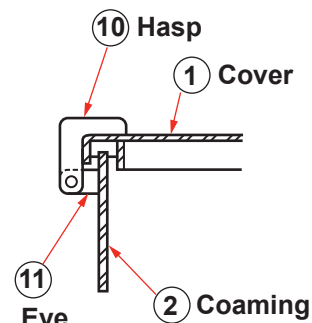
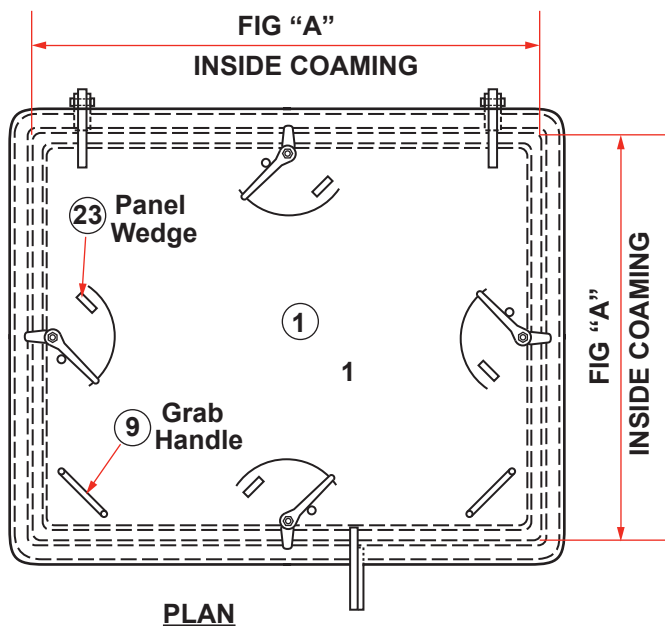
PC. NO.	MATERIAL
1	Mild Steel
2	Mild Steel
3	Brass
4	Stainless
5	Stainless
6	Forged Stl
7	Neoprene
8	Forged Stl
9	Forged Stl
10	Oilite Bronze
11	Mild Steel
12	Mild Steel
13	Graphite
14	Mild Steel
15	Mild Steel
16	Mild Steel
17	Stainless
18	Mild Steel
19	Mild Steel
20	Mild Steel
21	Mild Steel
22	Mild Steel
23	Stainless
24	Mild Steel
25	Mild Steel
26	Mild Steel
27	Mild Steel
28	Mild Steel
29	Mild Steel
30	Oilite Bronze
31	Cold Finish
32	Cold Finish
33	Mild Steel
34	Stainless
35	Plated Stl

DOORS/HATCHES

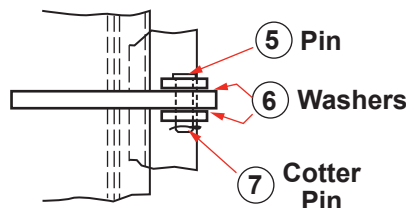


# DOORS/HATCHES

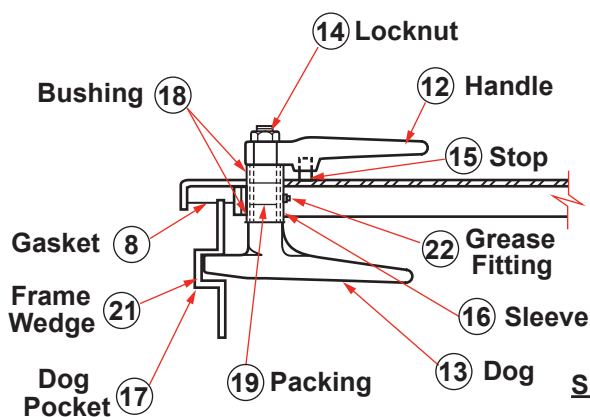
## WATERTIGHT HATCH DRAWING NO. 201



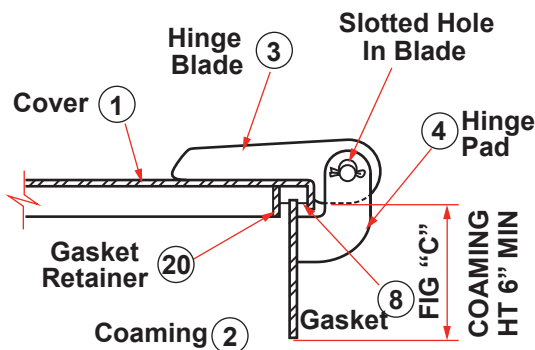
**DETAIL OF HASP & EYE**



**DETAIL OF HINGE**



**SECTION**



### SCHEDULE OF MATERIAL

PC. NO.	MATERIAL
1	Mild Steel
2	Mild Steel
3	Brass
4	Brass
5	Brass
6	Brass
7	Brass
8	Neoprene
9	Steel
10	Mild Steel
11	Mild Steel
12	Frg. Stil.
13	Frg. Stil.
14	Steel
15	Steel
16	Steel
17	Steel
18	Delrin
19	Graphite
20	Mild Steel

DOORS/HATCHES



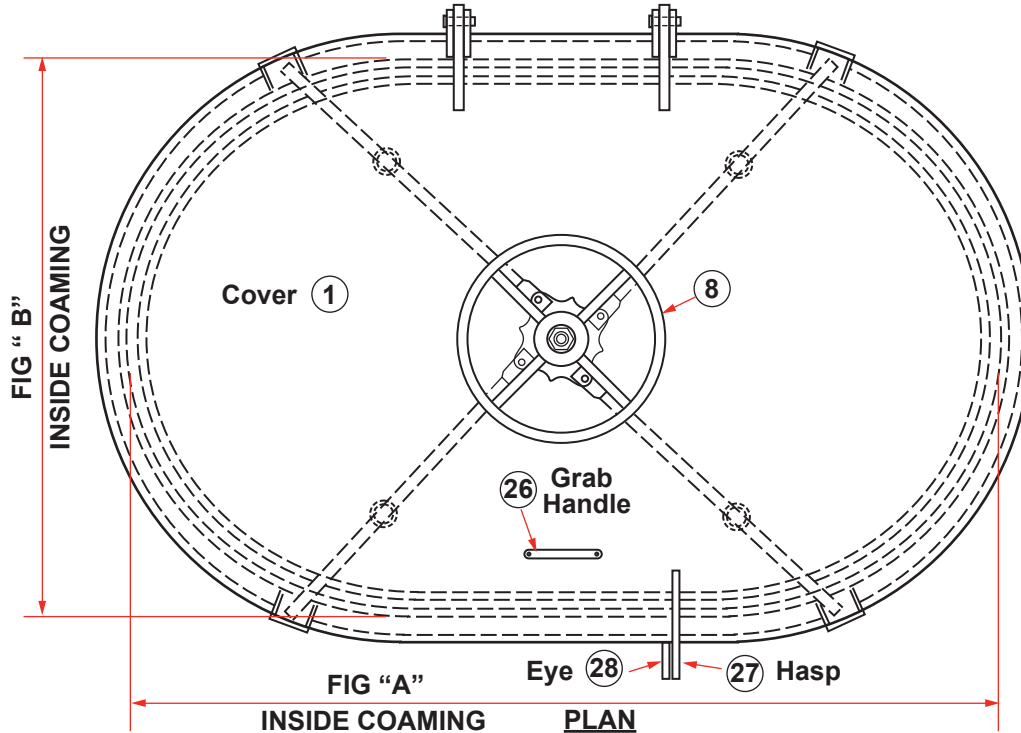






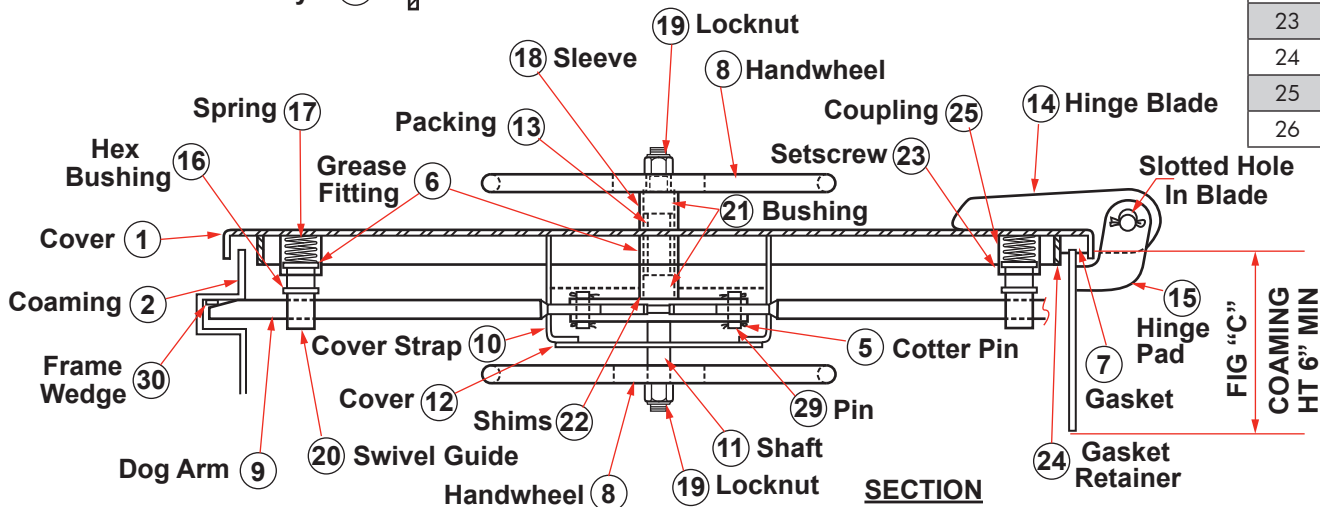
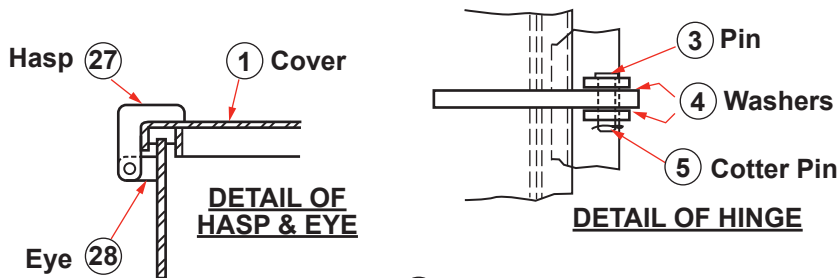
# DOORS/HATCHES

## QUICK ACTING OVAL HATCH DRAWING NO. 203



### SCHEDULE OF MATERIAL

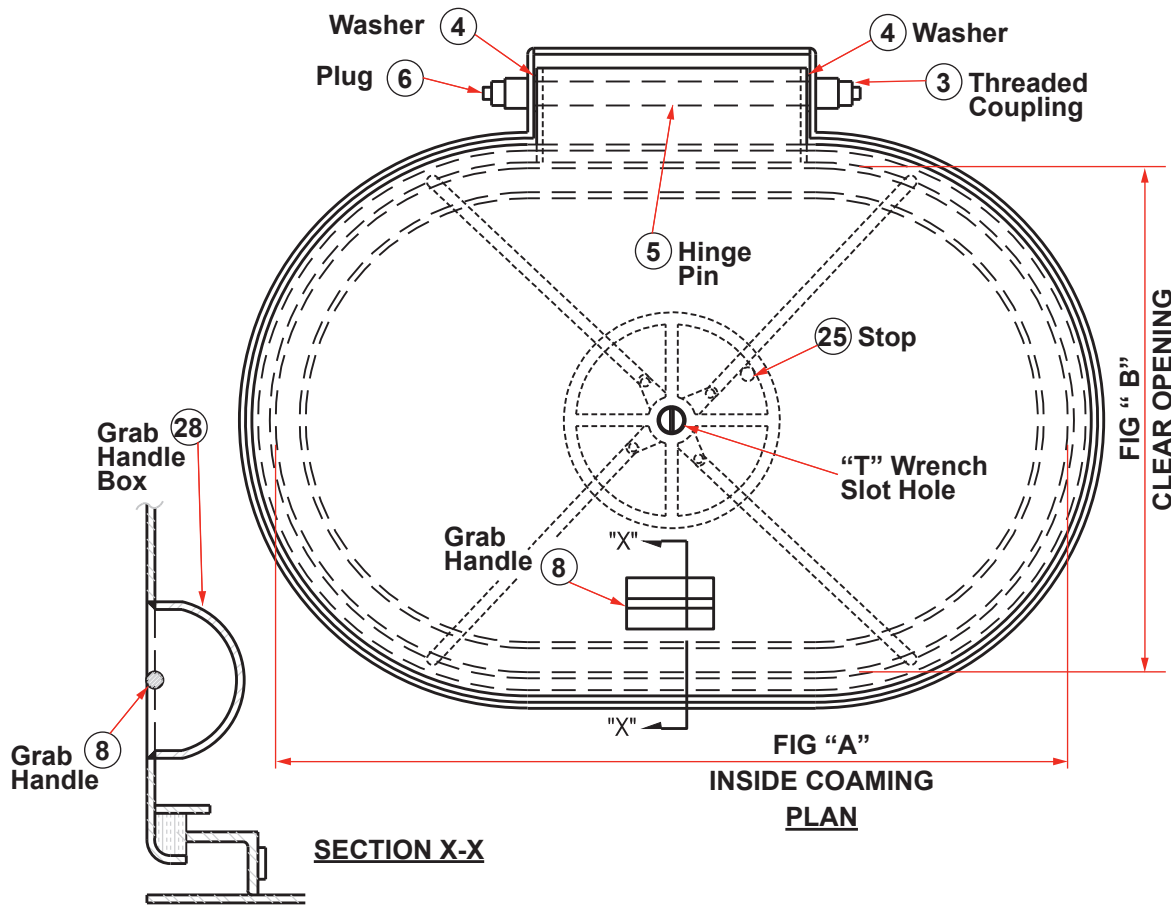
PC. NO.	MATERIAL
1	Mild Steel
2	Mild Steel
3	Brass
4	Brass
5	Brass
6	Brass
7	Neoprene
8	Mild Steel
9	Mild Steel
10	Mild Steel
11	Cold Finish
12	Mild Steel
13	Graphite
14	Mild Steel
15	Mild Steel
16	Mild Steel
17	Spring Steel
18	Mild Steel
19	Mild Steel
20	Brass
21	Delrin
22	Brass
23	Steel
24	Mild Steel
25	Mild Steel
26	Mild Steel



DOORS/HATCHES

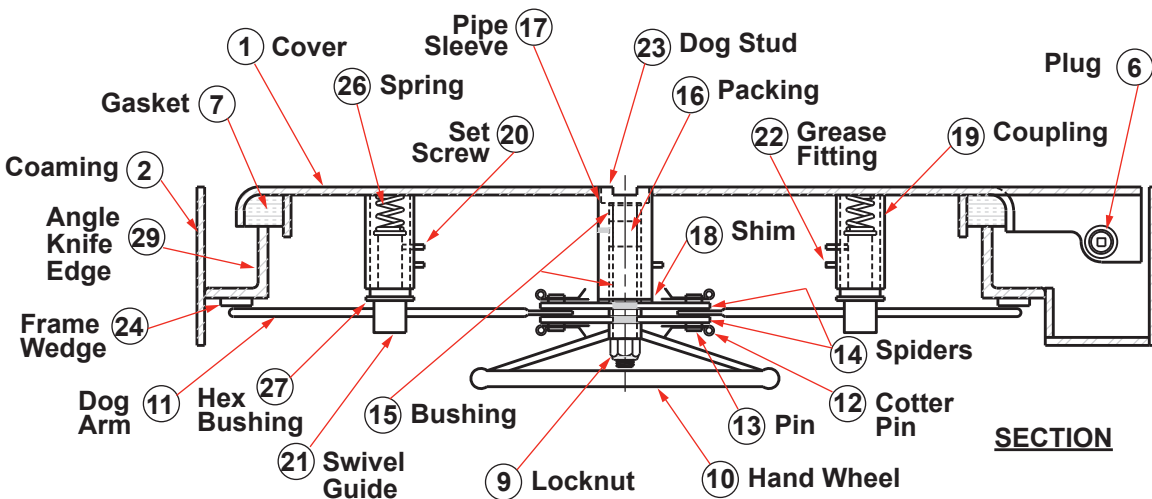


# QUICK ACTING FLUSH OVAL HATCH DRAWING NO. 204



### SCHEDULE OF MATERIAL

PC. NO.	MATERIAL
1	Mild Steel
2	Mild Steel
3	Mild Steel
4	Mild Steel
5	Cold Finish
6	Brass
7	Neoprene
8	Mild Steel
9	Mild Steel
10	Mild Steel
11	Mild Steel
12	Brass
13	Brass
14	Mild Steel
15	Delrin
16	Graphite
17	Mild Steel
18	Brass
19	Mild Steel
20	Mild Steel
21	Brass
22	Mild Steel
23	Brass
24	Mild Steel
25	Mild Steel
26	Spring Steel
27	Mild Steel

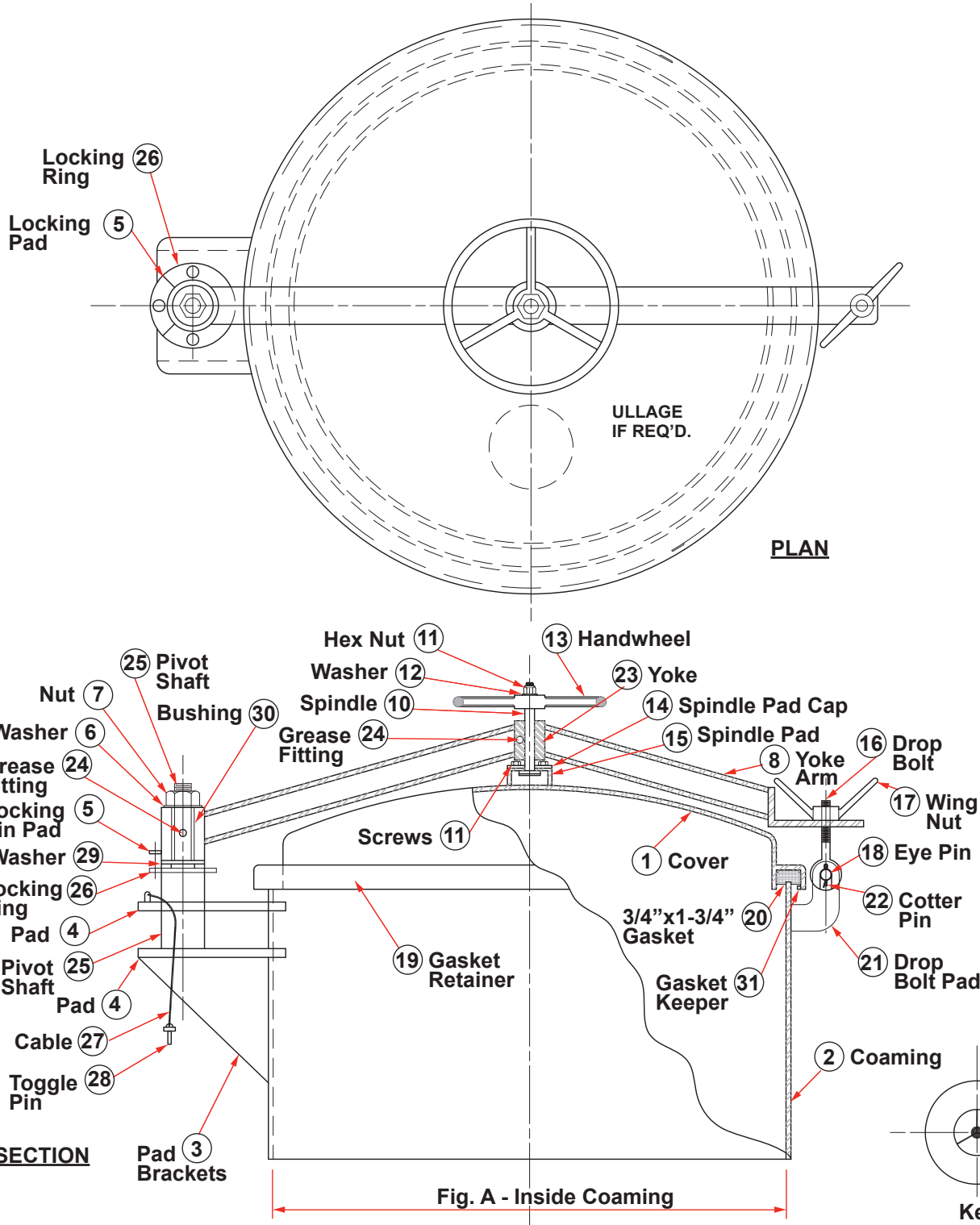


DOORS/HATCHES



# DOORS/HATCHES

## OIL CARGO HATCH DRAWING NO. 210



### SCHEDULE OF MATERIAL

PC. NO.	MATERIAL
1	Mild Steel
2	Mild Steel
3	Mild Steel
4	Mild Steel
5	Mild Steel
6	Brass
7	Steel
8	Mild Steel
9	Steel
10	Brass
11	Steel
12	Brass
13	Mild Steel
14	Mild Steel
15	Mild Steel
16	Manganese Bronze
17	Manganese Bronze
18	Brass
19	Mild Steel
20	Neoprene
21	Mild Steel
22	Mild Steel
23	Steel
24	Steel

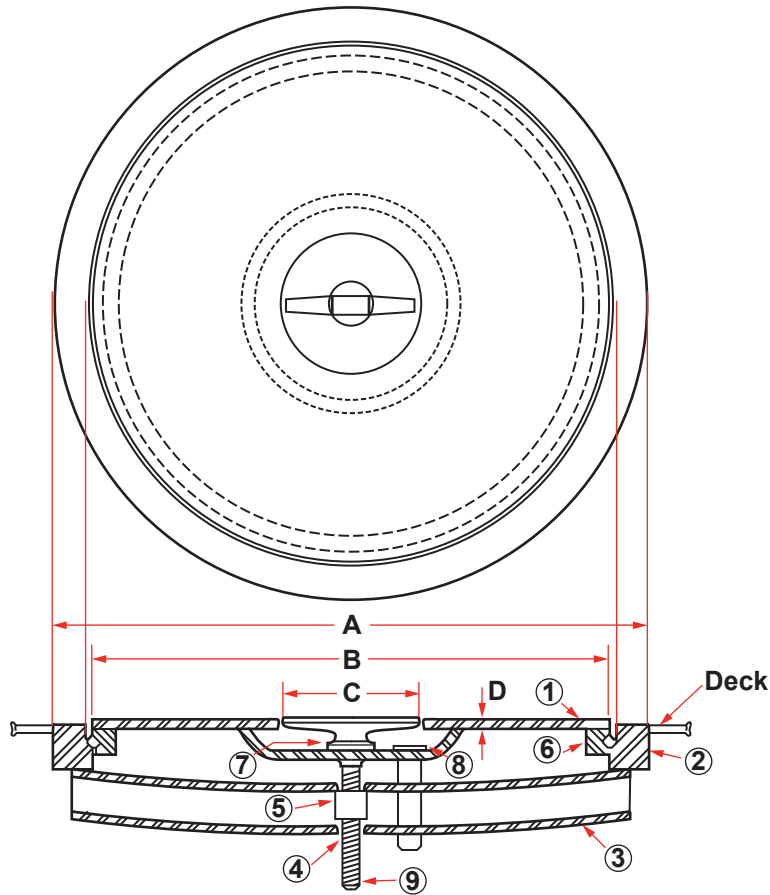
DOORS/HATCHES



# FLUSH WATERTIGHT HATCH

NOTE 1: INCLUDES ALL PIECES EXCEPT PC. NO. 2 - DECK RING

The specifications and details described by drawings or text in this literature are subject to change without notice



PIECE NO.	DESCRIPTION			MATERIAL
		20389	20397	
1	Cover Assembly	20389	20397	See Note 1 above
2	Deck Ring	6750	15334	Mild Steel
3	Strongback	6300	13870	Galvanized Steel
4	Tee Handle	16993	16993	Stainless Steel
5	Nut	507	507	Brass
6	Gasket	17256	6548	Neoprene
7	Washer	604	604	Brass
8	Washer	6556	6556	Neoprene
9	Pin	21636	21636	Stainless Steel

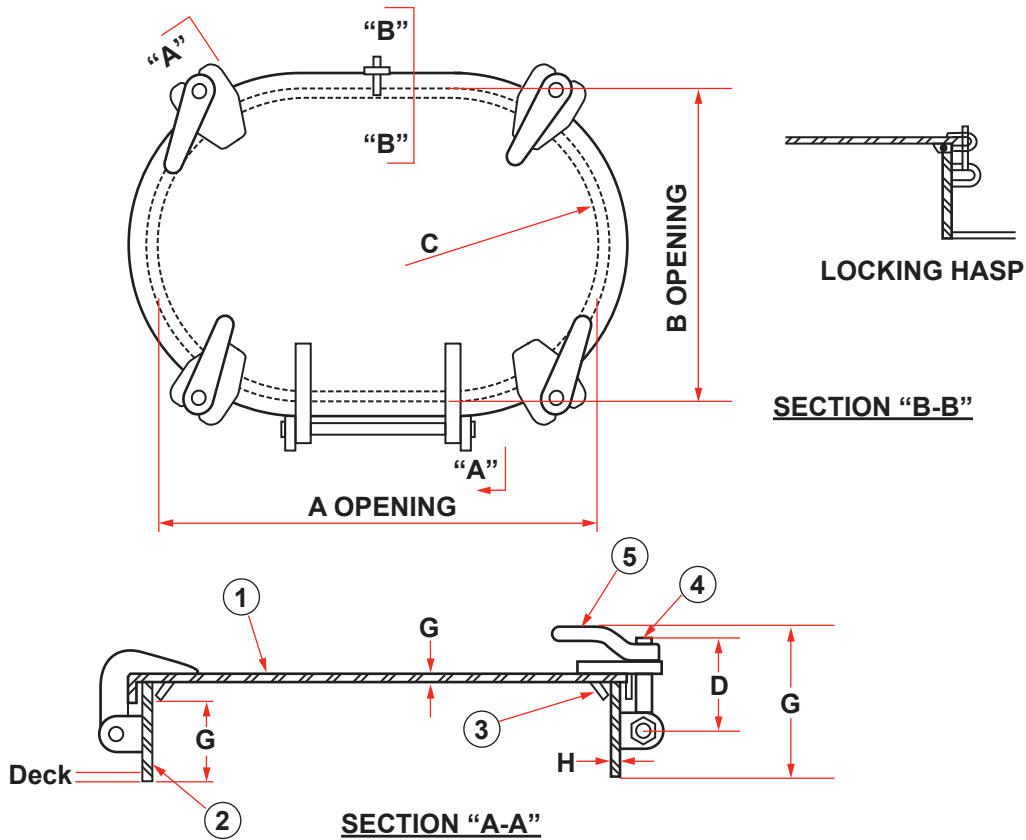
MODEL NO.	PART NO.	SIZE	A	B	C	D	WT. (LBS)
AM-430-18D		18	20-3/4	18	5	3/8	70
	(Galvanized)						74
AM-430-24	6270	24	26-3/4	24	5	3/8	116
	(Galvanized)						120

DOORS/HATCHES



# DOORS/HATCHES

## RAISED WATERTIGHT HATCH



PIECE NO.	DESCRIPTION			MATERIAL
1	Cover Assembly**	77887	78484	Mild Steel
2	Coaming	74098	19550	Mild Steel
3	Gasket	74497	78530	Neoprene†
4	Tumble Bolt	10774	10774	Bronze
5	Dog Handle	74837	74837	Malleable Iron
	Flame Screen*	17051	19445	Stainless Steel

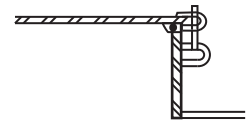
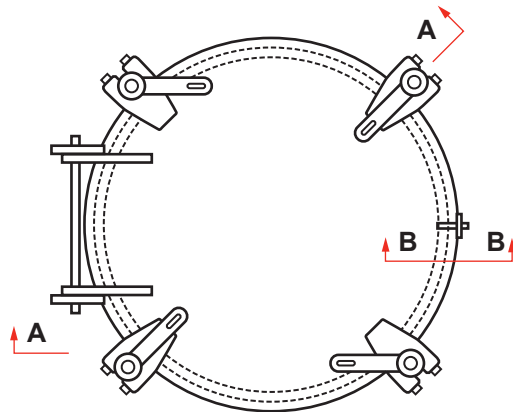
MODEL NO.	PART NO.	SIZE	A	B	C	D	E	F	G	H	WT. (LBS.)
AM-174-5	72451	15 x 23	23	15	7-1/2	5-1/4	8-1/2	5	5/16	3/8	96
AM-464-5	78514	18 x 24	24-1/4	18-1/4	9-1/8	5-1/4	8-1/2	5	5/16	3/8	106

\*OPTIONAL EXTRA  
 \*\* Gasket included w/cover assembly  
 † Other gasket material available  
 Other optional extras include galvanized finish, a flame screen and a variety of coaming heights.  
 The specification and details described by drawings or text in this literature are subject to change without notice.

DOORS/HATCHES

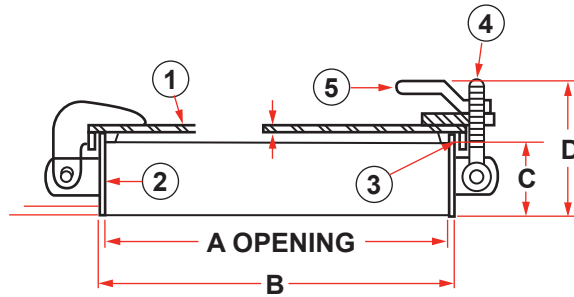


# RAISED WATERTIGHT HATCH



LOCKING HASP

SECTION "B-B"



SECTION "A-A"

PIECE NO.	DESCRIPTION	PART NUMBER	MATERIAL
1	Cover Assembly**	77895	Mild Steel
2	Coaming	75027	Mild Steel
3	Gasket	74497	Neoprene†
4	Tumble Bolt	10774	Bronze
5	Dog Handle	74837	Malleable Iron

MODEL NO.	PART NO.	SIZE	A	B	C	D	E	F	G	H	WT. (LBS.)
AM-343-5		19	19	19-3/4	5	8-1/2	3/8	3/8	5/16	5/16	92

\*OPTIONAL EXTRA

\*\* Gasket included w/cover assembly

† Other gasket material available

Other optional extras include galvanized finish, a flame screen and a variety of coaming heights.

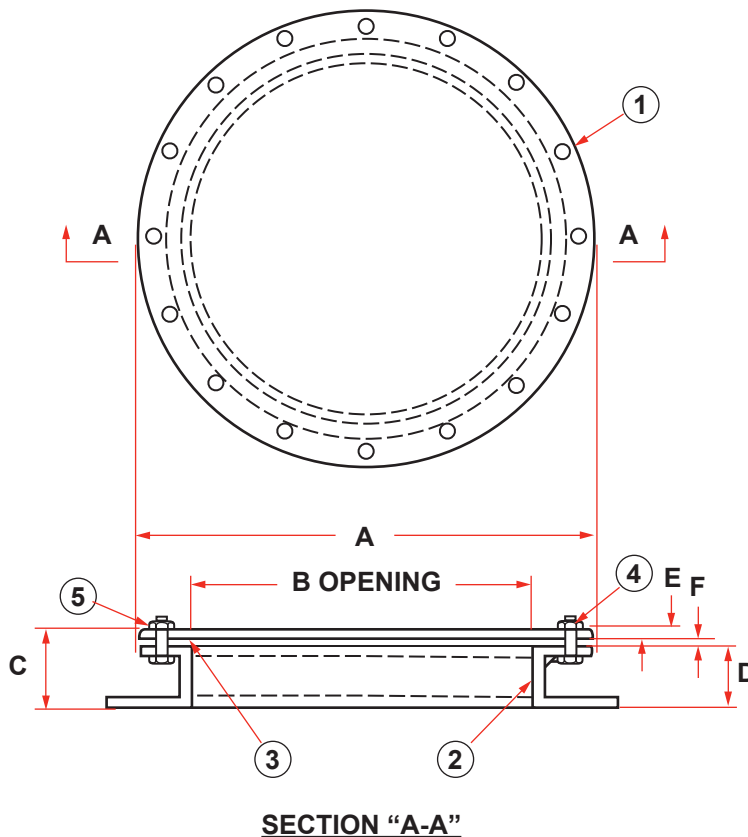
The specification and details described by drawings or text in this literature are subject to change without notice.

DOORS/HATCHES



# DOORS/HATCHES

## CLEAN OUT HATCH



PIECE NO.	DESCRIPTION	PART NUMBER		MATERIAL
		DF-154-18	DF-154-14	
1	HATCH COVER	77216	76767	MILD STEEL
2	COAMING	77232	76783	MILD STEEL
3	GASKET	77224	76775	NEOPRENE
4	5/8" BOLT	14613	14613	STEEL
5	5/8" BOLT	16179	16179	BRASS

MODEL NO.	PART NO.	SIZE	A	B	C	D	E	F	WT. (LBS.)
AM-154-14		14	19	14	3-1/4	2-1/2	3/8	3/8	60
AM-154-18		18	23	18	3-1/4	2-1/2	3/8	3/8	78

The specification and details described by drawings or text in this literature are subject to change without notice.

DOORS/HATCHES

340

HOUSTON (713) 644-1183 FAX (713) 644-1185 TOLL FREE 1 (800) 233-8014 EMAIL Sales@AnchorMarineHouston.com

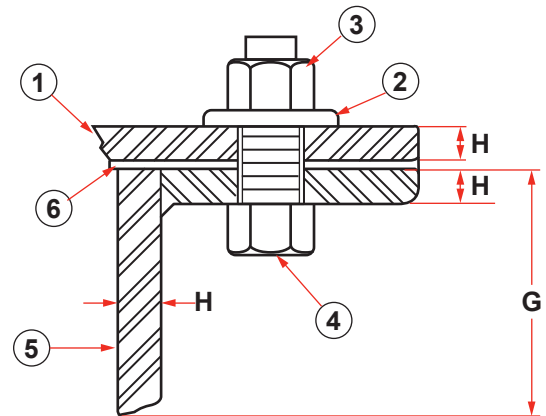
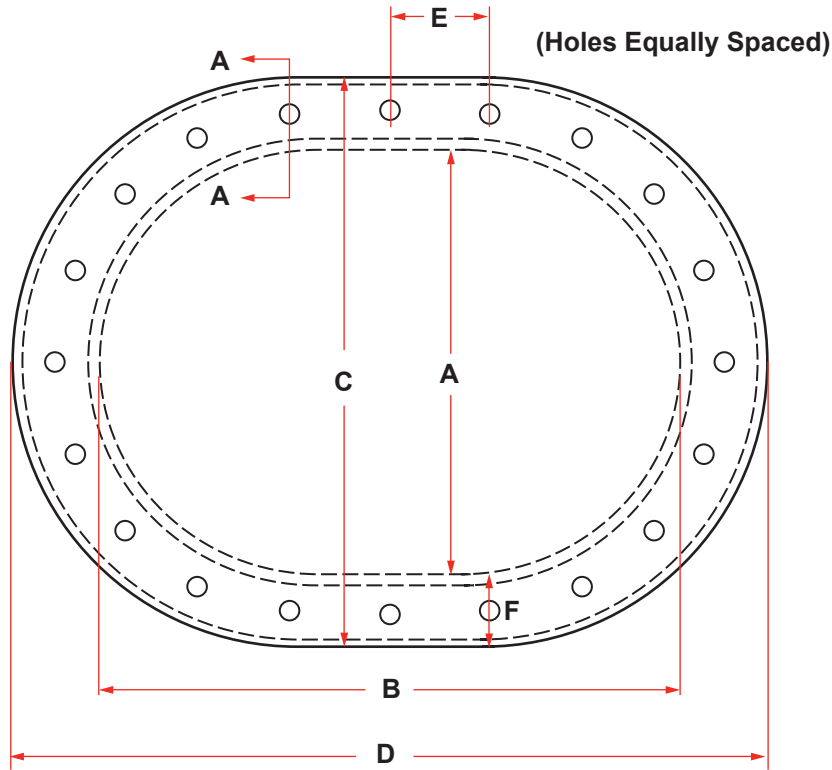
WWW.ANCHORMARINEHOUSTON.COM



**Anchor**  
MARINE & INDUSTRIAL SUPPLY, INC.



# RAISED BOLTED HATCH



**SECTION "A-A"**

PIECE NO.	DESCRIPTION	PART NUMBER		MATERIAL
		DF-501	DF-502	
1	COVER PLATE	21342	21350	STEEL
2	WASHER	21237	21237	BRASS
3	HEX NUT	21245	21245	STAINLESS
4	HEX BOLT	14605	14605	STEEL
5	COAMING	21369	21377	STEEL
6	GASKET	21385	21393	NEOPRENE

MODEL NO.	PART NO.	SIZE	A	B	C	D	E	F	G	H	WT. (LBS.)
AM-501		15 X 23	15	23	20	28-3/4	3-5/8	2-1/2	2-1/2	3/8	85
AM-502		18 X 24	18	24	23	29-3/4	3-1/4	2-1/2	2-1/2	3/8	106

The specification and details described by drawings or text in this literature are subject to change without notice.

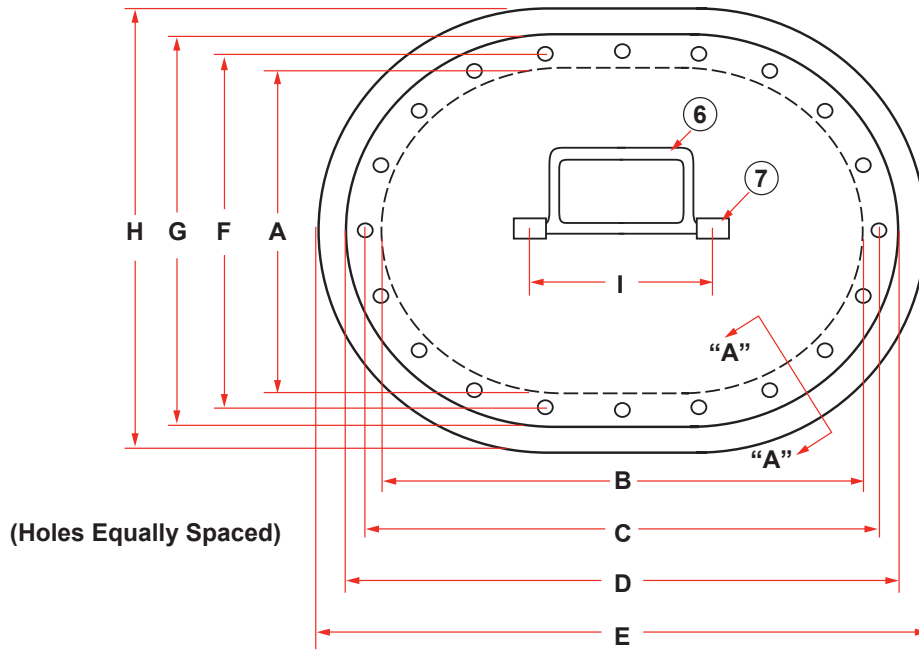
DOORS/HATCHES



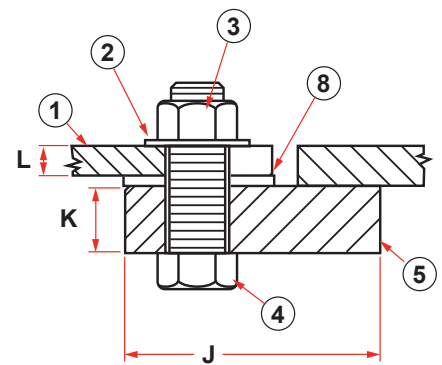


# DOORS/HATCHES

## FLUSH BOLTED HATCH



NOTE: Lampwick grommet furnished by others if required.



**SECTION "A-A"**

PIECE NO.	DESCRIPTION			MATERIAL
1	COVER	21229	21318	MILD STEEL
2	WASHER	21237	21237	BRASS
3	NUT	21245	21245	STAINLESS STEEL
4	BOLT	14613	14613	STEEL
5	DECK RING	21253	21326	MILD STEEL
6	HANDLE	21261	21261	MILD STEEL
7	HANDLE RETAINER	21288	21288	MILD STEEL
8	GASKET	21296	21334	NEOPRENE

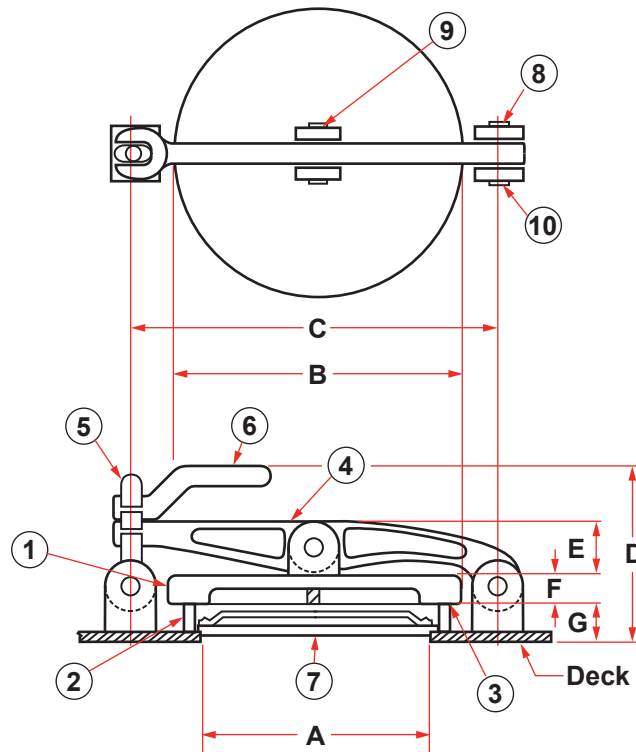
MODEL NO.	PART NO.	SIZE	A	B	C	D	E	F	G	H	I	J	K	L	WT. (LBS.)
AM-503		15 X 23	15	23	24-1/4	26-1/2	29	16-1/4	18-1/2	21	9	3	3/4	3/8	95
AM-504		18 X 24	18	24	25-1/4	27-1/2	30	19-1/4	21-1/2	24	9	3	3/4	3/8	112

The specification and details described by drawings or text in this literature are subject to change without notice.

DOORS/HATCHES



# ULLAGE HATCH



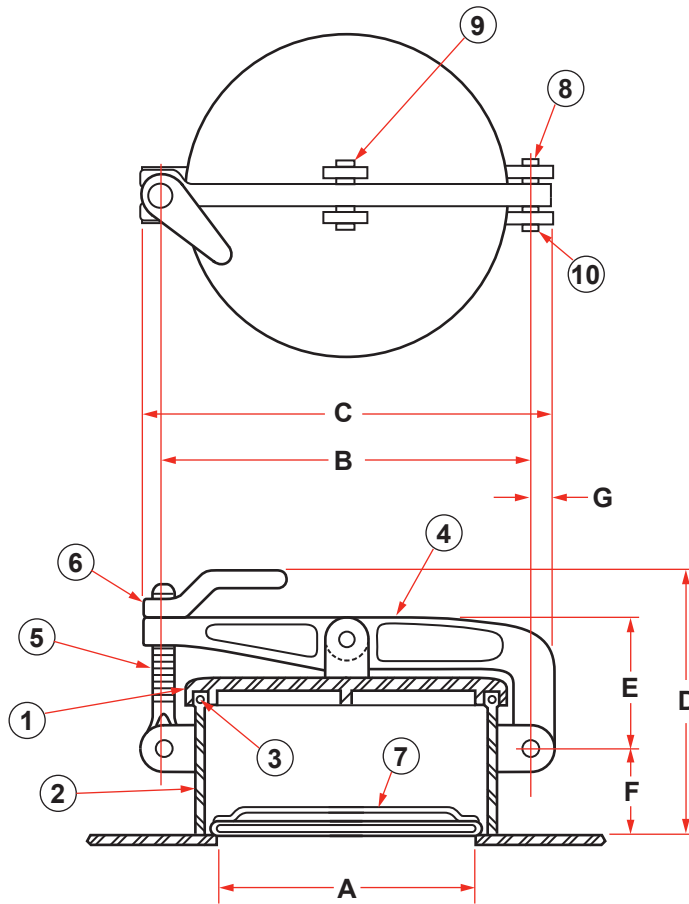
PIECE NO.	DESCRIPTION		MATERIAL
1	COVER	6637	CAST IRON
2	COAMING	75671	MILD STEEL
3	GASKET	17167	NEOPRENE
4	ARM	6831	MALLEABLE IRON
5	TUMBLE BOLT	10774	BRONZE
6	DOG HANDLE	74837	MALLEABLE IRON
7	FLAME SCREEN	6629	STAINLESS STEEL
8	HEX HEAD BOLT	20842	BRONZE
9	HEX HEAD BOLT	20850	BRONZE
10	ESNA NUT	20869	STAINLESS

MODEL NO.	PART NO.	SIZE	A	B	C	D	E	F	G	WT. (LBS.)
AM-144		8	7-1/2	9-1/2	12	5-5/16	1-7/8	13/16	7/8	22

The specification and details described by drawings or text in this literature are subject to change without notice.



# DOORS/HATCHES



## ULLAGE HATCH

PIECE NO.	DESCRIPTION		MATERIAL
1	COVER	83062	CAST IRON
2	COAMING	19526	MILD STEEL
3	GASKET	82449	NEOPRENE
4	ARM	19461	MALLEABLE IRON
5	TUMBLE BOLT	10774	BRONZE
6	DOG HANDLE	74837	MALLEABLE IRON
7	FLAME SCREEN	19496	STAINLESS STEEL
8	HEX HEAD BOLT	20842	BRONZE
9	HEX HEAD BOLT	20850	BRONZE
10	ESNA NUT	20869	STAINLESS STEEL

MODEL NO.	PART NO.	SIZE	A	B	C	D	E	F	G	WT. (LBS.)
AM-569		10	9-1/2	13-1/2	14-3/4	9-5/8	4-3/8	3-1/2	3/4	42

The specification and details described by drawings or text in this literature are subject to change without notice.

DOORS/HATCHES

344

**HOUSTON** (713) 644-1183   
 **FAX** (713) 644-1185   
 **TOLL FREE** 1 (800) 233-8014   
 **EMAIL** Sales@AnchorMarineHouston.com

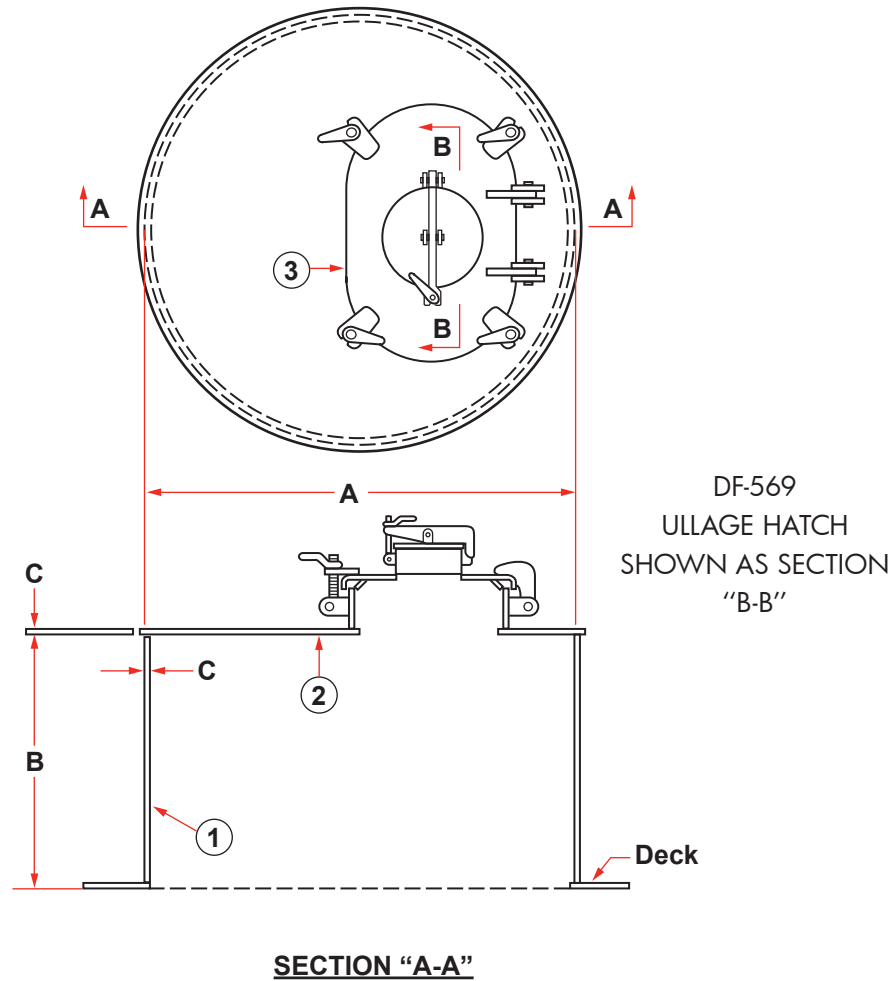
[WWW.ANCHORMARINEHOUSTON.COM](http://WWW.ANCHORMARINEHOUSTON.COM)



**Anchor**  
MARINE & INDUSTRIAL SUPPLY, INC.



# EXPANSION TRUNK



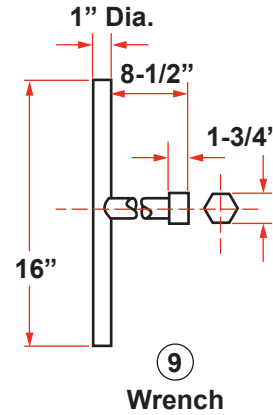
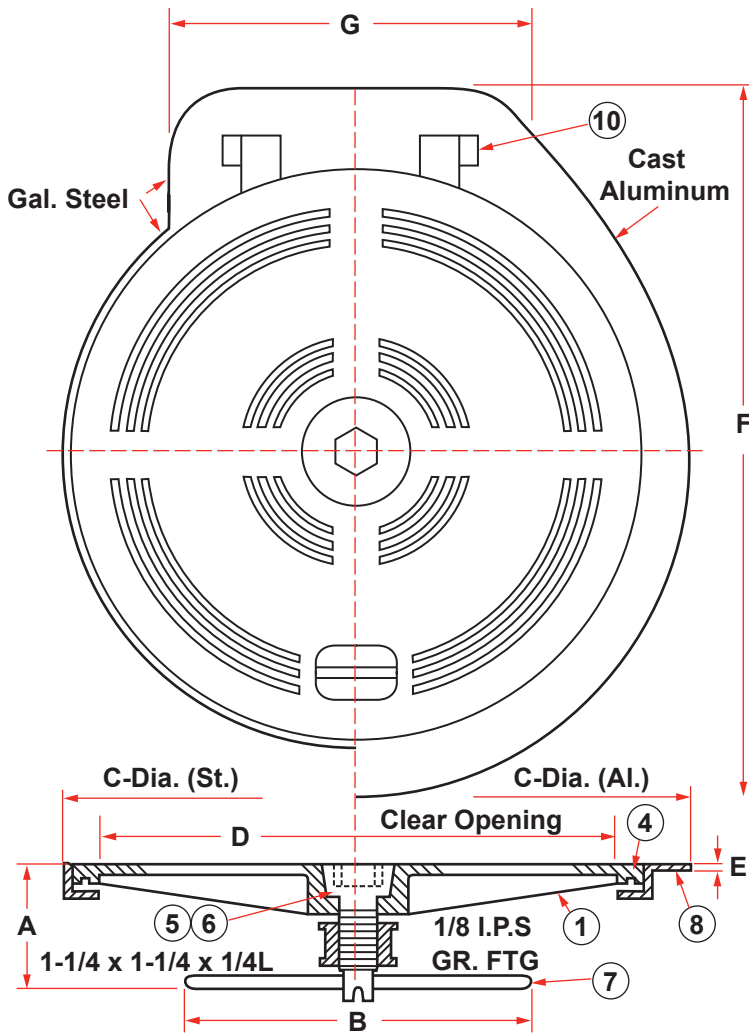
PIECE NO.	DESCRIPTION			MATERIAL
1	COAMING	76171	76171	MILD STEEL
2	COVER	76163	76163	MILD STEEL
3	RAISED HATCH W/ULLAGE HATCH	85316	8214	MILD STEEL

MODEL NO.	PART NO.	SIZE	A	B	C	WT. (LBS.)
AM-449	6238	24 H X 42 Dia W/DF-144	42	24	5/16	520
AM-470	85308	24 H X 42 Dia W/DF-569	42	24	5/16	540

The specification and details described by drawings or text in this literature are subject to change without notice.

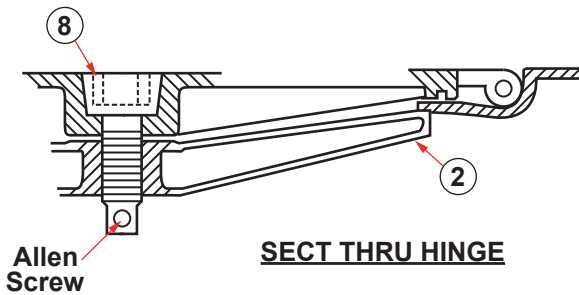


# DOORS/HATCHES



BILL OF MATERIAL		
NO.	DESC.	MAT'L
1	Cover	*
2	Yoke	* 3 arms
3	Bolt	Bronze
4	Gasket	Neoprene
5	Washer	St. Steel
6	Washer	Neoprene
7	Rod-1/2" DIA.	Steel
8	Deck Ring	*
9	Wrench	Galv. Steel
10	Hinge Pins	St. Steel
11	Keeper	*

\* Available 1 M corr. resist aluminum, gal. steel, or aluminum cover with gal. steel ring.



**SECT THRU HINGE**

Weight-lbs.

Dimensions - inches

MODEL NO.	SIZE.	COVER	RING	A	B	C	D	E	F	G
AL.	22"	21	13	5-1/2	12-1/2	28-1/2	22	1/4	30-1/4	14
ST.		63	27			23-3/4				

WEIGHT ARE FOR ALUMINUM - FOR G. STEEL, MANUF. BY 3.0

## HINGED ROUND-DOGGED TYPE

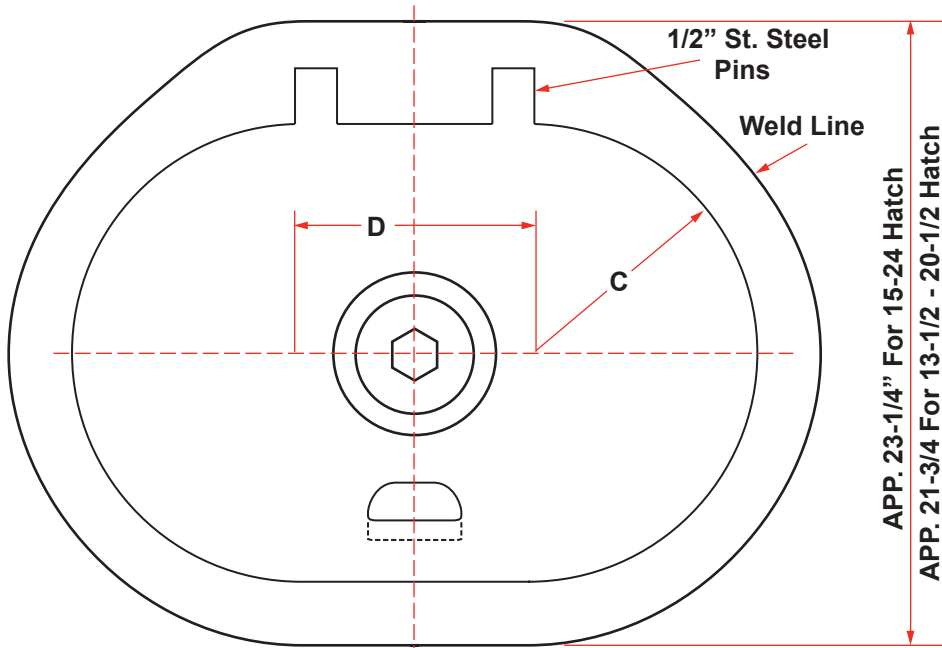
CLEAR OPENING - 22", TYPE "C" POSITIVE LOCKING

DOORS/HATCHES

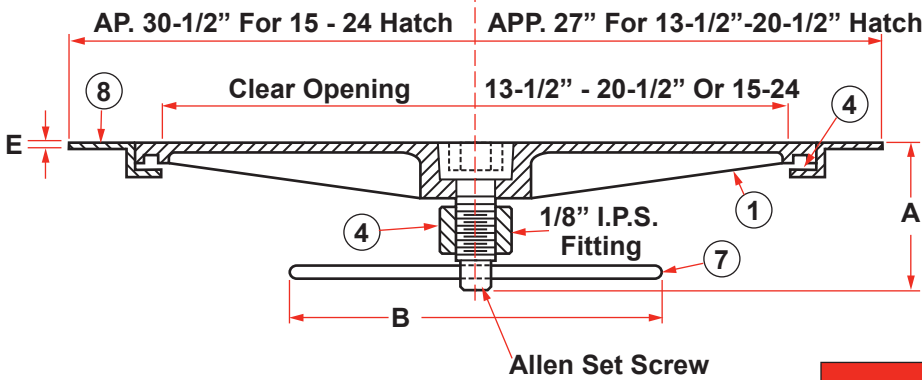




# DOORS/HATCHES

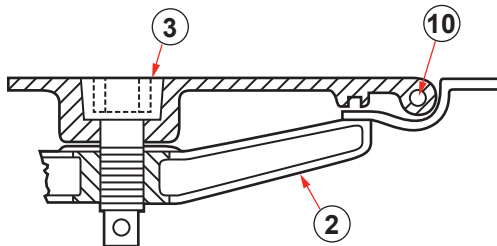


BILL OF MATERIAL		
NO.	DESC.	MAT'L
1	Cover	*
2	Yoke	*
3	Bolt	Bronze
4	Gasket	Neoprene
5	Washer	St. Steel
6	Washer	Neoprene
7	Rod-1/2" ø	Steel
8	Deck Ring	*
9	Wrench	Galv. Steel
10	Hinge Pins	St. Steel



## DIMENSIONS

HATCH SIZE	A	B	C	D	E	F
13-1/2 - 20-1/2	5-1/2	12-1/2	7-3/8	7	1/4	3/8
15 - 24	5-1/2	12-1/2	8-1/2	9	1/4	3/8



SECT THRU HINGE

## HINGED FLUSH TYPE

HINGED OVAL DOGGED TYPE  
13-1/2" - 20-1/2" & 15 - 24 CLEAR OPENING  
TYPE "C" POSITIVE LOCKING

DOORS/HATCHES