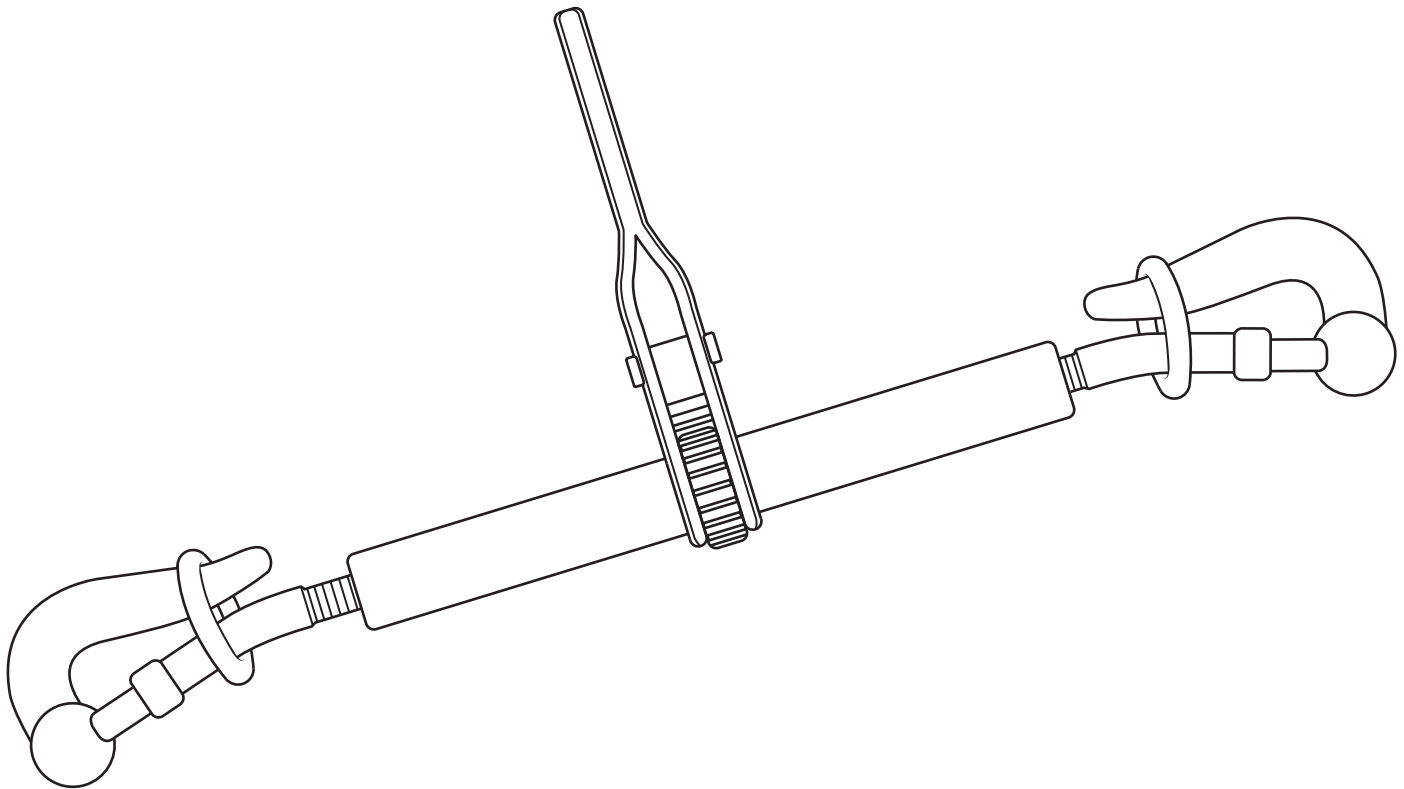




TOWING

PUSH-PULL RATCHETS

**FOR CONSTRUCTION AND INDUSTRIAL
WORKBOATS... BARGES... CONTAINERSHIP LASHINGS**

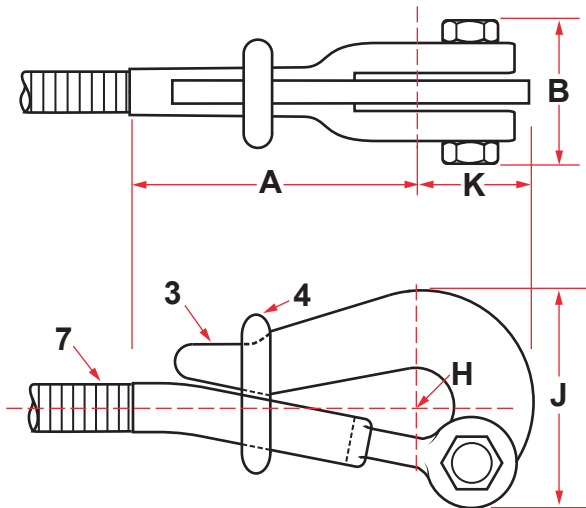


TOWING





VERTICAL & HORIZONTAL LASHINGS



ANGLE-SHANK PELICAN HOOK ASSEMBLY DIMENSIONS AND LOADING

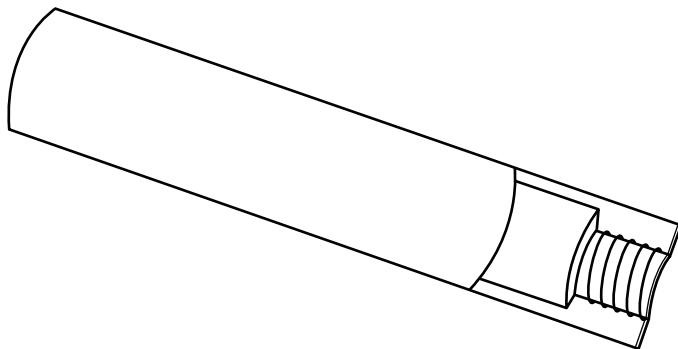
ANGLE SHANK PELICAN HOOK ASSEMBLIES						
SIZE (INCHES)	DIMENSIONS (INCHES)					MINIMUM BREAKING STRENGTH (TONS)
	A	B	H	J	K	
1-1/8	6-1/2	3-5/8	1-5/8	7-1/2	3-3/8	25
1-3/8	8	4	1	6	3-1/4	45

3 - Pelican Hook

7 - Angle Shank Jaw

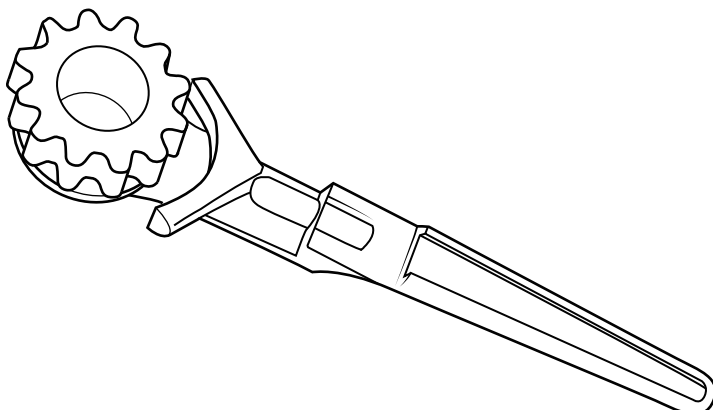
4 - Keeper Link

RATCHET BARREL



This cutaway barrel picture explains one of the differences between the superior Anchor Marine Ratchet and the common. The Anchor Marine ratchet barrel is made from cold-drawn seamless steel tubing instead of welded pipe. It's 50% stronger and provides a lighter ratchet. Anchor Marine ratchet barrels are made for adjustment ranges from 6" to 60", and for screw diameters (Acme or National Coarse) from 1/2" to 2-1/2".

DOUBLE-ACTING HANDLES



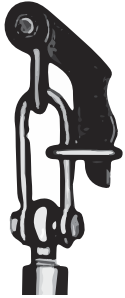
The Anchor Marine Double-Acting Push-Pull Handles have a spring-loaded pawl that assures constant engagement of the pawl in the ratchet sheel (See cutaway illustration). This handle can be used overhead and the pawl will always be in position, which makes it ideal for construction and shipyard uses. Double-acting handles are available in the same sizes and styles as the other Anchor Marine Handles.

TOWING



TOWING

CUSTOM DESIGN YOUR OWN PUSH-PULL RACHETS



SHACKLE-TYPE PELICAN HOOK ASSEMBLY



ANGLE SHANK PELICAN HOOK ASSEMBLY



JAW



JAW WITH LOCKNUT



WELDED LINK PELICAN HOOK ASSEMBLY

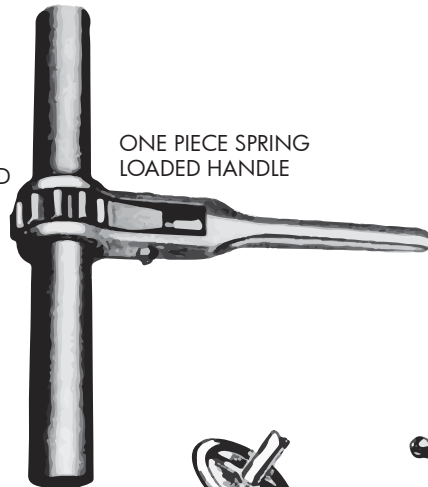


WELDED LINK AND HOOK



SWIVEL OR THREADED SHANK HOOK

RATCHET AND BARREL



ONE PIECE SPRING LOADED HANDLE



HAND SHEEL



VICE TYPE



ALL-STEEL HANDLE



3-PIECE HANDLE



EYE AND SHACKLE



EYE AND LINK



EYE



STUB

If any of the ratchets shown on previous pages do not meet your needs, here's how you can tailor a ratchet for your own application.

Beginning with the plain threaded barrel, choose the diameter to provide strength you need and the length for the takeup you require.

Next, decide which of the five handles shown applies best. Then select by name the two end fittings from the eleven types shown.

Select the amount of work load in pounds or tons you anticipate and the number of ratchets needed. We will send you a quotation promptly.

TOWING

