

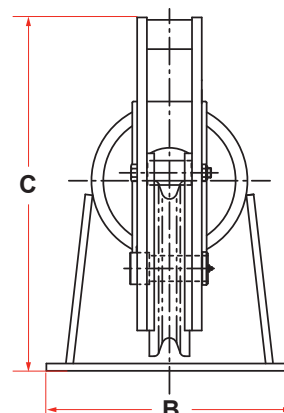
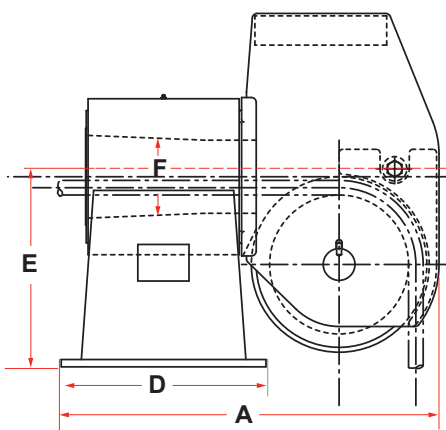


DECK FITTINGS

DECK-MOUNTED BALANCED HEAD FAIRLEADERS



600 SERIES



MODEL NO.	MAX WIRE SIZE	WIRE BREAKING STRENGTH (LBS)	SHEAVE TREAD DIA.	DIMENSIONS (INCHES)						WEIGHT (LBS)
				A	B	C	D	E	F	
MD-610	3/4	58800	8-1/4	23-11/16	16	20-1/8	14-3/4	11	4-1/2	270
MD-612	1	103400	9-3/4	28-3/16	19-1/4	24-5/8	17-3/4	13-1/2	5-5/8	495
MD-614	1-1/4	159800	11-1/4	30-9/16	20	28-1/8	18-1/2	15-1/2	6-5/16	670
MD-618	1-1/2	228000	14-1/4	38-1/8	25-1/4	36-1/4	21	19-1/2	8-1/2	1450
MD-624	2	396000	20	50-1/8	30	44-13/16	27	25-1/2	12	2650
MD-630	2-1/4	494000	24-7/8	56-7/8	40-1/4	60-3/4	27-1/2	31-1/2	13	4800
MD-636	2-1/2	604000	30	63	40	70-1/4	27-1/2	36-1/4	14-1/2	6000
MD-652	3	850000	44	103-1/2	52-3/8	104	44	34-1/2	26-1/2	16500
MD-665	3	850000	55-1/2	115-5/8	52-3/8	117-1/2	44	34-1/2	26-1/2	18800

*Dimensions subject to change without notice

STANDARD FEATURES

- Designed for Breaking Strength of EIPS-IWRC Wire Rope with 90° Wrap on the Sheave and 180° Rotation of Swivelhead
- Cast Steel Sheave with Hardened Rope Groove for Longer Life
- Sealed Grease Lubricated Tapered Roller Bearings in Sheave and Swivelhead
- Weld Down Mounting Base
- Removable Guide Roller
- Epoxy Primer Coating

OPTIONAL FEATURES

- Customized Design to Suit Your Application
- Tail Sheaves / Tail Rollers
- Stainless Steel or Nylon Sheaves
- Bolt Down Mounting Base
- Load Monitoring System
- Three Coat Marine Paint System
- Third Party Certification

DECK FITTINGS

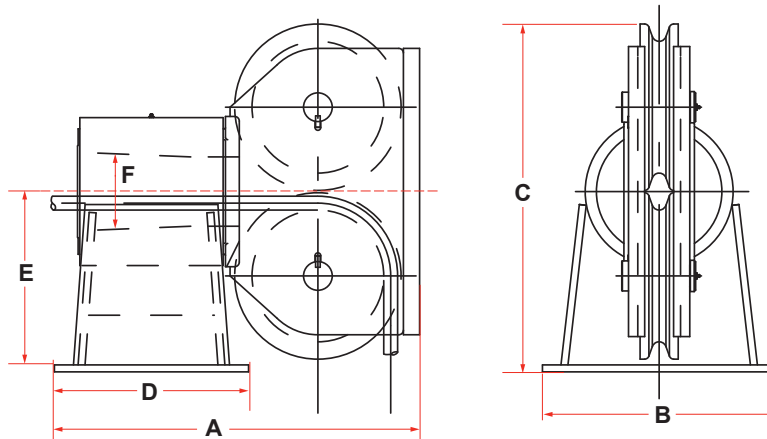




DECK-MOUNTED DOUBLE SHEAVE FAIRLEADERS



2600 SERIES



MODEL NO.	MAX WIRE SIZE	WIRE BREAKING STRENGTH (LBS)	SHEAVE TREAD DIA.	DIMENSIONS (INCHES)						WEIGHT (LBS)
				A	B	C	D	E	F	
MD-2610	3/4	58800	8-1/4	24-11/16	16	22	14-3/4	11	4-1/2	280
MD-2612	1	103400	9-3/4	29-13/16	19-1/4	25	17-3/4	13-1/2	5-5/8	520
MD-2614	1-1/4	159800	11-1/4	31-9/16	20	29	18-1/2	15-1/2	6-5/16	700
MD-2618	1-1/2	228000	14-1/4	39-1/8	25-1/4	37-5/8	21	19-1/2	8-1/2	1500
MD-2624	2	396000	20	51-1/8	30	49-5/8	27	25-1/2	12	2800
MD-2630	2-1/4	494000	24-7/8	57-7/8	40-1/4	61-5/8	27-1/2	31-1/2	13	5020
MD-2636	2-1/2	604000	30	64	40	72-5/8	27-1/2	36-1/4	14-1/2	6270
MD-2652	3	850000	44	104	52-3/8	105-5/8	44	34-1/2	26-1/2	17200
MD-2665	3	850000	55-1/2	117	52-3/8	130-5/8	44	34-1/2	26-1/2	19650

*Dimensions subject to change without notice

STANDARD FEATURES

- Designed for Breaking Strength of EIPS-IWRC Wire Rope with 90° Wrap on the Sheave and 180° Rotation of Swivelhead
- Cast Steel Sheaves with Hardened Rope Grooves for Longer Life
- Sealed Grease Lubricated Tapered Roller Bearings in Sheaves and Swivelhead
- Weld Down Mounting Base
- Removable Guide Roller
- Epoxy Primer Coating

OPTIONAL FEATURES

- Customized Design to Suit Your Application
- Tail Sheaves / Tail Rollers
- Stainless Steel or Nylon Sheaves
- Bolt Down Mounting Base
- Load Monitoring System
- Three Coat Marine Paint System
- Third Party Certification

DECK FITTINGS

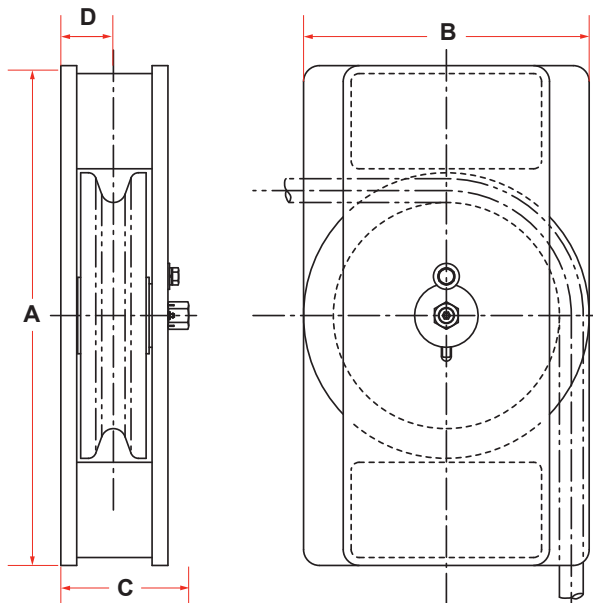


DECK FITTINGS

HORIZONTAL GUIDE SHEAVES



1200 SERIES



MODEL NO.	MAX WIRE SIZE	WIRE BREAKING	SHEAVE TREAD DIA.	DIMENSIONS (INCHES)				WEIGHT (LBS)
		STRENGTH (LBS)		A	B	C	D	
MD-1210	3/4	58800	8-1/2	17	11	5-1/2	2-3/16	85
MD-1212	1	89800	10	19	12	6-1/2	2-3/4	150
MD-1214	1-1/4	159800	11-7/16	21	14	7	2-3/4	200
MD-1218	1-1/2	228000	14-1/4	31-1/2	18	8	3-5/16	450
MD-1224	2	396000	20	43	25	8-1/2	3-5/8	975
MD-1230	2-1/4	494000	24-7/8	45	30-5/8	11-1/2	4-1/8	1500
MD-1236	2-1/2	604000	30	55	37	13	5-3/4	2800
MD-1252	3	850000	44	83-1/2	53	14	6-1/4	6000
MD-1268	3-1/4	1223775	59-1/16	100	70	17	7	8000

*Dimensions subject to change without notice

STANDARD FEATURES

- Designed for Breaking Strength of EIPS-IWRC Wire Rope with 90° Wrap on the Sheave
- Cast Steel Sheave with Hardened Rope Groove for Longer Life
- Sealed Grease Lubricated Bronze Bearings in Sheave
- Weld Down Mounting Base
- Epoxy Primer Coating

OPTIONAL FEATURES

- Customized Design to Suit Your Application
- Multiple Sheaves
- Stainless Steel or Nylon Sheaves
- Bolt Down Mounting Base
- Load Monitoring System
- Three Coat Marine Paint System
- Third Party Certification

DECK FITTINGS

300

HOUSTON (713) 644-1183 FAX (713) 644-1185 TOLL FREE 1 (800) 233-8014 EMAIL Sales@AnchorMarineHouston.com

WWW.ANCHORMARINEHOUSTON.COM



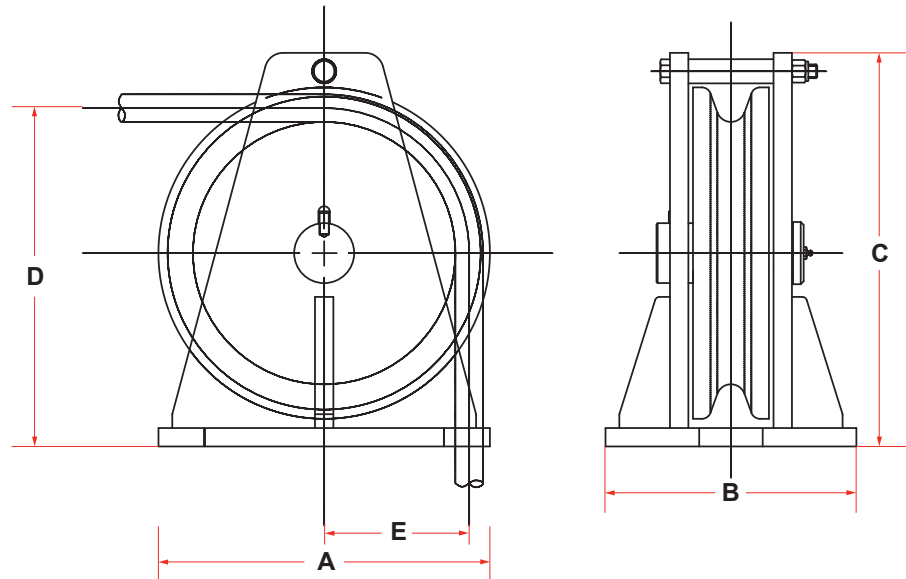
Anchor
MARINE & INDUSTRIAL SUPPLY, INC.



VERTICAL GUIDE SHEAVES



1100 SERIES



MODEL NO.	MAX WIRE SIZE	WIRE BREAKING STRENGTH (LBS)	SHEAVE TREAD DIA.	DIMENSIONS (INCHES)					WEIGHT (LBS)
				A	B	C	D	E	
MD-1110	3/4	58800	8-1/4	11	9	20-1/8	10-1/4	4-1/2	65
MD-1112	1	103400	9-3/4	13	11-1/2	14-3/4	12-1/4	5-3/8	105
MD-1114	1-1/4	159800	11-1/4	16	12	17-1/2	14-1/2	6-1/4	185
MD-1118	1-1/2	228000	14-1/4	18	13-5/8	21-3/8	18-3/8	7-7/8	340
MD-1124	2	396000	20	24	18	29	25-1/4	11	625
MD-1130	2-1/4	494000	24-7/8	30	23	35-3/8	31-1/16	30-15/16	1250
MD-1136	2-1/2	604000	30	36	27	43-1/2	37-3/4	16-1/4	3100
MD-1152	3	850000	44	52	39	60	53	23-1/2	4900
MD-1168	3-1/4	1223775	59-1/16	78-1/16	46	73-5/8	70-3/8	31-1/16	6020

*Dimensions subject to change without notice

STANDARD FEATURES

- Designed for Breaking Strength of EIPS-IWRC Wire Rope with 90° Wrap on the Sheave
- Cast Steel Sheave with Hardened Rope Groove for Longer Life
- Sealed Grease Lubricated Tapered Roller Bearings in Sheave
- Weld Down Mounting Base
- Removable Guide Roller
- Epoxy Primer Coating

OPTIONAL FEATURES

- Customized Design to Suit Your Application
- Multiple Sheaves
- Stainless Steel or Nylon Sheaves
- Bolt Down Mounting Base
- Load Monitoring System
- Three Coat Marine Paint System
- Third Party Certification