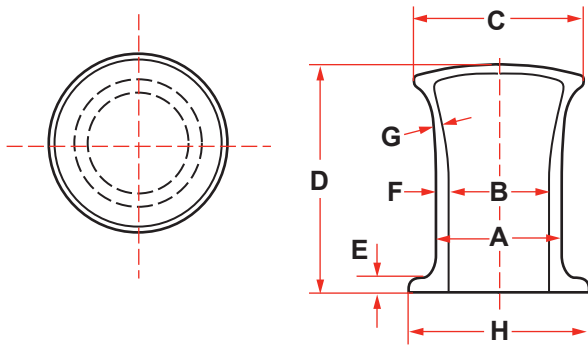


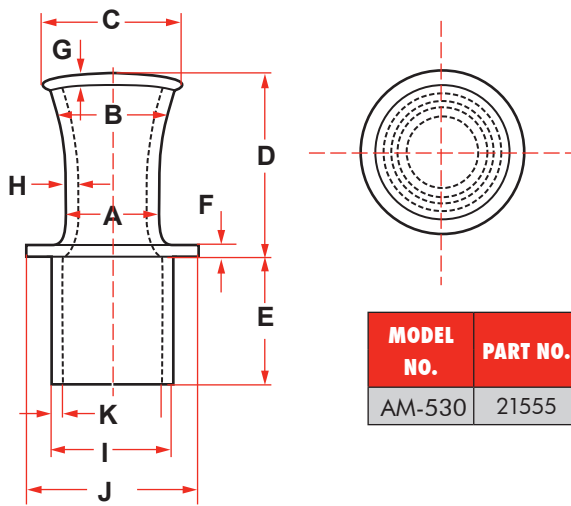


# DECK FITTINGS



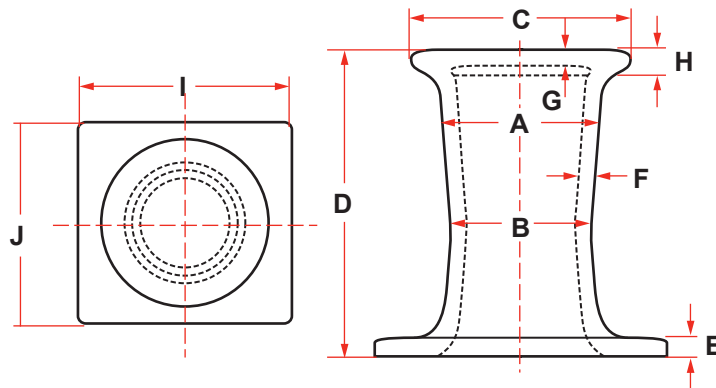
## CAST STEEL SINGLE BITT

MODEL NO.	PART NO.	SIZE	DIMENSIONS (INCHES)								WEIGHT (LBS)
			A	B	C	D	E	F	G	H	
DF-SB10	20230	10	10	8	13-1/2	18	1	1	3/4	14	190



## CAST STEEL SINGLE BITT THRU DECK

MODEL NO.	PART NO.	SIZE	DIMENSIONS (INCHES)										WEIGHT (LBS)	
			A	B	C	D	E	F	G	H	I	J		K
AM-530	21555	8	8	10-1/2	12	16	11	1	1	1	10-1/4	14	3/4	260



## CAST STEEL SINGLE BITT

MODEL NO.	PART NO.	SIZE	DIMENSIONS (INCHES)										WEIGHT (LBS)
			A	B	C	D	E	F	G	H	I	J	
AM-588		8	8	7	11	14-3/4	1-1/4	1	3/4	1-1/2	14	14	160

DECK FITTINGS