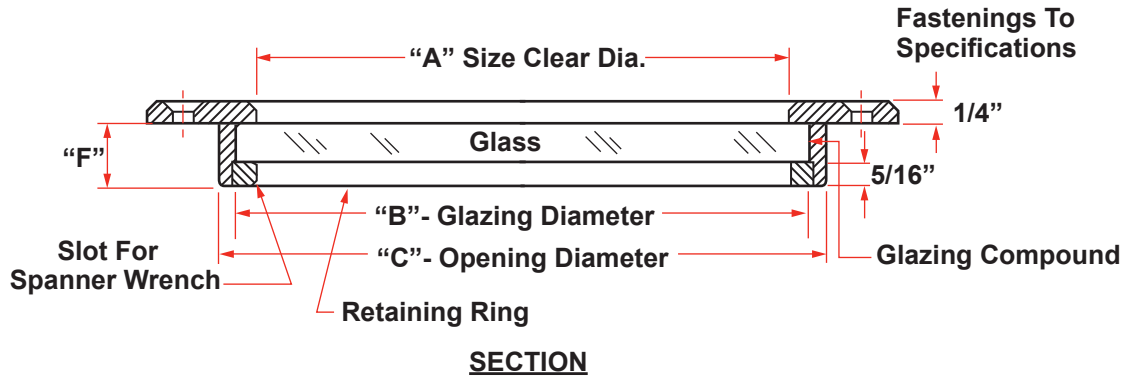
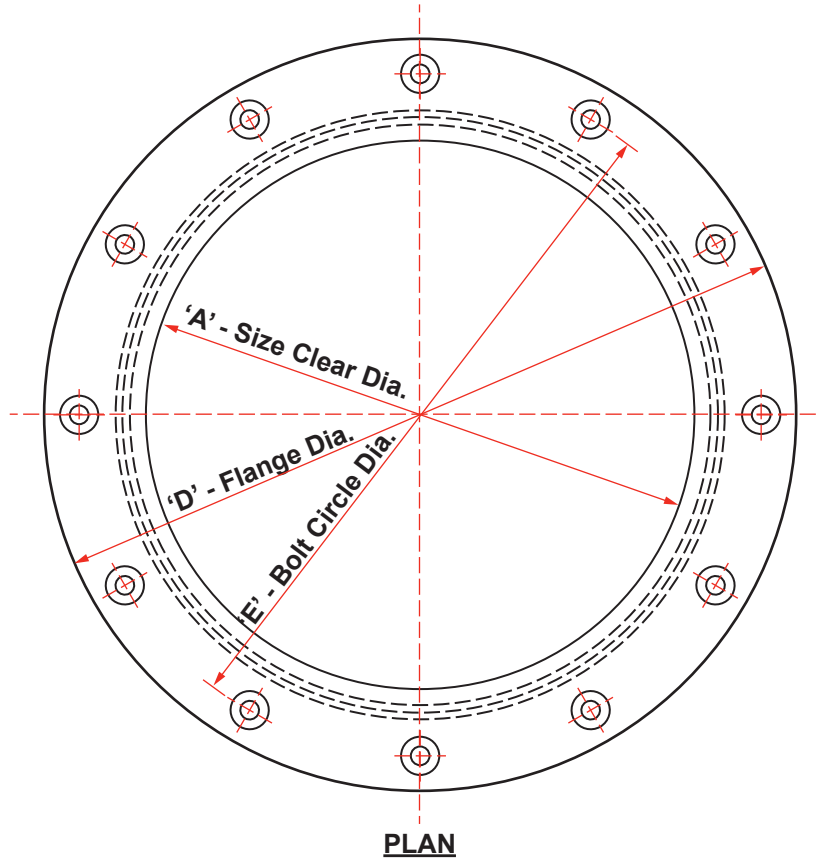




PLAIN FIXED LIGHT DRAWING NO. 500

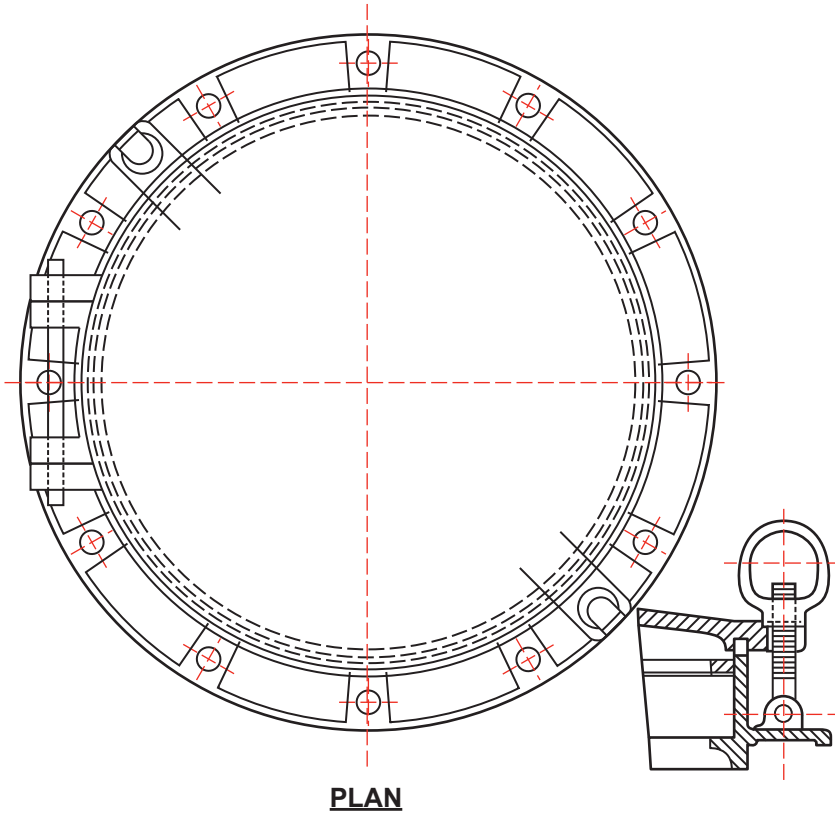


| DIMENSION SCHEDULE | | | | | |
|--------------------|---------|----------|----------|----------|---------|
| A | B | C | D | E | F |
| 10" | 10-1/2" | 11-1/16" | 13-1/4" | 12-1/4" | 1-1/16" |
| 12" | 12-1/2" | 13" | 15-3/16" | 14-3/16" | 1-1/4" |
| 16" | 16-1/2" | 17" | 19-1/2" | 18-1/2" | 1-3/8" |

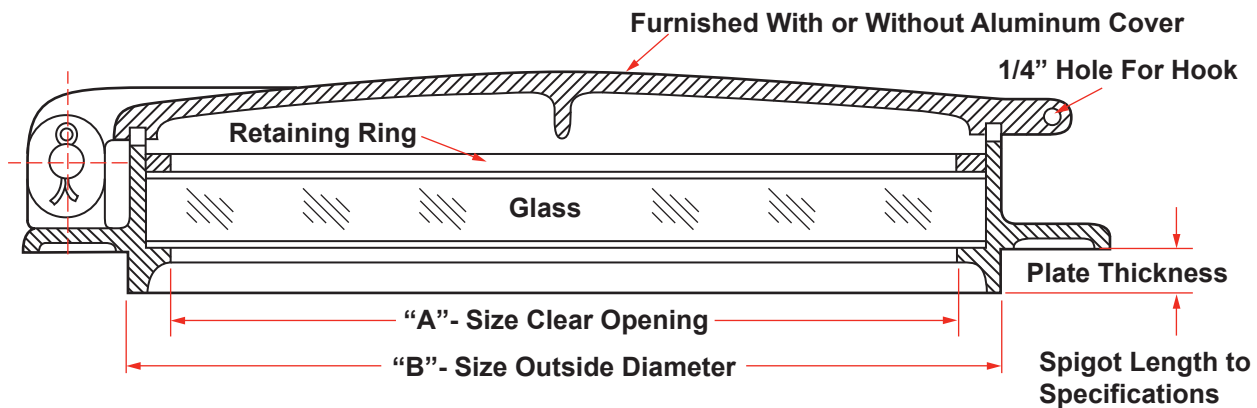
DOORS/HATCHES



REVERSE FIXED LIGHT DRAWING NO. 600



PLAN



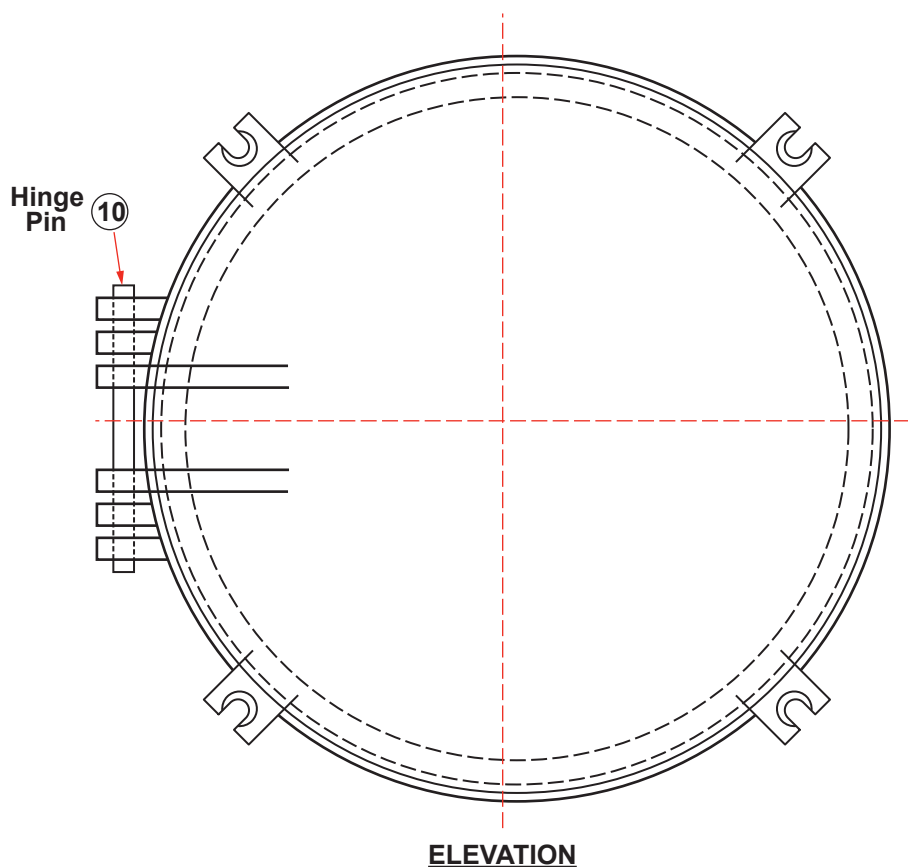
| DIMENSION SCHEDULE | | | | |
|--------------------|-----------------|------------------|-----------|-----------|
| A-SIZE CLR. OP. | SPIGOT MAX. LT. | B-SIZE O.S. DIA. | OVAL DIA. | BOLT HOLE |
| 10" | 1/2" | 11" | 13-1/4" | 5/16" |
| 12" | 1/2" | 13-1/8" | 15-7/8" | 3/8" |
| 16" | 1/2" | 17-1/4" | 20-3/8" | 1/2" |

DOORS/HATCHES



DOORS/HATCHES

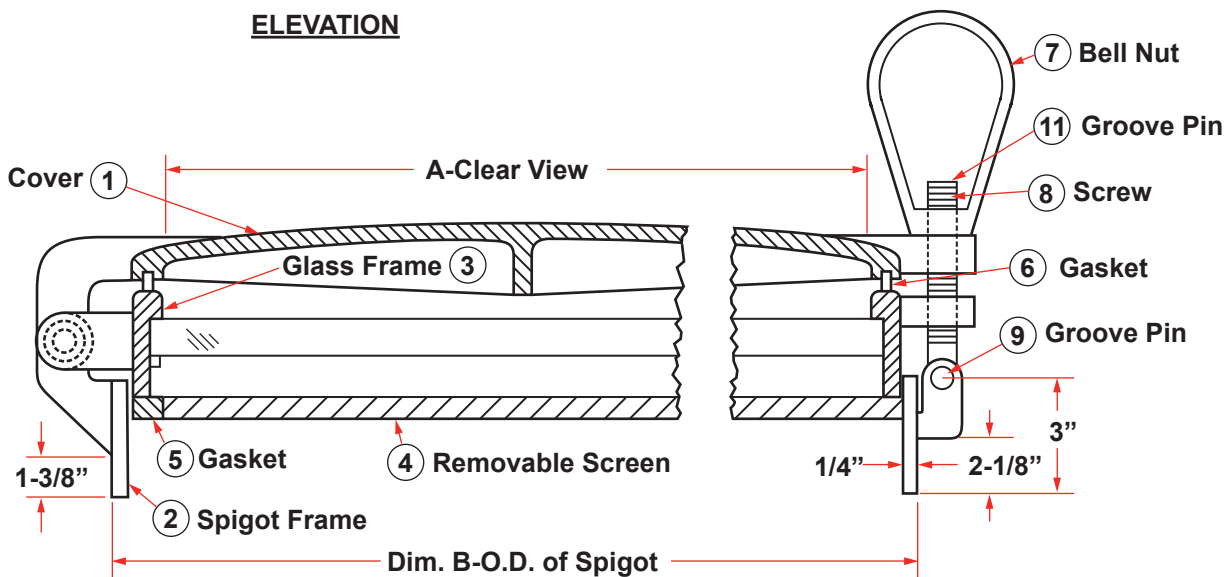
STEEL BACK PORTLIGHT - WELD ON DRAWING NO.700



SCHEDULE OF MATERIAL

| PC. NO. | MATERIAL |
|---------|-----------|
| 1 | ALUMINUM |
| 2 | STEEL |
| 3 | BRASS |
| 4 | BRASS |
| 5 | NEOPRENE |
| 6 | NEOPRENE |
| 7 | BRASS |
| 8 | BRASS |
| 9 | STAINLESS |
| 10 | BRASS |
| 11 | STAINLESS |

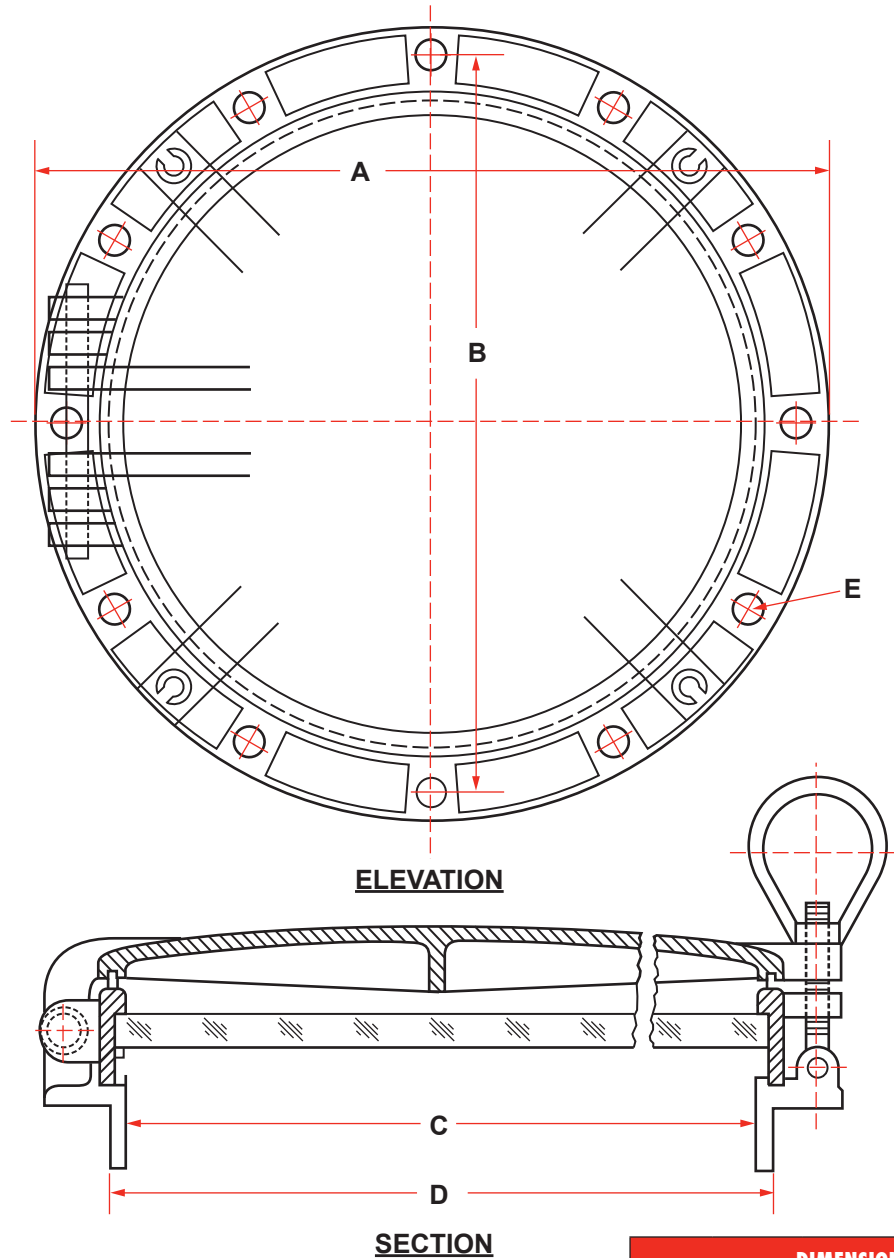
| DIMENSION SCHEDULE | | | | |
|--------------------|---------|---------|---------|---------|
| SIZE | 12 | 14 | 16 | 18 |
| A | 12" | 14" | 16" | 18" |
| B | 13-1/2" | 15-1/2" | 17-1/2" | 19-1/2" |



DOORS/HATCHES



PORTLIGHT - BOLT ON DRAWING NO. 800



| DIMENSION SCHEDULE | | | | | |
|--------------------|---------|---------|---------|---------|---------|
| SIZE | 10 | 12 | 14 | 16 | 18 |
| A | 14-1/4" | 16" | 18" | 20-3/8" | 22-3/4" |
| B | 12-3/4" | 14-3/4" | 17" | 18-7/8" | 21-1/8" |
| C | 10" | 12" | 14" | 16" | 18" |
| D | 10-3/8" | 12-3/8" | 14-3/8" | 16-1/2" | 18-1/2" |
| E | 1/2" | 1/2" | 1/2" | 1/2" | 1/2" |

DOORS/HATCHES