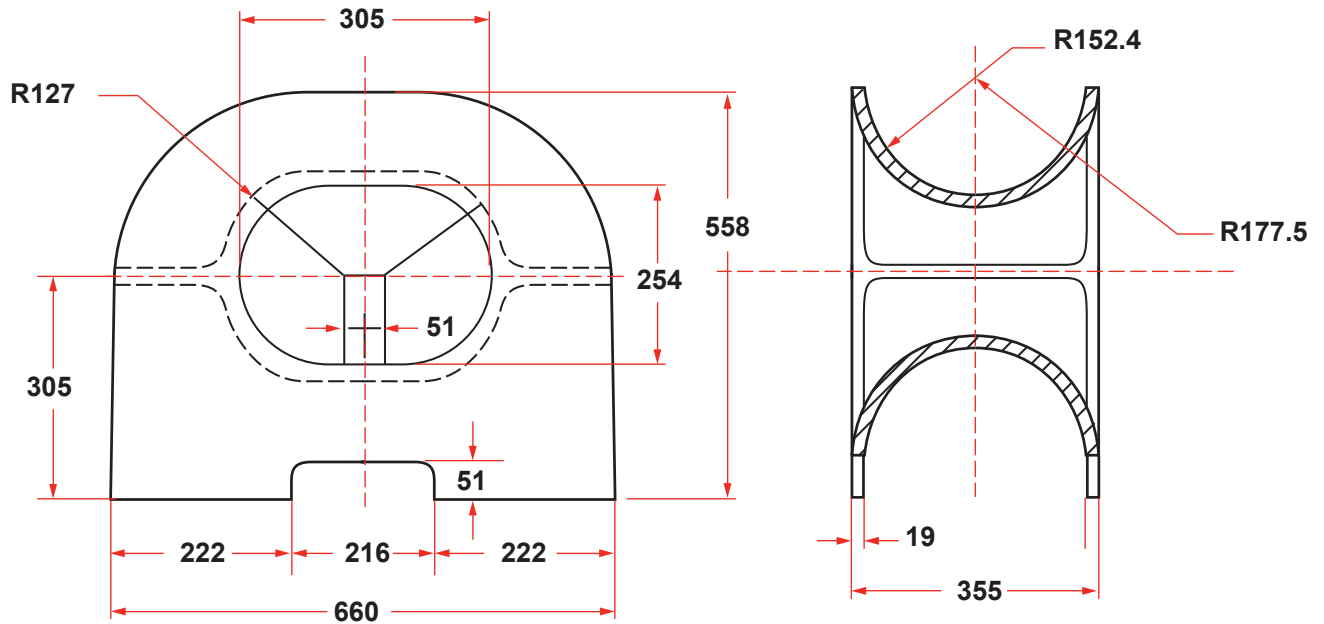


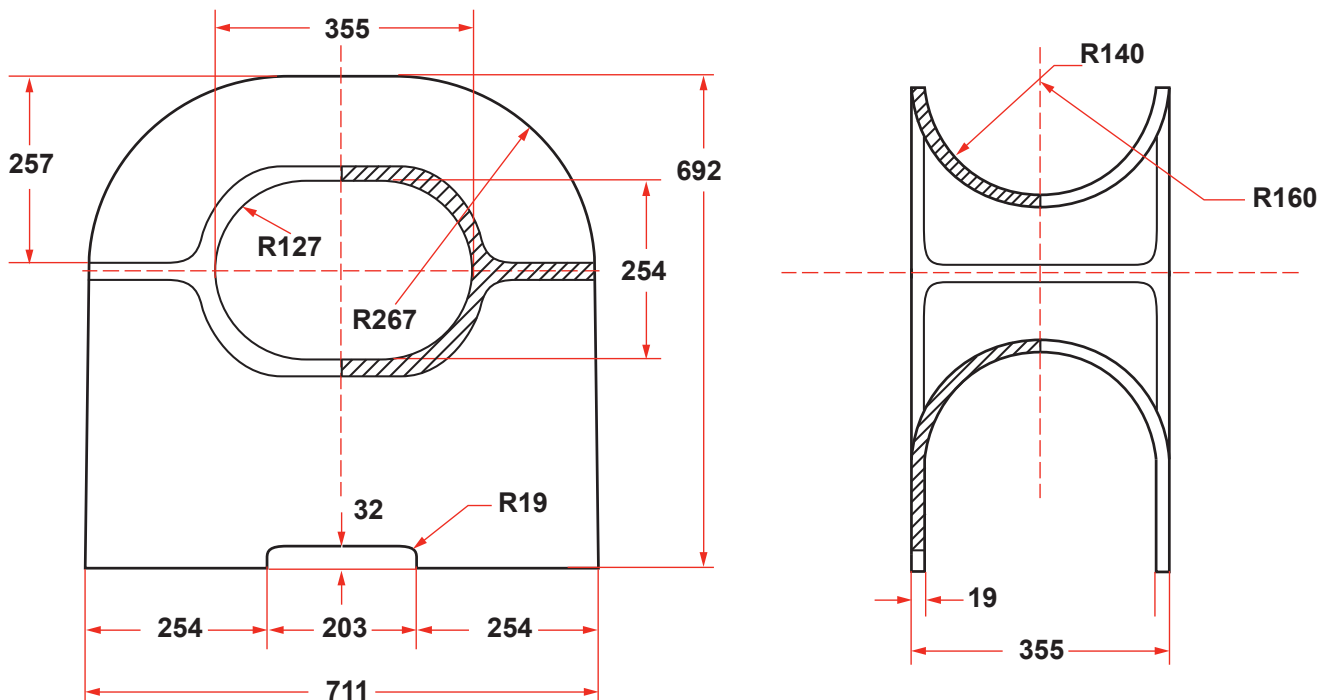


DECK FITTINGS

CHOCKS - DECK MOUNTED, SIZE 10" X 12"



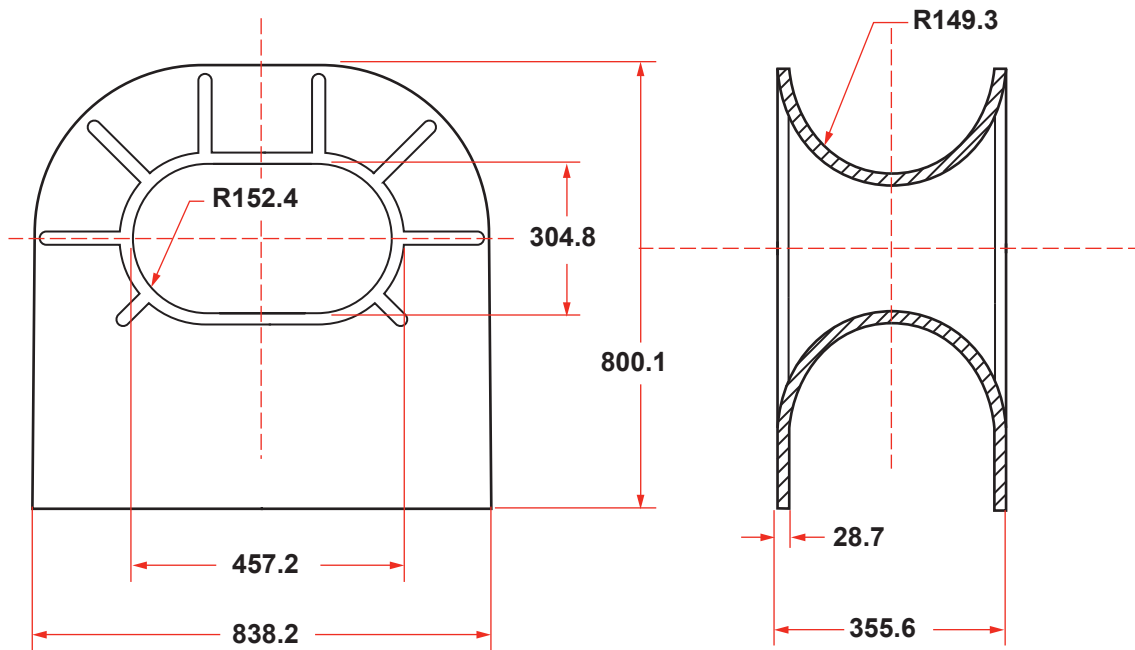
CHOCKS - DECK MOUNTED, SIZE 10" X 14"



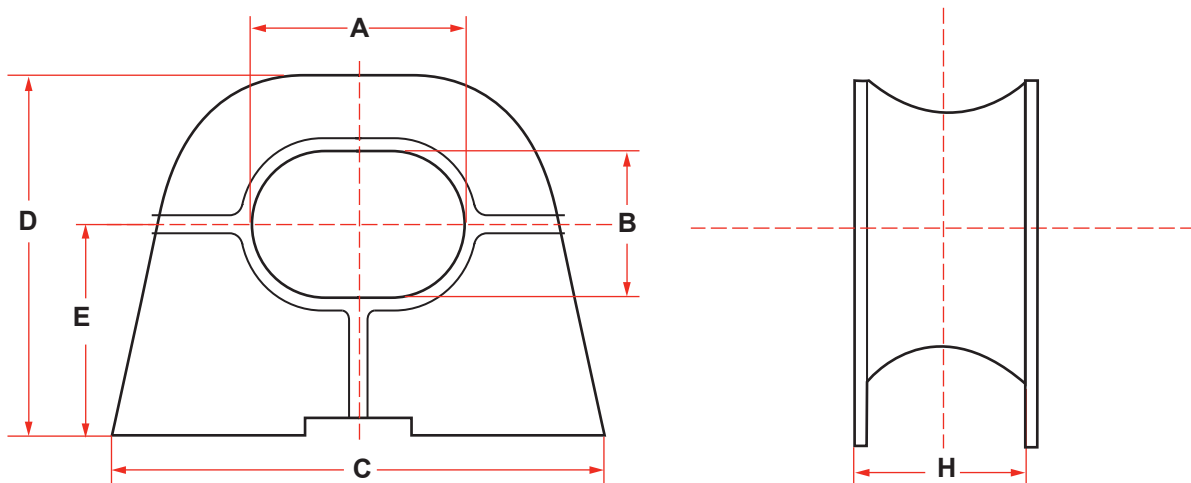
DECK FITTINGS



CHOCKS - DECK MOUNTED, SIZE 12" X 18"



CHOCKS - DECK MOUNTED, TYPE EU SIZES 10" X 12" - 18" X 24"



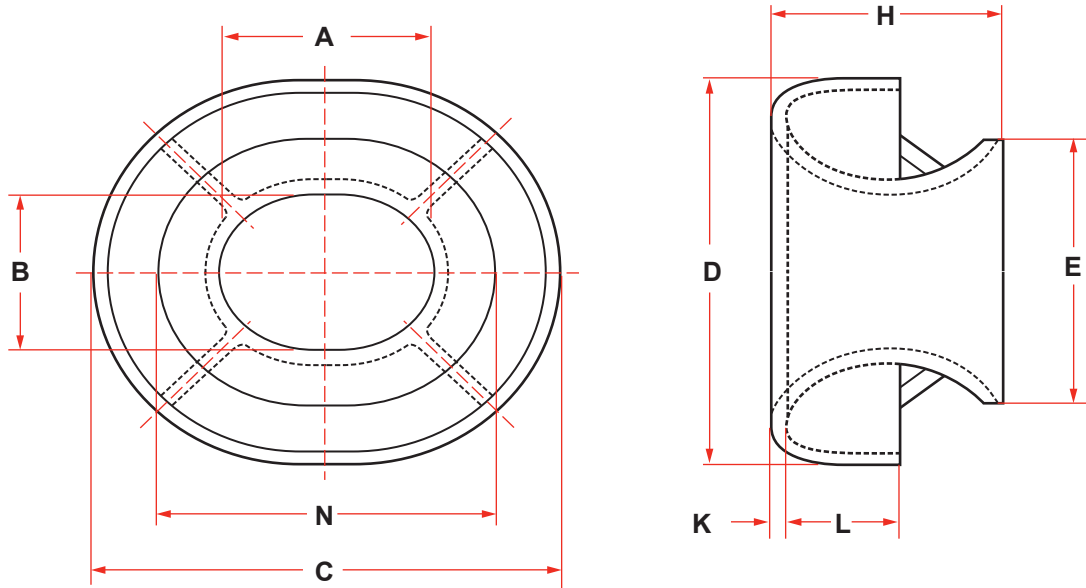
| NOMINAL SIZE | DIMENSIONS (MM) | | | | | | MASS (KG) |
|--------------|-----------------|-----|------|------|-----|-----|-----------|
| | A | B | C | D | E | H | |
| 315 x 250 | 315 | 250 | 815 | 620 | 365 | 380 | 230 |
| 425 x 280 | 425 | 280 | 1075 | 785 | 450 | 500 | 378 |
| 600 x 315 | 600 | 315 | 1360 | 865 | 507 | 560 | 598 |
| 600 x 450 | 600 | 450 | 1360 | 1000 | 575 | 560 | 655 |
| 600 x 450 | 600 | 450 | 1560 | 1200 | 675 | 760 | 780 |

DECK FITTINGS



DECK FITTINGS

BULWARK MOUNTED PANAMA CHOCK



| DIMENSIONS (MM) | | | | | | | | MASS (KG) |
|-----------------|------|------|------|-----|----|-----|------|-----------|
| A X B | C | D | E | H | K | L | N | |
| 315 X 250 | 695 | 630 | 432 | 342 | 22 | 168 | 497 | 198 |
| 425 X 280 | 925 | 780 | 516 | 450 | 26 | 224 | 661 | 358 |
| 600 X 315 | 1160 | 875 | 571 | 504 | 30 | 250 | 866 | 547 |
| 600 X 450 | 1160 | 1010 | 706 | 504 | 30 | 250 | 866 | 629 |
| 600 X 450 | 1360 | 1160 | 1060 | 504 | 30 | 250 | 1260 | 813 |

DECK FITTINGS

316

HOUSTON (713) 644-1183
 FAX (713) 644-1185
 TOLL FREE 1 (800) 233-8014
 EMAIL Sales@AnchorMarineHouston.com

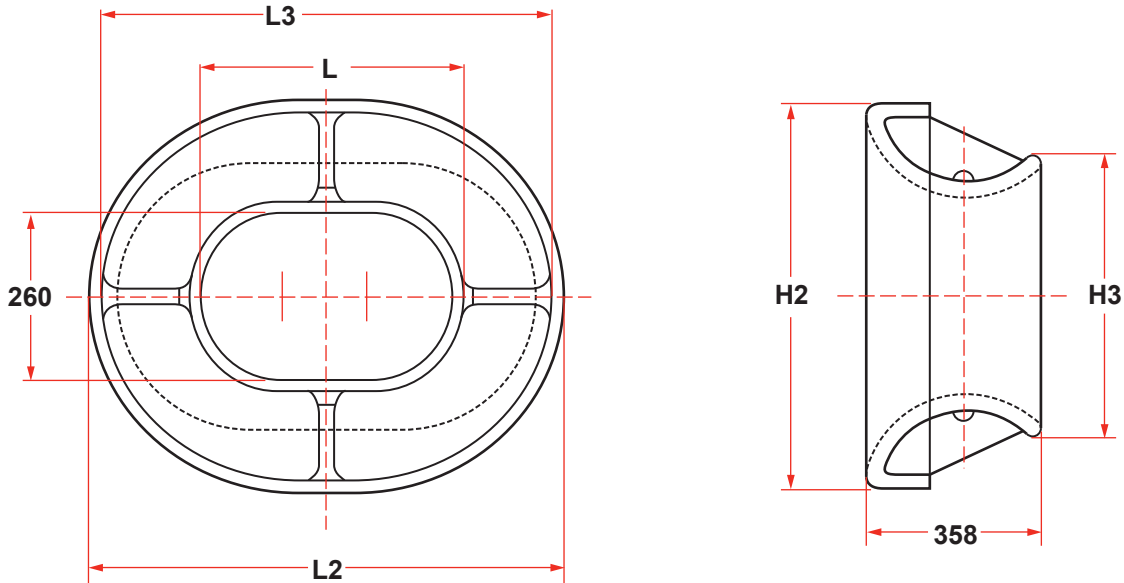
WWW.ANCHORMARINEHOUSTON.COM



Anchor
MARINE & INDUSTRIAL SUPPLY, INC.



BULWARK MOUNTED PANAMA CHOCK



| DIMENSIONS (MM) | | | | | | MASS (KG) |
|-----------------|-----|-----|-----|-----|-----|-----------|
| NOMINAL SIZE | L | L2 | L3 | H2 | H3 | |
| 310 | 310 | 734 | 652 | 684 | 462 | 276 |
| 360 | 360 | 788 | 701 | 688 | 464 | 305 |
| 400 | 400 | 832 | 750 | 692 | 470 | 344 |
| 450 | 450 | 888 | 802 | 696 | 474 | 385 |
| 500 | 500 | 940 | 854 | 700 | 478 | 422 |

DECK FITTINGS