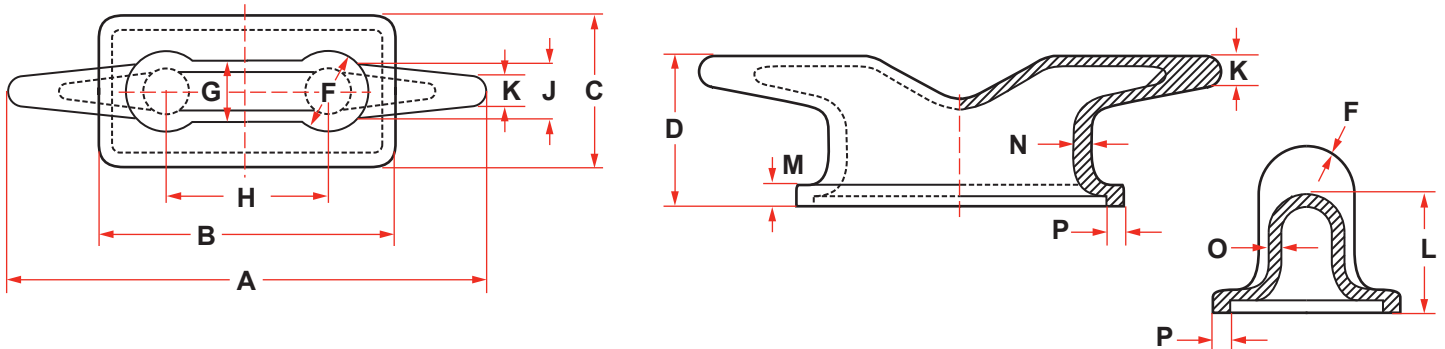




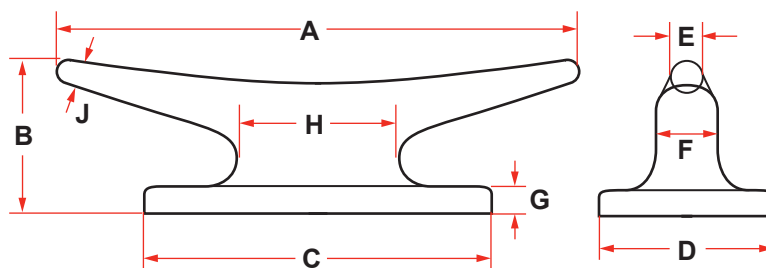
DECK FITTINGS

AMERICAN MARINE STANDARD CLEATS



DIMENSIONS (INCHES)														PATTERN NO.	WEIGHT (LBS)
A	B	C	D	F	G	H	J	K	L	M	N	O	P		
8	6	4-1/2	3	1-1/2	1-1/4	3	1-1/4	1/2	2	1/2	5/8	1/2	1/2	17002	12
10	6-3/4	5	3-1/4	1-3/4	1-3/8	3-1/2	1-3/8	5/8	2-1/4	1/2	5/8	1/2	1/2	17190	14
12	7-1/2	5-1/2	3-1/2	2	1-1/2	4-1/2	1-1/2	3/4	2-1/2	5/8	5/8	1/2	5/8	17295	16
16	10-1/2	7-1/8	5	2-1/2	2	5-1/4	2	7/8	3-1/2	1	7/8	9/16	5/8	17300	32
20	13	6-1/4	6	3-1/2	2-1/2	6-1/2	2-1/4	1-1/8	4-1/2	1-1/8	1	5/8	3/4	4740	48
24	15-1/2	9-1/2	7-1/4	4	3	8	3	1-3/8	5-1/4	1-1/4	1-1/8	11/16	7/8	5353	65
30	19	11-1/4	8	5	3-1/2	10	3-1/2	1-3/4	6-1/2	1-3/8	1-1/4	3/4	1	4732	120
36	22-1/2	12-1/4	10-1/2	6	4-1/2	12	4	2	7-1/2	1-1/2	1-3/8	13/16	1-1/8	4742	193
42	26	13-1/4	12	7	5-1/4	14	4-1/2	2-3/8	8-1/2	1-5/8	1-1/2	7/8	1-1/4	4733	285
48	29-1/2	15-1/4	14	8	6	17	5-1/2	2-3/4	9-1/2	1-3/4	1-5/8	15/16	1-3/8	16632	315
54	33-1/2	16-1/2	15-1/2	9	6-1/2	18	6	3	11	2	1-3/4	1	1-1/2	16690	500

CLEATS



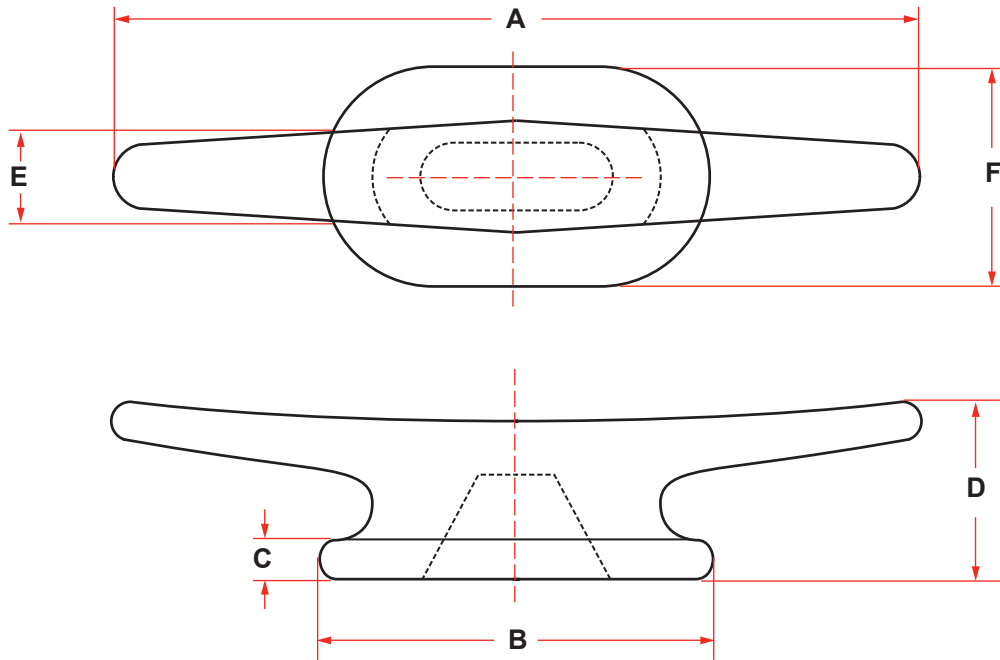
DIMENSIONS (INCHES)								
A	B	C	D	E	F	G	H	J
8	3	5	3	5/8	1-1/4	1/2	3	5/8
12	3-1/2	8	4	5/8	1-3/8	9/16	3-3/4	5/8
14	4	8	4-1/2	3/4	2	3/4	4-1/8	3/4
16	4-1/2	8	5	7/8	2-1/2	7/8	4-1/2	7/8
18	5	9	5-1/2	1	3	7/8	4-7/8	1

DECK FITTINGS



DECK FITTINGS

WELD ON STEEL CLEATS



ASTM A27 GRADE 70-36 CAST STEEL

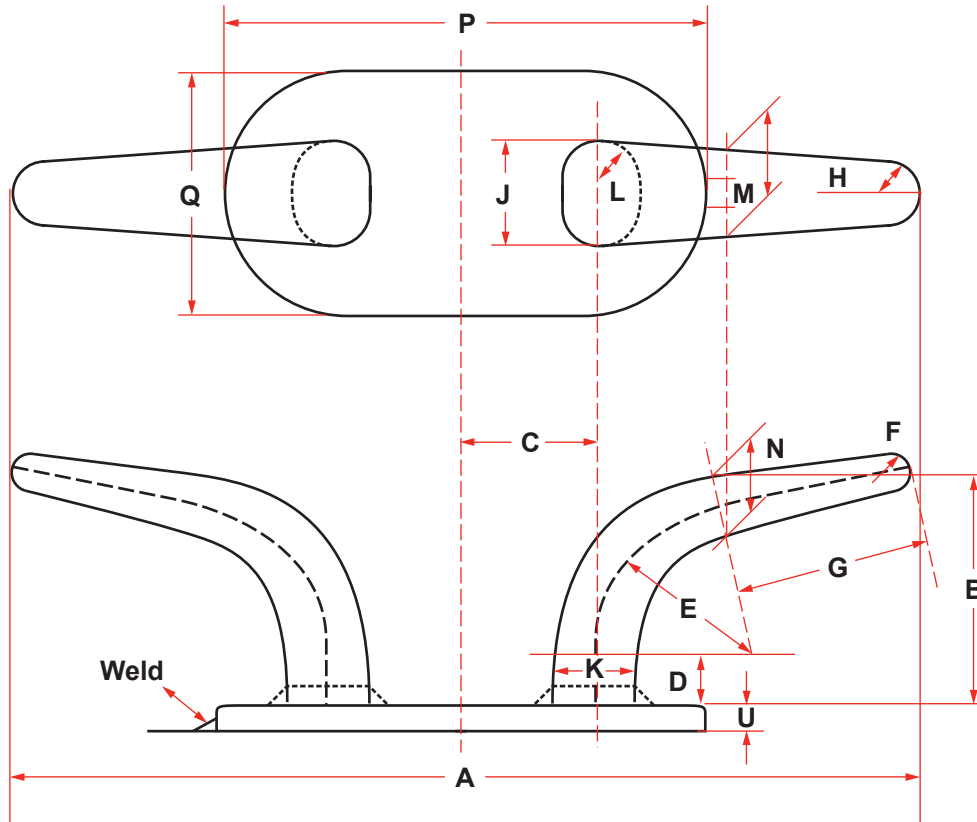
CLEAT SIZE (INCHES)	DIMENSIONS (MM)						WEIGHT (LBS)
	A	B	C	D	E	F	
8	8.00	4.40	0.35	1.70	1.25	2.14	3.00
10	10.00	5.13	0.40	2.24	1.42	2.53	4.30
12	12.00	5.55	0.55	2.75	1.70	3.50	8.00
14	14.00	7.00	0.53	3.20	2.13	4.00	13.00
16	16.00	8.25	0.75	3.50	2.13	4.50	17.00
18	18.00	9.25	0.85	4.26	2.63	4.75	24.00

DECK FITTINGS





HORN CLEATS - STEEL



DIMENSIONS (INCHES)															
A	B	C	D	E	F	G	H	J	K	L	M	N	P	Q	U
8	2	1	1/2	1-1/4	5/32	1-15/16	5/32	11/16	11/16	-	9/16	9/16	4	2	1/4
10	2-5/8	1-1/2	1/2	1-3/4	3/16	2-5/32	3/8	1-1/4	7/8	7/16	1-1/6	11/16	5-3/8	2-3/4	5/16
12	3-1/4	1-3/4	3/4	2	3/16	2-23/32	7/16	1-5/8	1-1/8	9/16	1-3/8	7/8	6-3/8	3-1/4	3/8
16	4	2-5/8	1	2-1/2	1/4	3-7/8	9/16	2	1-1/4	5/8	1-3/4	1	8-1/4	4	1/2
18	4-1/2	2-5/8	1-1/8	2-3/8	5/16	4-11/16	5/8	2-1/2	1-1/2	3/4	2-1/8	1-1/8	9-1/8	5	5/8
20	5	2-3/4	1-1/4	2-5/8	5/16	5-3/8	3/4	2-3/4	1-5/8	13/16	2-3/8	1-1/4	9-7/8	5-1/2	5/8

DECK FITTINGS