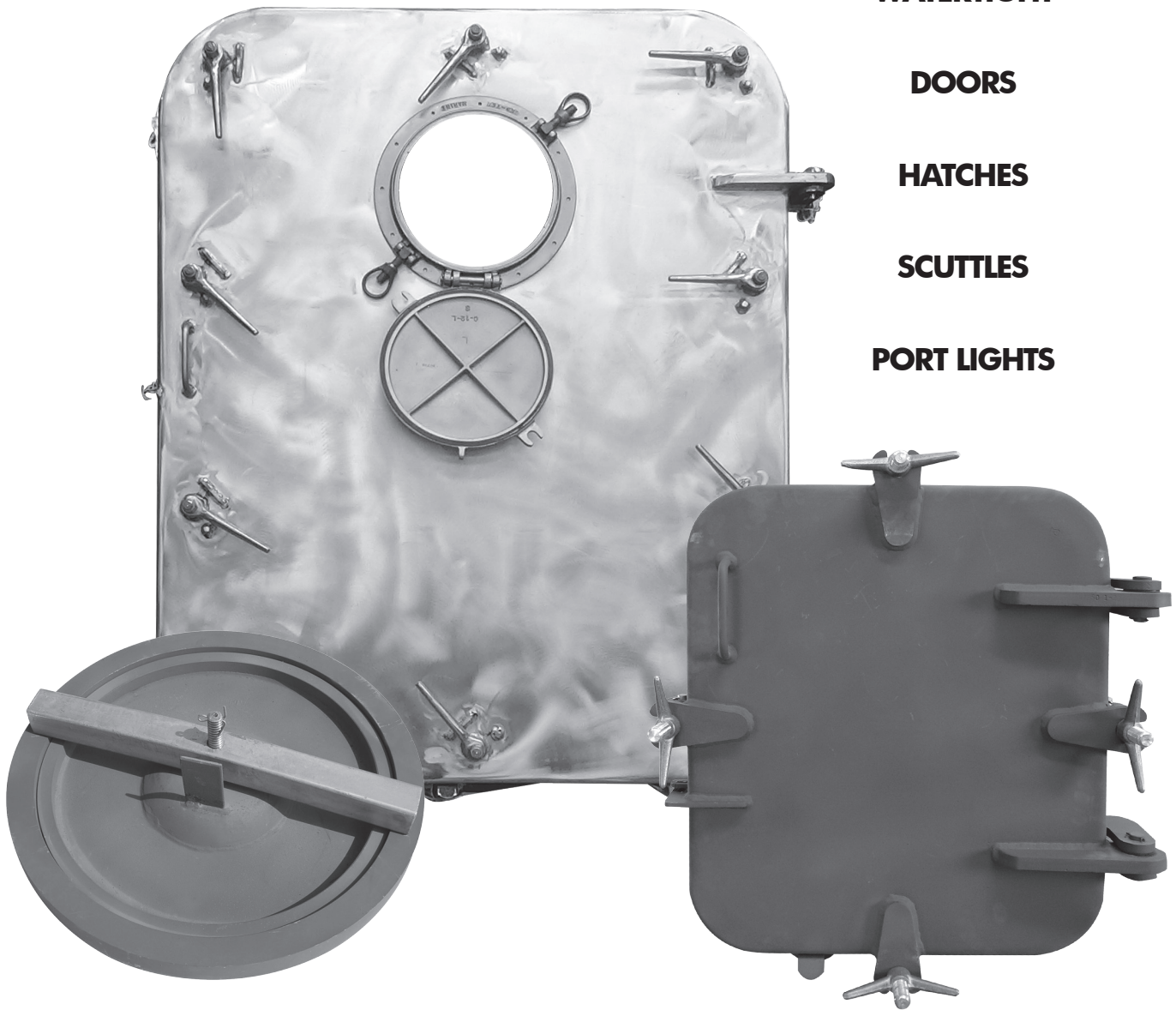




# DOORS/HATCHES



**WATERTIGHT**

**DOORS**

**HATCHES**

**SCUTTLES**

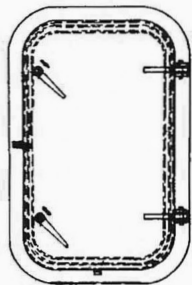
**PORT LIGHTS**

DOORS/HATCHES

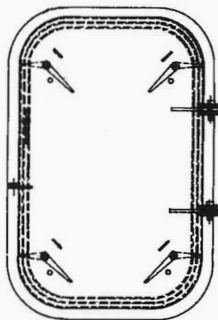
**LET US KNOW YOUR REQUIREMENTS**



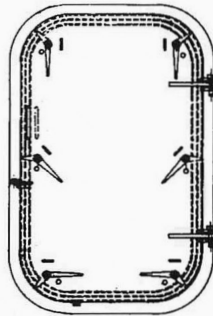
# DOORS/HATCHES



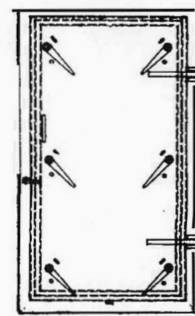
#100 2-DOG  
FUMELIGHT DOOR



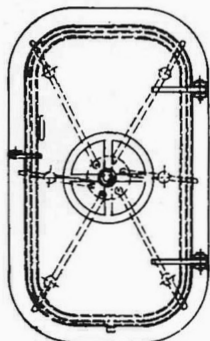
#101 4-DOG  
WEAHERTIGHT DOOR



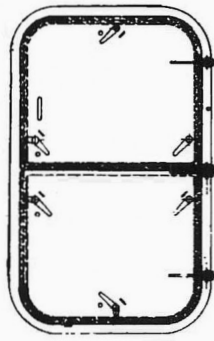
#102 6-DOG  
WATERTIGHT DOOR



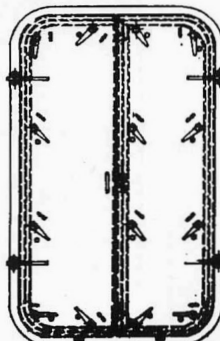
#103 6-DOG  
SQUARE CORNER DOOR



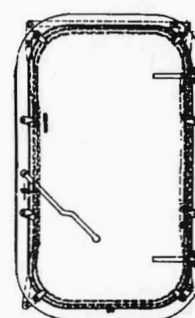
#104 6-DOG  
QUICK ACTING DOOR



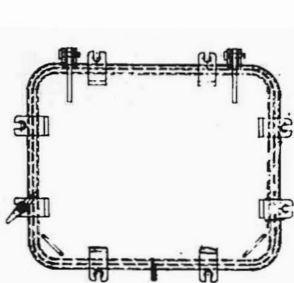
#105 6-DOG  
DUTCH DOOR



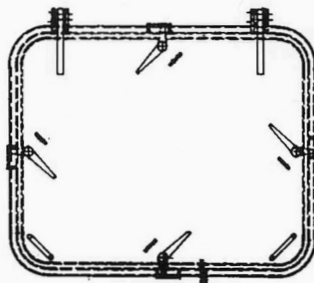
#106  
DOUBLE DOOR



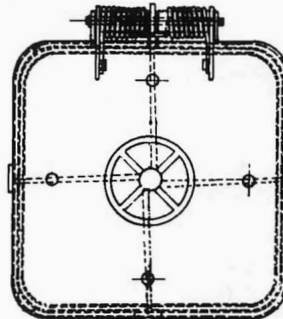
#110  
QUICK ACTING LEVER  
OPERATED DOOR



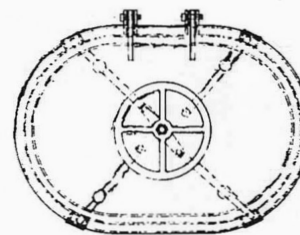
#200  
DROP BOLT HATCH



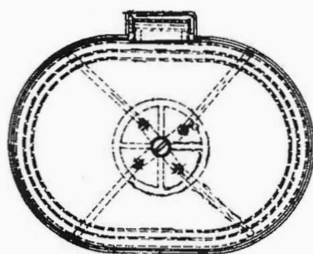
#201  
WATERTIGHT HATCH



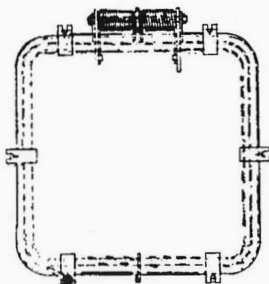
#202  
QUICK ACTING SPRING  
BALANCED HATCH



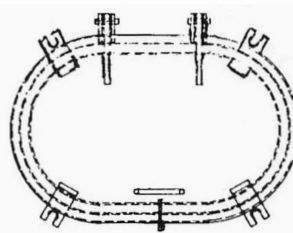
#203  
QUICK ACTING OVAL  
HATCH



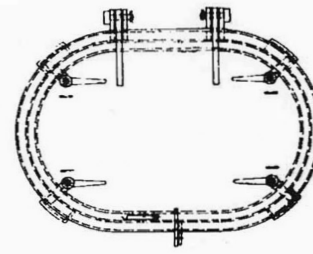
#204  
QUICK ACTING FLUSH  
OVAL HATCH



#207  
SPRING BALANCED  
DROP BOLT HATCH



#208  
OVAL DROP BOLT HATCH



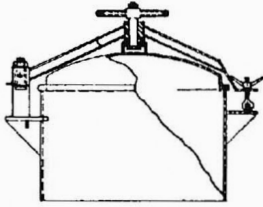
#209  
OVAL DOGGED HATCH

DOORS/HATCHES

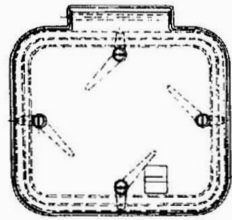




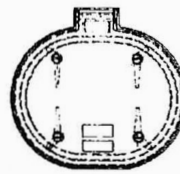
# DOORS/HATCHES



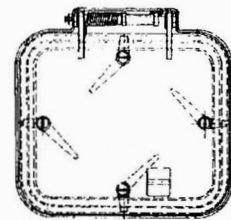
#210  
OIL CARGO HATCH



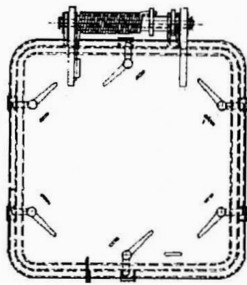
#211  
FLUSH HATCH



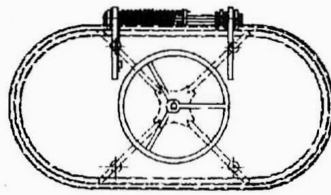
#212  
FLUSH OVAL  
HATCH



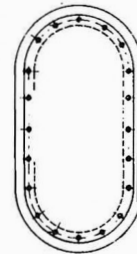
#213  
SPRING BALANCED FLUSH  
HATCH



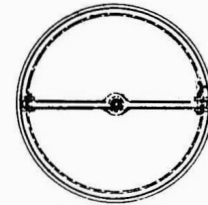
#214  
SPRING BALANCED  
DOGGED HATCH



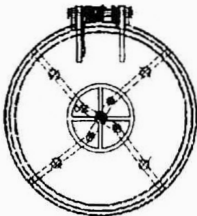
#215  
SPRING BALANCED OVAL  
QUICK ACTING HATCH



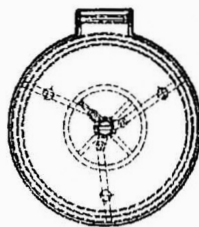
#300  
BOLTED PLATE  
MANHOLE



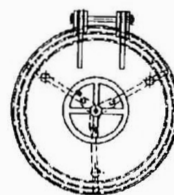
#301  
SINGLE BOLT  
MANHOLE



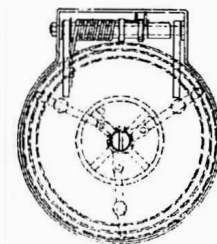
#400  
SPRING BALANCED  
QUICK ACTING  
SCUTTLE



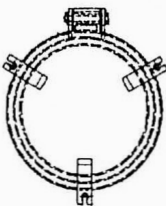
#401  
QUICK ACTING  
FLUSH SCUTTLE



#402  
QUICK ACTING RAISED  
SCUTTLE



#403  
QUICK ACTING  
SPRING BALANCED FLUSH  
SCUTTLE



#403  
DROP BOLT  
RAISED  
SCUTTLE



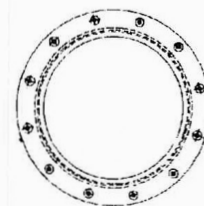
#405  
DOGGED  
RAISED  
SCUTTLE



#406  
FLUSH TOP  
RAISED  
SCUTTLE



#407  
DOGGED  
FLUSH  
SCUTTLE



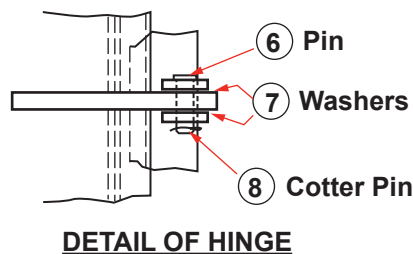
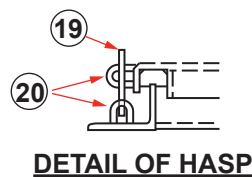
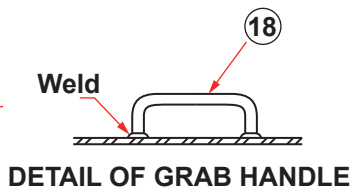
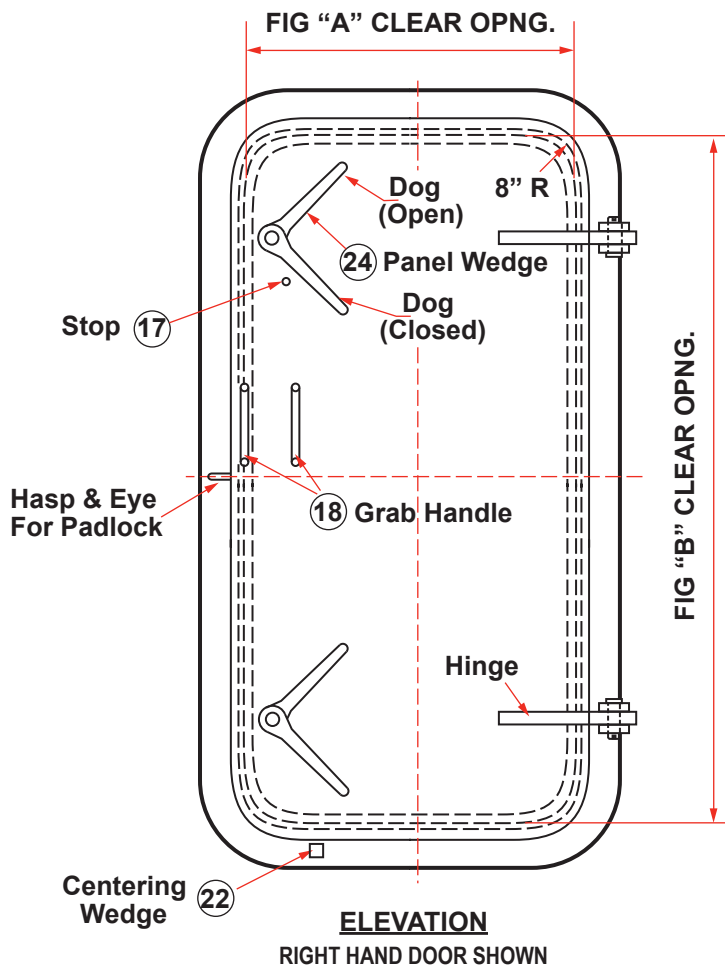
#500  
FIXED  
LIGHT

DOORS/HATCHES



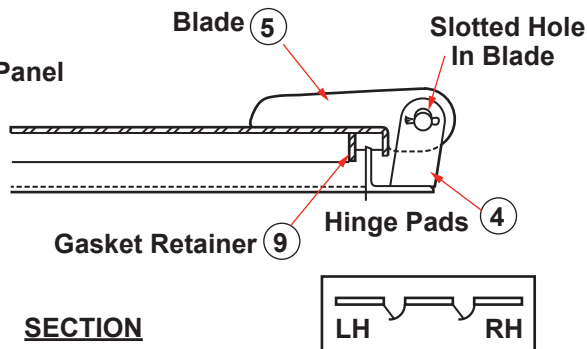
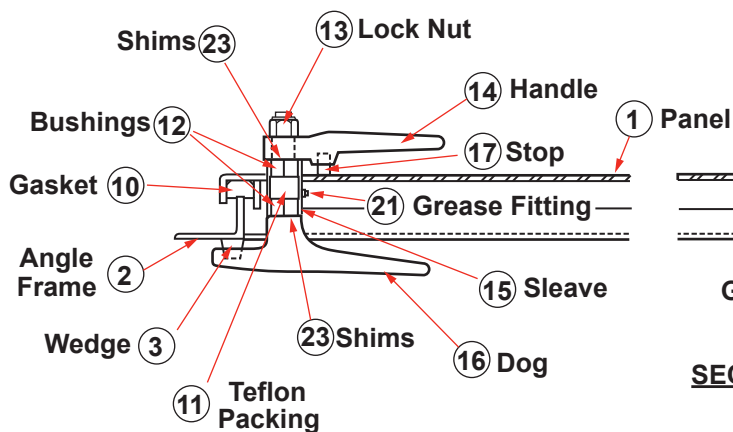
# DOORS/HATCHES

## WATERTIGHT DOOR WITH 2 DOGS DRAWING NO. 100



### SCHEDULE OF MATERIAL

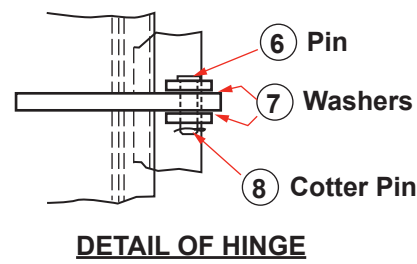
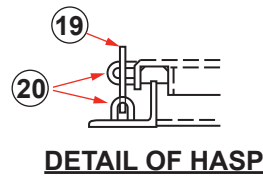
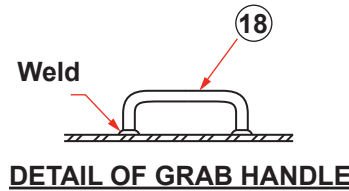
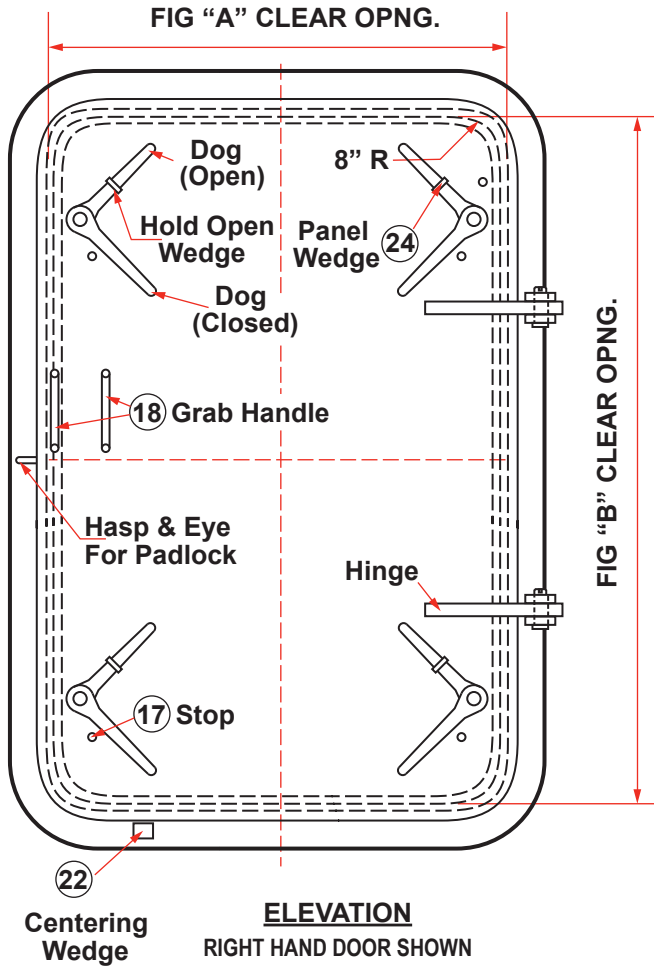
PC. NO.	MATERIAL
1	Mild Steel
2	Do.
3	Do.
4	Do.
5	Do.
6	Brass
7	Do.
8	Do.
9	Mild Steel
10	Neoprene
11	Graphite
12	Delrin
13	Mild Steel
14	Frg. Stl.
15	Mild Steel
16	Frg. Stl.
17	Mild Steel
18	Do.
19	Do.
20	Do.
21	Steel
22	Do.



DOORS/HATCHES

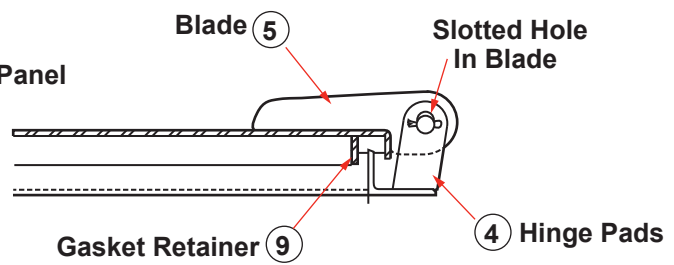
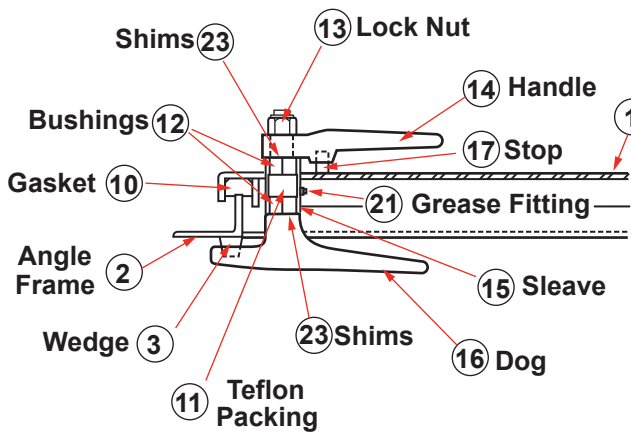


# WATERTIGHT DOOR WITH 4 DOGS DRAWING NO. 101



**SCHEDULE OF MATERIAL**

PC. NO.	MATERIAL
1	Mild Steel
2	Mild Steel
3	Brass
4	Brass
5	Brass
6	Delrin
7	Neoprene
8	Frg. Stl.
9	Frg. Stl.
10	Mild Steel
11	Mild Steel
12	Mild Steel
13	Graphite
14	Mild Steel
15	Mild Steel
16	Mild Steel
17	Mild Steel
18	Mild Steel
19	Mild Steel



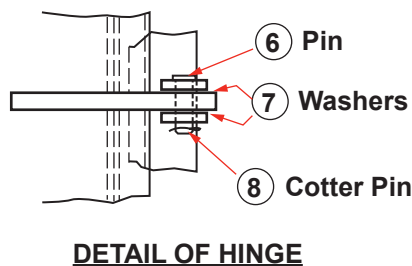
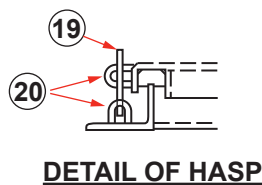
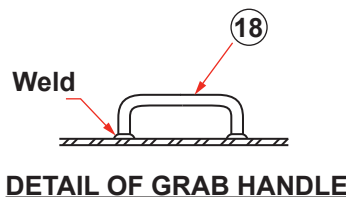
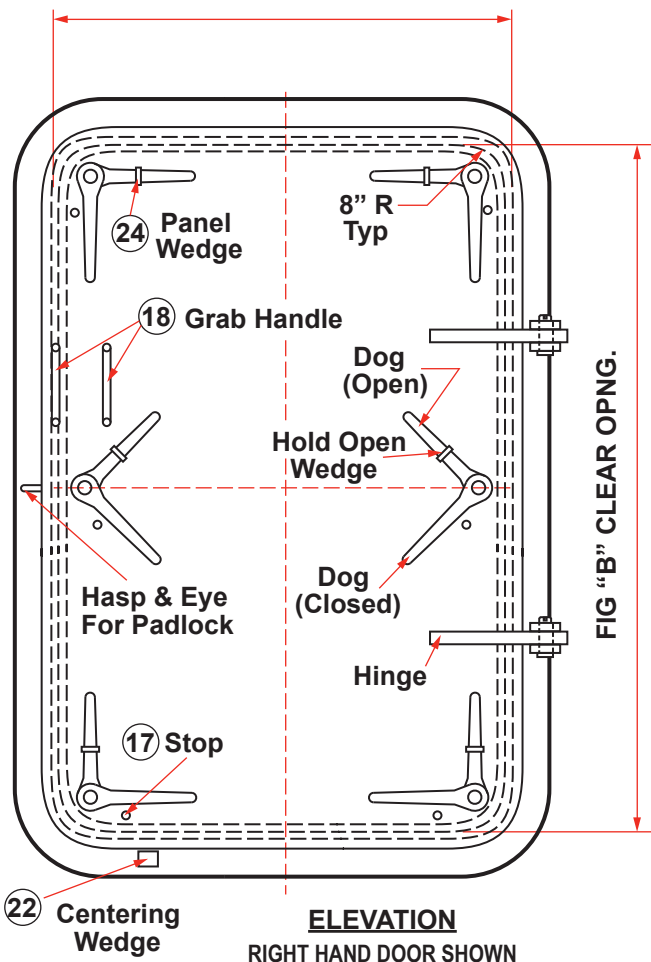
DOORS/HATCHES



# DOORS/HATCHES

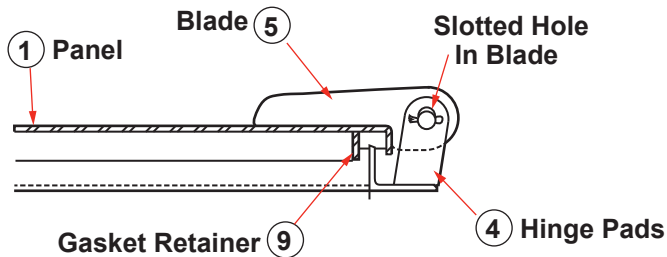
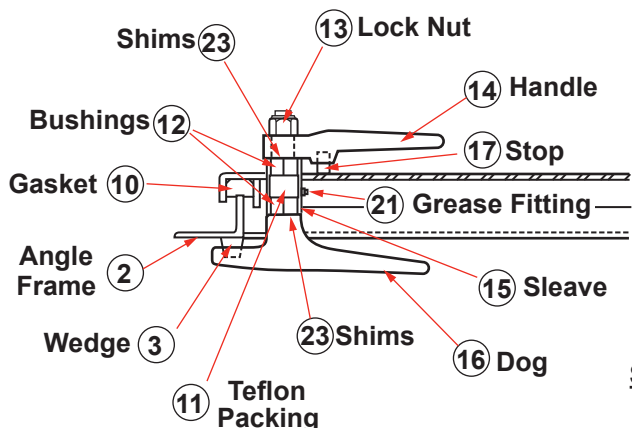
## WATERTIGHT DOOR WITH 6 DOGS DRAWING NO. 102

FIG "A" CLEAR OPNG.



### SCHEDULE OF MATERIAL

PC. NO.	MATERIAL
1	Mild Steel
2	Mild Steel
3	Brass
4	Brass
5	Brass
6	Delrin
7	Neoprene
8	Frg. Stl.
9	Frg. Stl.
10	Mild Steel
11	Mild Steel
12	Mild Steel
13	Graphite
14	Mild Steel
15	Mild Steel
16	Mild Steel
17	Mild Steel
18	Mild Steel
19	Mild Steel
20	Mild Steel
21	Mild Steel
22	Mild Steel
23	Brass



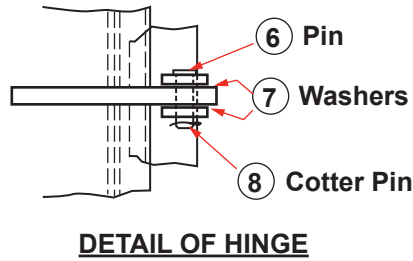
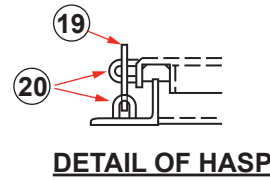
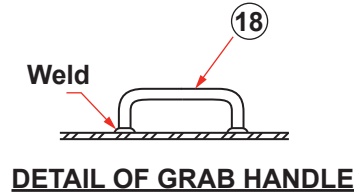
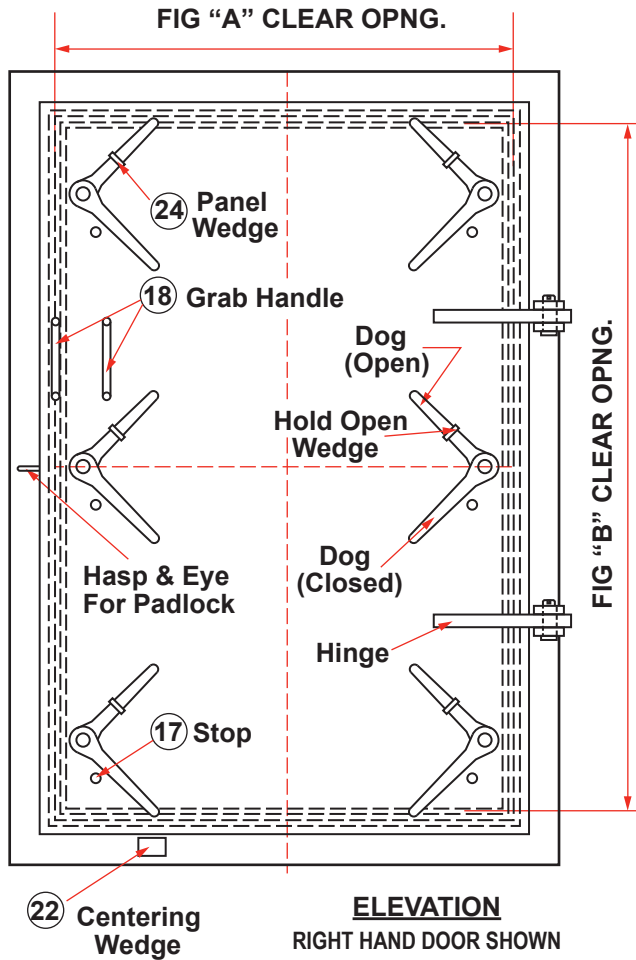
SECTION

DOORS/HATCHES



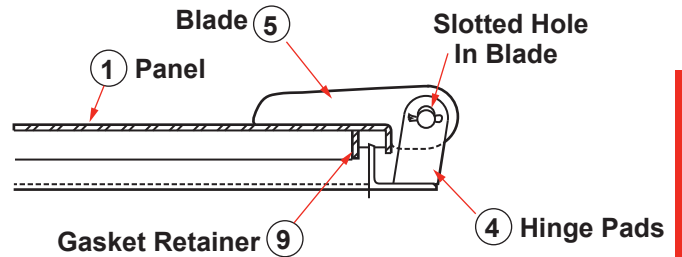
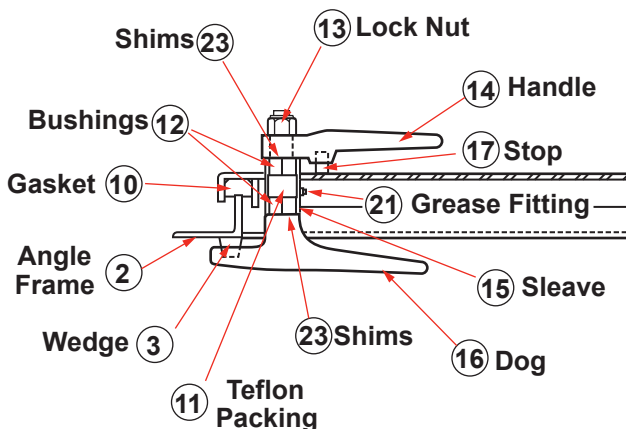


# WATERTIGHT DOOR WITH 6 DOGS DRAWING NO. 103



**SCHEDULE OF MATERIAL**

PC. NO.	MATERIAL
1	Mild Steel
2	Mild Steel
3	Brass
4	Brass
5	Mild Steel
6	Delrin
7	Neoprene
8	Frg. Stl.
9	Frg. Stl.
10	Mild Steel
11	Mild Steel
12	Mild Steel
13	Graphite
14	Mild Steel
15	Mild Steel
16	Mild Steel
17	Mild Steel
18	Mild Steel
19	Mild Steel
20	Mild Steel
21	Mild Steel
22	Mild Steel
23	Brass
24	Mild Steel



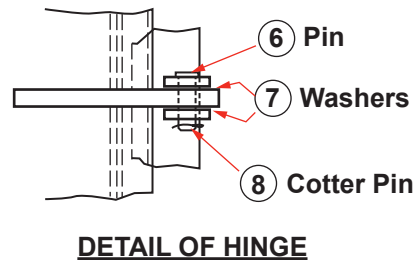
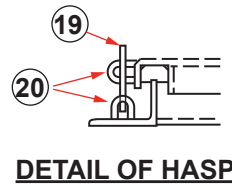
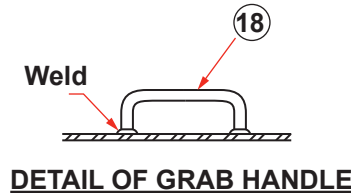
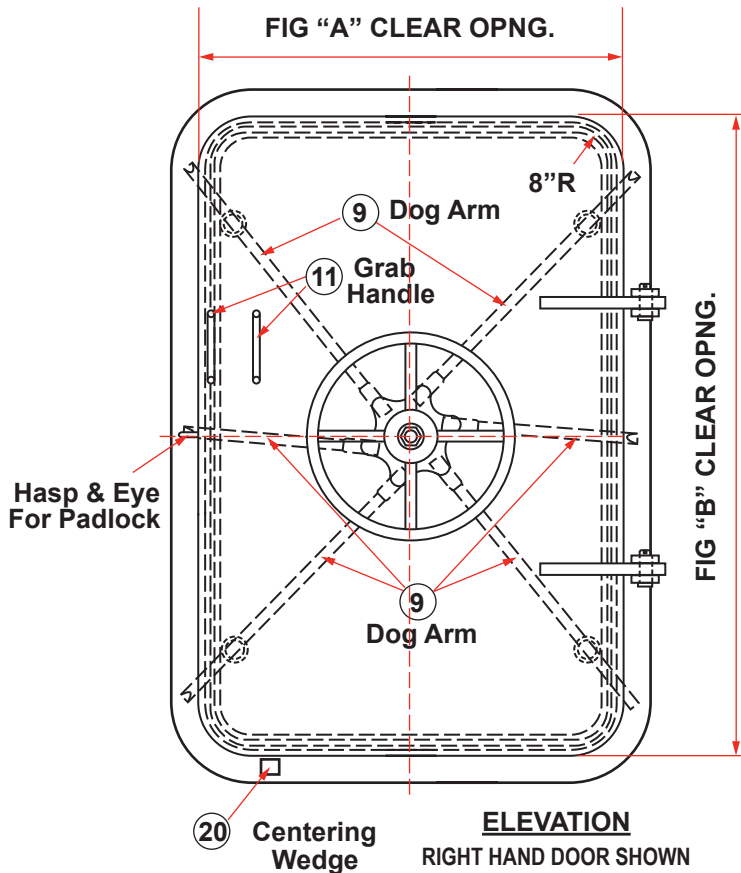
**SECTION**

DOORS/HATCHES



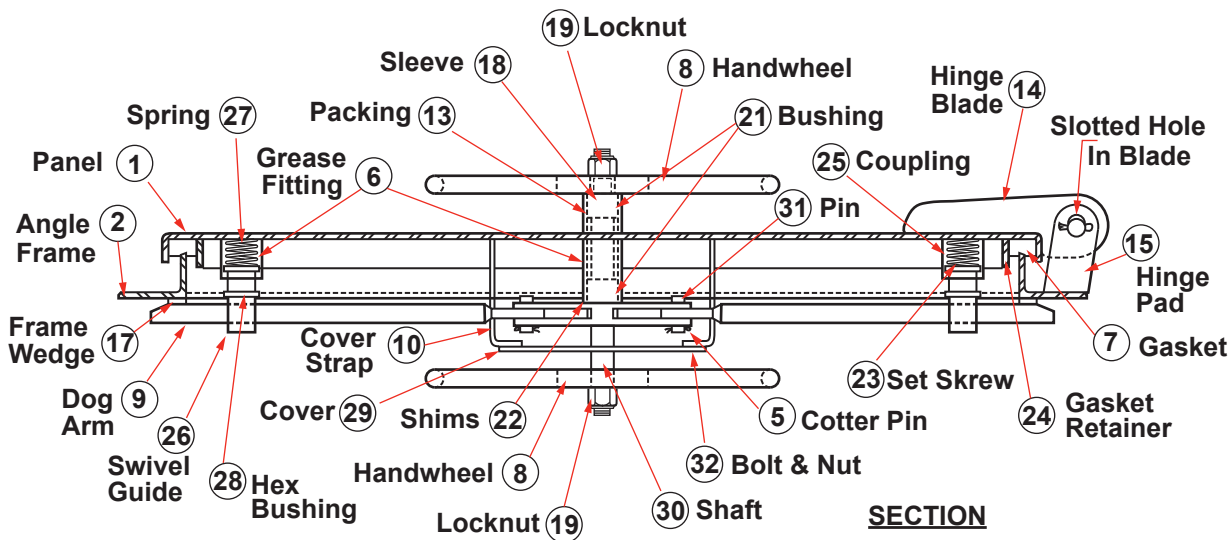
# DOORS/HATCHES

## QUICK ACTING WATERTIGHT DOOR DRAWING NO. 104



### SCHEDULE OF MATERIAL

PC. NO.	MATERIAL
1	Mild Steel
2	Mild Steel
3	Brass
4	Brass
5	Brass
6	Mild Steel
7	Neoprene
8	Mild Steel
9	Mild Steel
10	Mild Steel
11	Mild Steel
12	Mild Steel
13	Graphite
14	Mild Steel
15	Mild Steel
16	Mild Steel
17	Mild Steel
18	Mild Steel
19	Mild Steel
20	Mild Steel
21	Delrin
22	Brass
23	Mild Steel
24	Mild Steel
25	Mild Steel
26	Brass
27	Mild Steel
28	Mild Steel
29	Mild Steel
30	C.F. Steel
31	Mild Steel

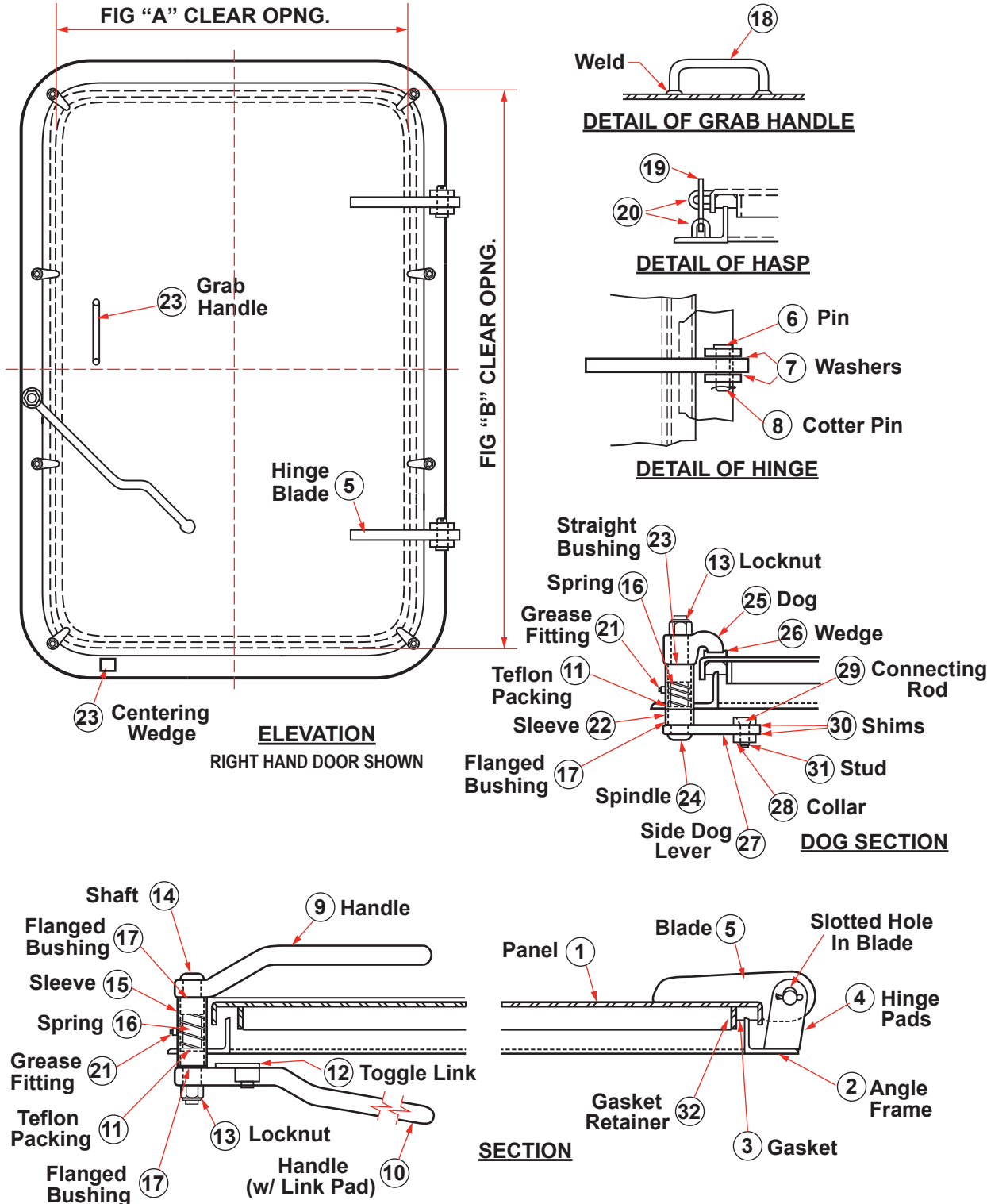


DOORS/HATCHES





# QUICK ACTING WATERTIGHT DOOR DRAWING NO. 109



**SCHEDULE OF MATERIAL**

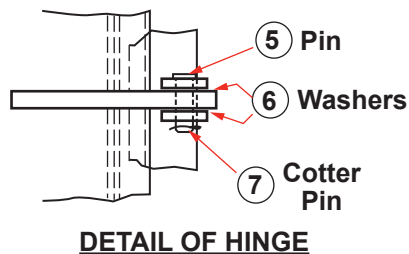
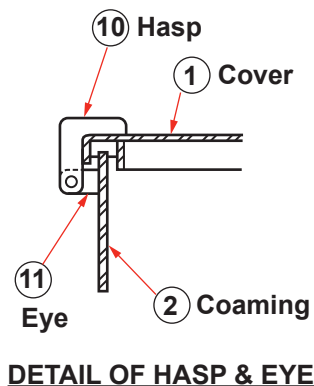
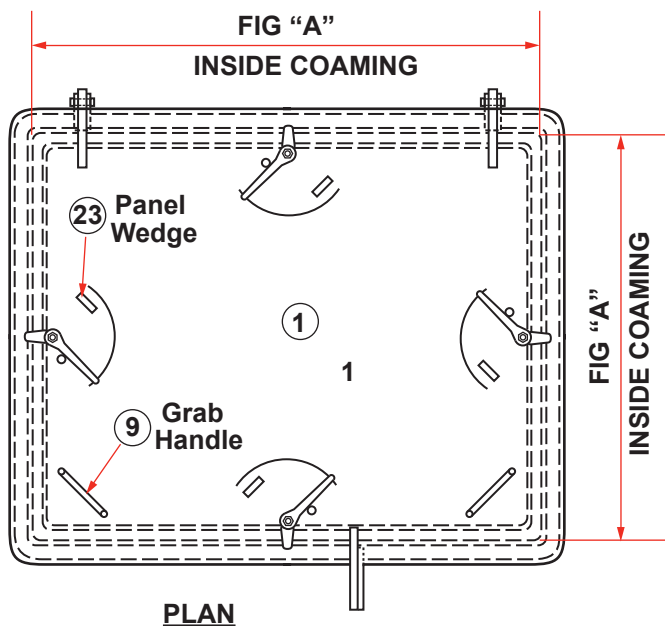
PC. NO.	MATERIAL
1	Mild Steel
2	Mild Steel
3	Brass
4	Stainless
5	Stainless
6	Forged Stl
7	Neoprene
8	Forged Stl
9	Forged Stl
10	Oilite Bronze
11	Mild Steel
12	Mild Steel
13	Graphite
14	Mild Steel
15	Mild Steel
16	Mild Steel
17	Stainless
18	Mild Steel
19	Mild Steel
20	Mild Steel
21	Mild Steel
22	Mild Steel
23	Stainless
24	Mild Steel
25	Mild Steel
26	Mild Steel
27	Mild Steel
28	Mild Steel
29	Mild Steel
30	Oilite Bronze
31	Cold Finish
32	Cold Finish
33	Mild Steel
34	Stainless
35	Plated Stl

DOORS/HATCHES



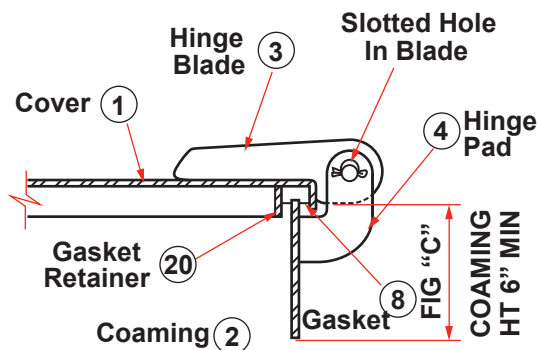
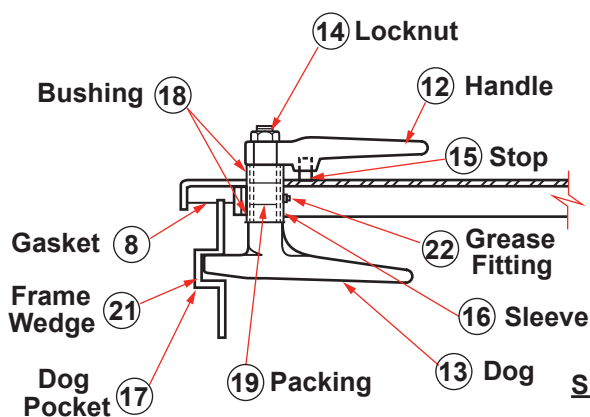
# DOORS/HATCHES

## WATERTIGHT HATCH DRAWING NO. 201



### SCHEDULE OF MATERIAL

PC. NO.	MATERIAL
1	Mild Steel
2	Mild Steel
3	Brass
4	Brass
5	Brass
6	Brass
7	Brass
8	Neoprene
9	Steel
10	Mild Steel
11	Mild Steel
12	Frg. Stil.
13	Frg. Stil.
14	Steel
15	Steel
16	Steel
17	Steel
18	Delrin
19	Graphite
20	Mild Steel

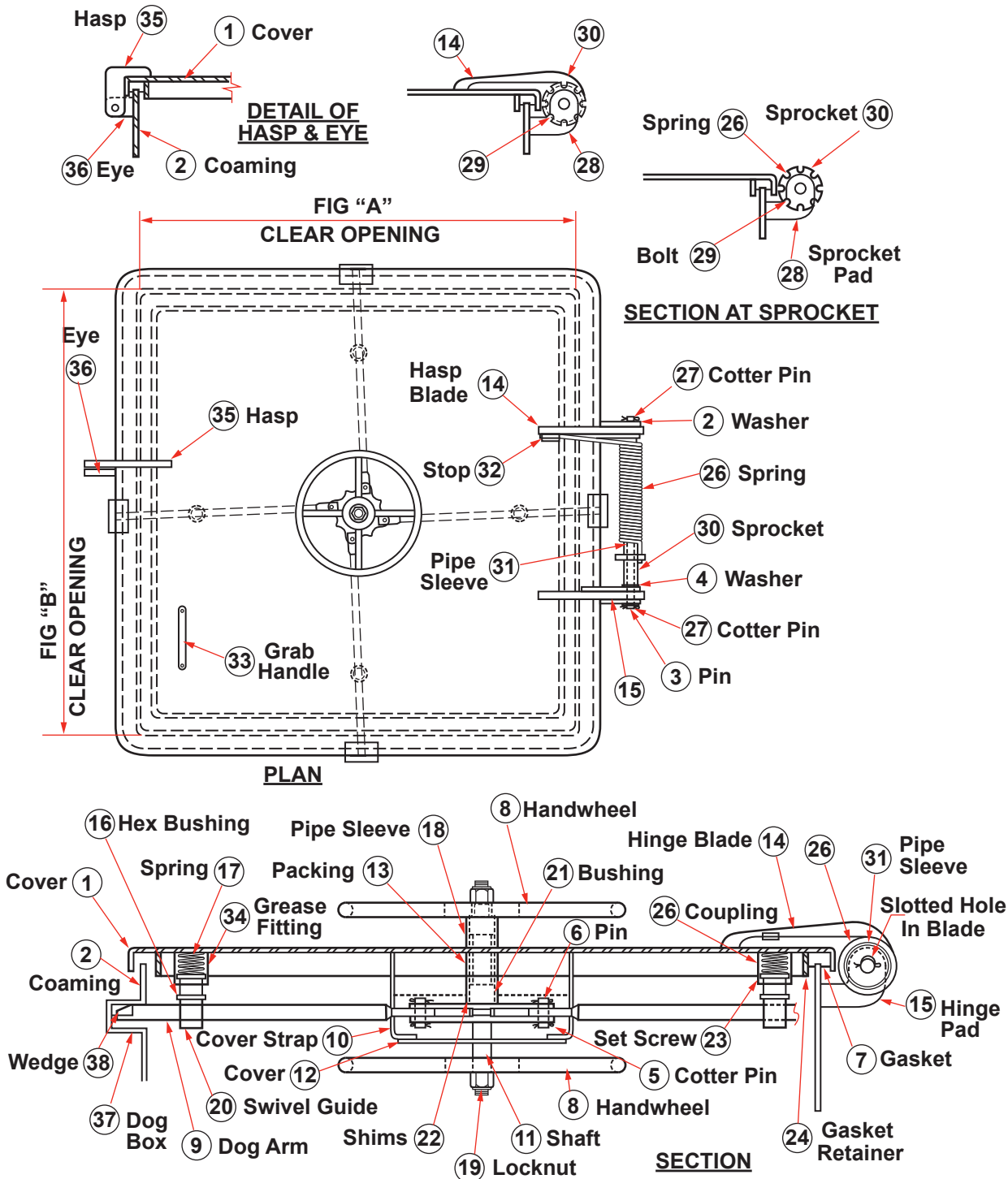


DOORS/HATCHES





# SPRING BALANCE QUICK ACTING WATERTIGHT HATCH DRAWING NO. 202



**SCHEDULE OF MATERIAL**

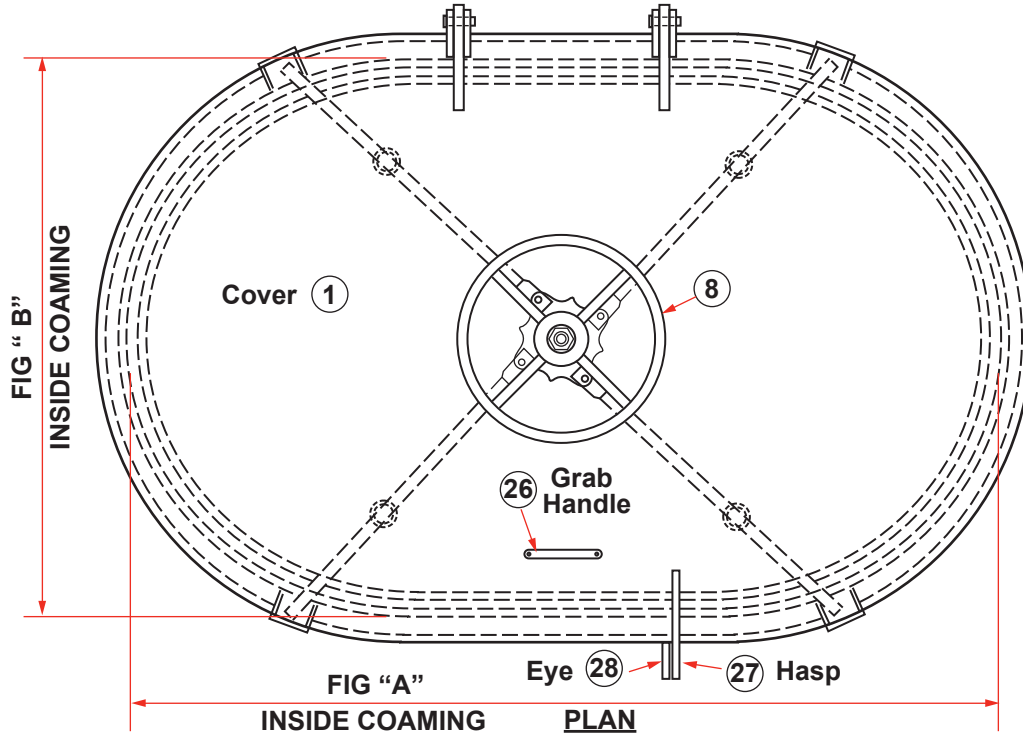
PC. NO.	MATERIAL
1	Mild Steel
2	Mild Steel
3	Brass
4	Brass
5	Brass
6	Neoprene
7	Mild Steel
8	Mild Steel
9	Mild Steel
10	Cold Finish
11	Mild Steel
12	Graphite
13	Mild Steel
14	Mild Steel
15	Mild Steel
16	Spring Steel
17	Mild Steel
18	Mild Steel
19	Brass
20	Derlin
21	Brass
22	Steel
23	Mild Steel
24	Mild Steel
25	Spring Steel
26	Brass
27	Mild Steel
28	Mild Steel
29	Mild Steel
30	Mild Steel
31	Mild Steel
32	Mild Steel
33	Mild Steel

DOORS/HATCHES



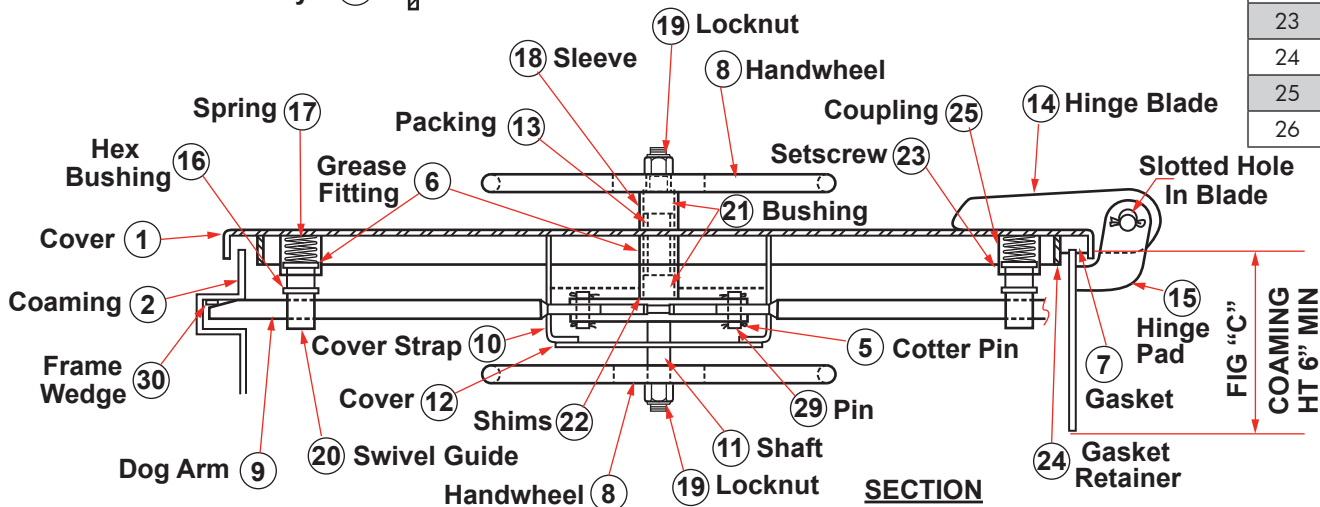
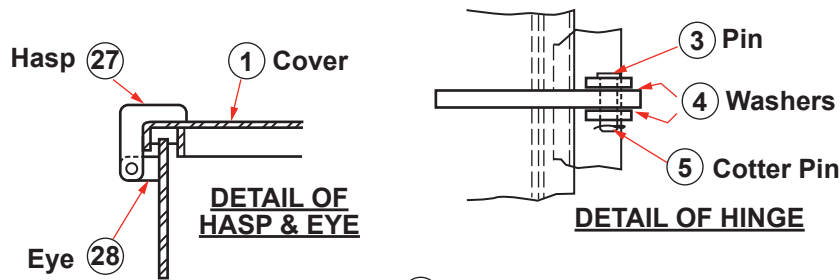
# DOORS/HATCHES

## QUICK ACTING OVAL HATCH DRAWING NO. 203



### SCHEDULE OF MATERIAL

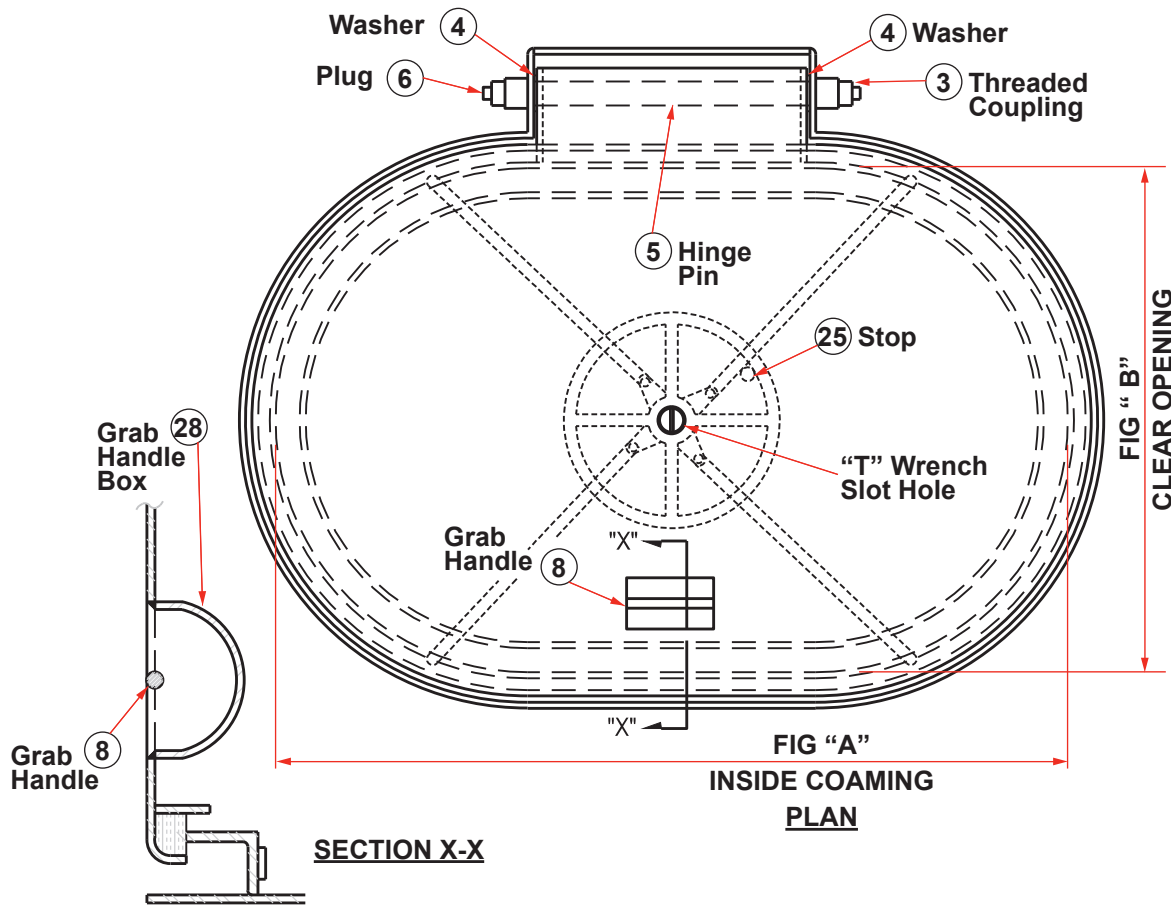
PC. NO.	MATERIAL
1	Mild Steel
2	Mild Steel
3	Brass
4	Brass
5	Brass
6	Brass
7	Neoprene
8	Mild Steel
9	Mild Steel
10	Mild Steel
11	Cold Finish
12	Mild Steel
13	Graphite
14	Mild Steel
15	Mild Steel
16	Mild Steel
17	Spring Steel
18	Mild Steel
19	Mild Steel
20	Brass
21	Delrin
22	Brass
23	Steel
24	Mild Steel
25	Mild Steel
26	Mild Steel



DOORS/HATCHES

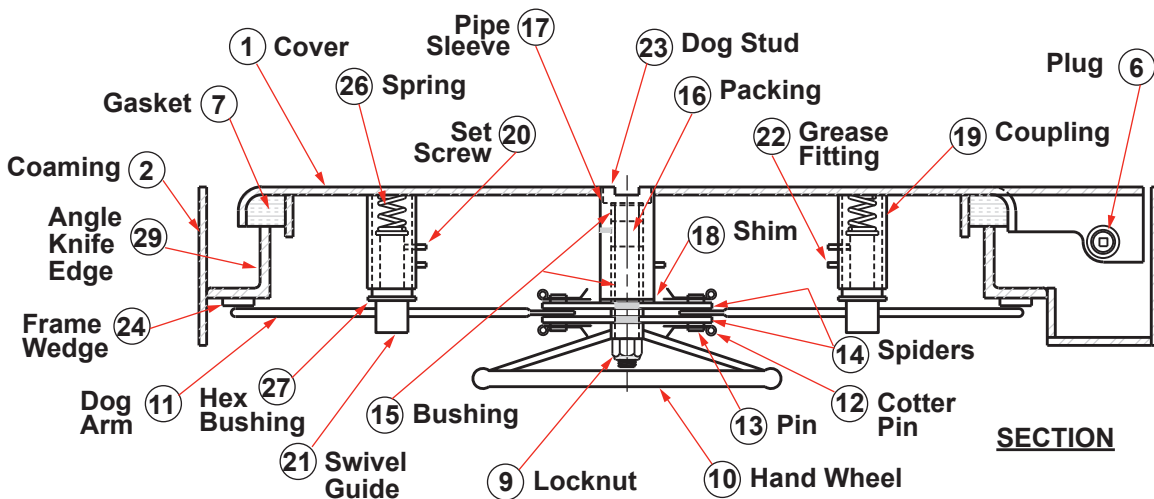


# QUICK ACTING FLUSH OVAL HATCH DRAWING NO. 204



## SCHEDULE OF MATERIAL

PC. NO.	MATERIAL
1	Mild Steel
2	Mild Steel
3	Mild Steel
4	Mild Steel
5	Cold Finish
6	Brass
7	Neoprene
8	Mild Steel
9	Mild Steel
10	Mild Steel
11	Mild Steel
12	Brass
13	Brass
14	Mild Steel
15	Delrin
16	Graphite
17	Mild Steel
18	Brass
19	Mild Steel
20	Mild Steel
21	Brass
22	Mild Steel
23	Brass
24	Mild Steel
25	Mild Steel
26	Spring Steel
27	Mild Steel

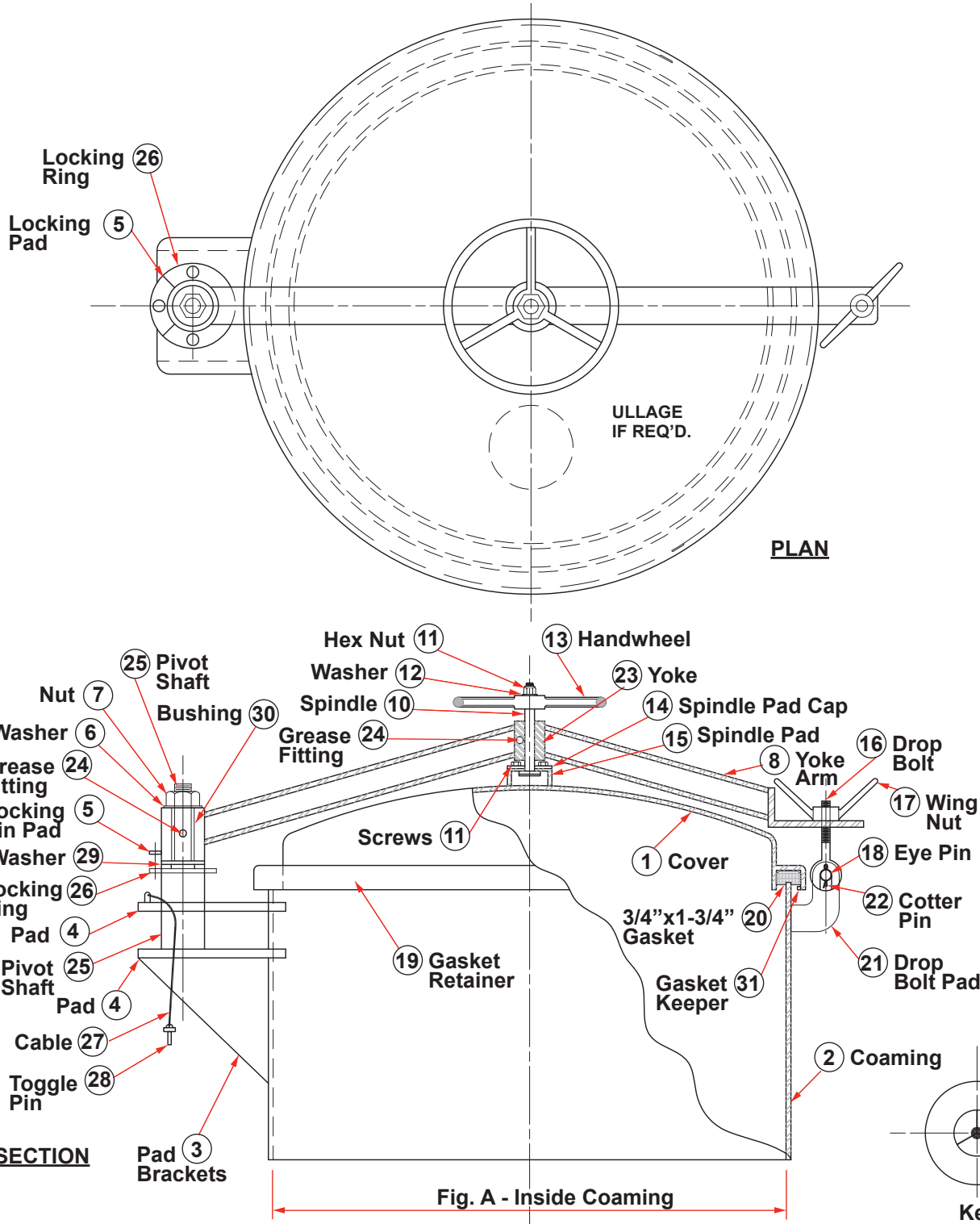


DOORS/HATCHES



# DOORS/HATCHES

## OIL CARGO HATCH DRAWING NO. 210



### SCHEDULE OF MATERIAL

PC. NO.	MATERIAL
1	Mild Steel
2	Mild Steel
3	Mild Steel
4	Mild Steel
5	Mild Steel
6	Brass
7	Steel
8	Mild Steel
9	Steel
10	Brass
11	Steel
12	Brass
13	Mild Steel
14	Mild Steel
15	Mild Steel
16	Manganese Bronze
17	Manganese Bronze
18	Brass
19	Mild Steel
20	Neoprene
21	Mild Steel
22	Mild Steel
23	Steel
24	Steel

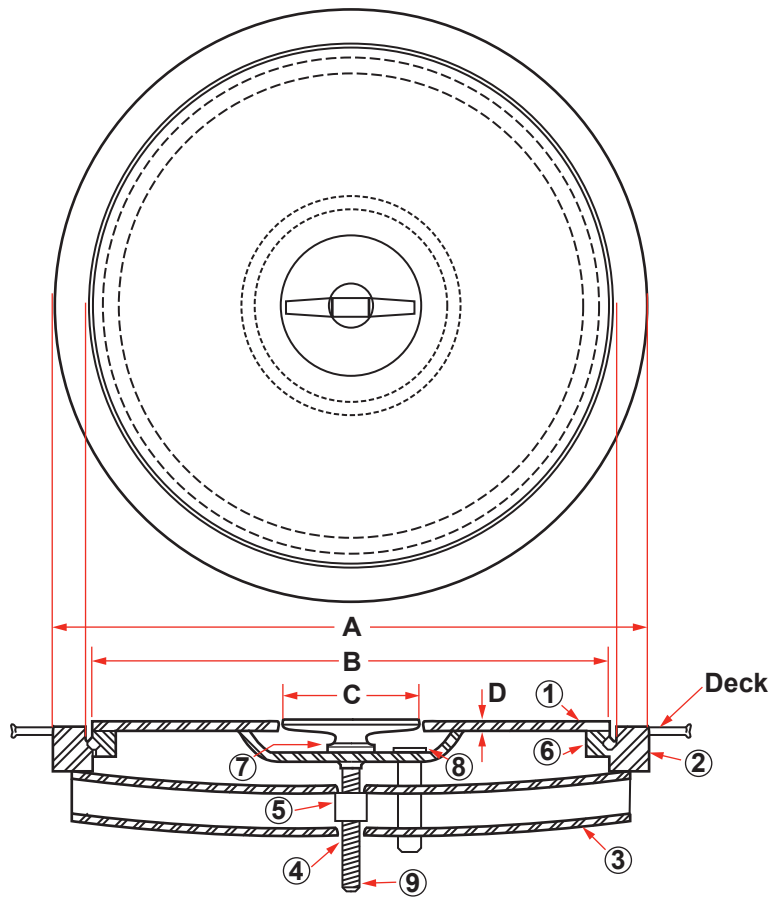
DOORS/HATCHES



# FLUSH WATERTIGHT HATCH

NOTE 1: INCLUDES ALL PIECES EXCEPT PC. NO. 2 - DECK RING

The specifications and details described by drawings or text in this literature are subject to change without notice



PIECE NO.	DESCRIPTION			MATERIAL
1	Cover Assembly	20389	20397	See Note 1 above
2	Deck Ring	6750	15334	Mild Steel
3	Strongback	6300	13870	Galvanized Steel
4	Tee Handle	16993	16993	Stainless Steel
5	Nut	507	507	Brass
6	Gasket	17256	6548	Neoprene
7	Washer	604	604	Brass
8	Washer	6556	6556	Neoprene
9	Pin	21636	21636	Stainless Steel

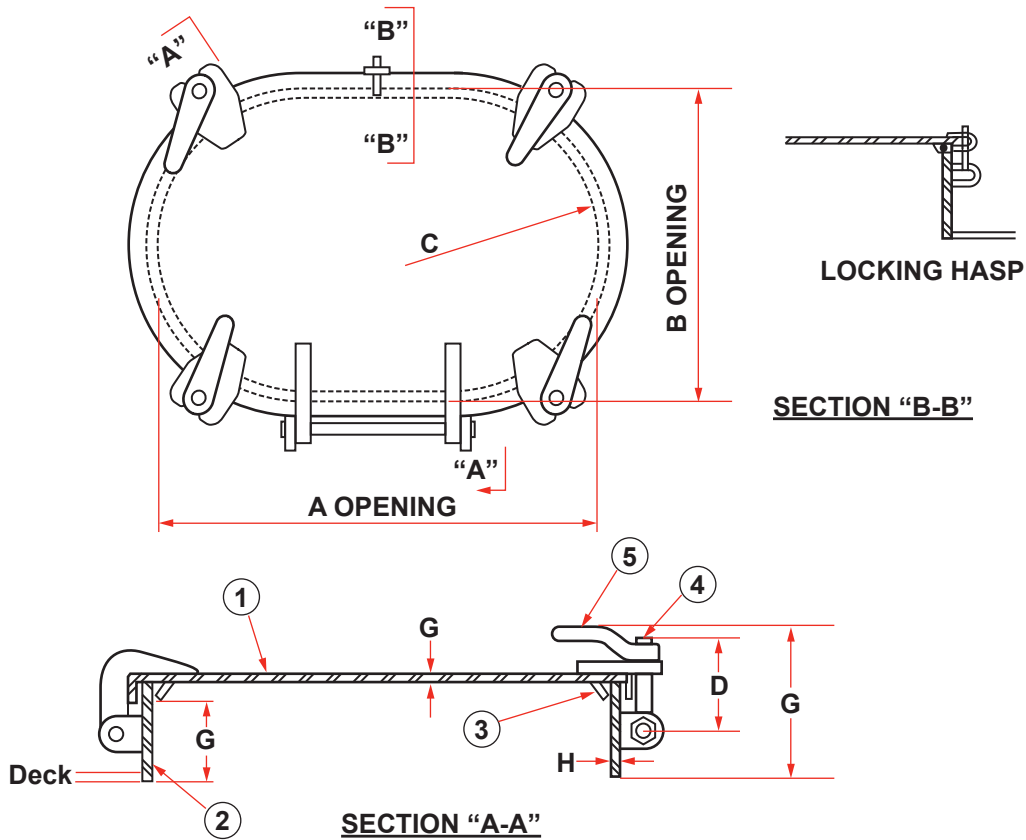
MODEL NO.	PART NO.	SIZE	A	B	C	D	WT. (LBS)
AM-430-18D		18	20-3/4	18	5	3/8	70
	(Galvanized)						74
AM-430-24	6270	24	26-3/4	24	5	3/8	116
	(Galvanized)						120

DOORS/HATCHES



# DOORS/HATCHES

## RAISED WATERTIGHT HATCH



PIECE NO.	DESCRIPTION			MATERIAL
		77887	78484	
1	Cover Assembly**	77887	78484	Mild Steel
2	Coaming	74098	19550	Mild Steel
3	Gasket	74497	78530	Neoprene†
4	Tumble Bolt	10774	10774	Bronze
5	Dog Handle	74837	74837	Malleable Iron
	Flame Screen*	17051	19445	Stainless Steel

MODEL NO.	PART NO.	SIZE	A	B	C	D	E	F	G	H	WT. (LBS.)
AM-174-5	72451	15 x 23	23	15	7-1/2	5-1/4	8-1/2	5	5/16	3/8	96
AM-464-5	78514	18 x 24	24-1/4	18-1/4	9-1/8	5-1/4	8-1/2	5	5/16	3/8	106

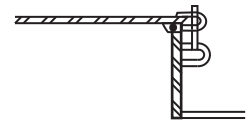
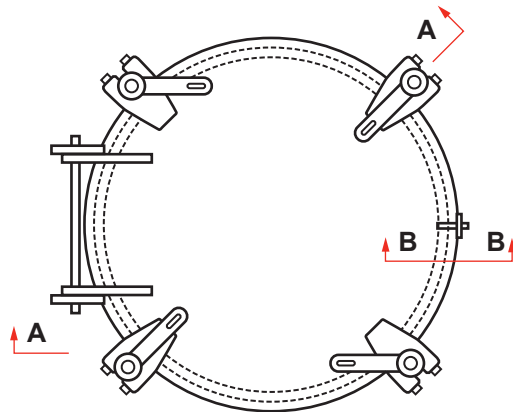
\*OPTIONAL EXTRA  
 \*\* Gasket included w/cover assembly  
 † Other gasket material available  
 Other optional extras include galvanized finish, a flame screen and a variety of coaming heights.  
 The specification and details described by drawings or text in this literature are subject to change without notice.

DOORS/HATCHES



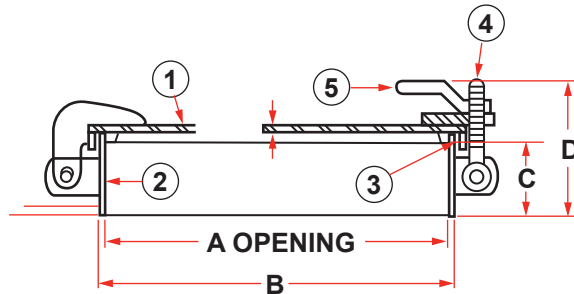


# RAISED WATERTIGHT HATCH



LOCKING HASP

SECTION "B-B"



SECTION "A-A"

PIECE NO.	DESCRIPTION	PART NUMBER	MATERIAL
1	Cover Assembly**	77895	Mild Steel
2	Coaming	75027	Mild Steel
3	Gasket	74497	Neoprene†
4	Tumble Bolt	10774	Bronze
5	Dog Handle	74837	Malleable Iron

MODEL NO.	PART NO.	SIZE	A	B	C	D	E	F	G	H	WT. (LBS.)
AM-343-5		19	19	19-3/4	5	8-1/2	3/8	3/8	5/16	5/16	92

\*OPTIONAL EXTRA

\*\* Gasket included w/cover assembly

† Other gasket material available

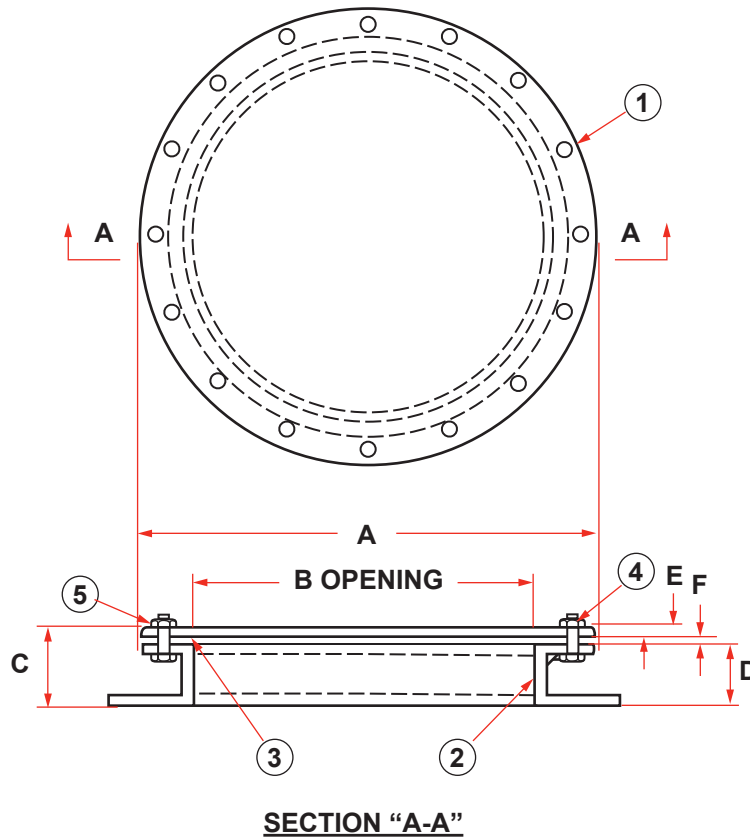
Other optional extras include galvanized finish, a flame screen and a variety of coaming heights.

The specification and details described by drawings or text in this literature are subject to change without notice.



# DOORS/HATCHES

## CLEAN OUT HATCH



PIECE NO.	DESCRIPTION	PART NUMBER		MATERIAL
		DF-154-18	DF-154-14	
1	HATCH COVER	77216	76767	MILD STEEL
2	COAMING	77232	76783	MILD STEEL
3	GASKET	77224	76775	NEOPRENE
4	5/8" BOLT	14613	14613	STEEL
5	5/8" BOLT	16179	16179	BRASS

MODEL NO.	PART NO.	SIZE	A	B	C	D	E	F	WT. (LBS.)
AM-154-14		14	19	14	3-1/4	2-1/2	3/8	3/8	60
AM-154-18		18	23	18	3-1/4	2-1/2	3/8	3/8	78

The specification and details described by drawings or text in this literature are subject to change without notice.

DOORS/HATCHES

**340**

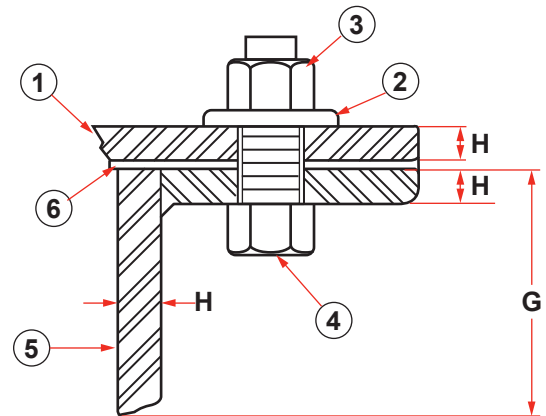
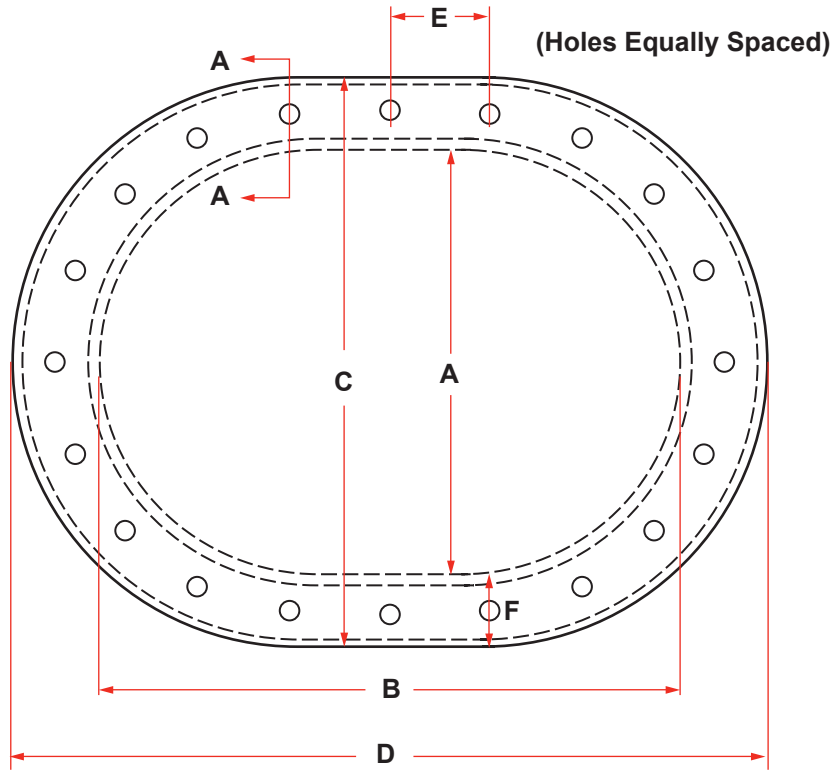
**HOUSTON** (713) 644-1183   
 **FAX** (713) 644-1185   
 **TOLL FREE** 1 (800) 233-8014   
 **EMAIL** Sales@AnchorMarineHouston.com

[WWW.ANCHORMARINEHOUSTON.COM](http://WWW.ANCHORMARINEHOUSTON.COM)





# RAISED BOLTED HATCH



**SECTION "A-A"**

PIECE NO.	DESCRIPTION	PART NUMBER		MATERIAL
		DF-501	DF-502	
1	COVER PLATE	21342	21350	STEEL
2	WASHER	21237	21237	BRASS
3	HEX NUT	21245	21245	STAINLESS
4	HEX BOLT	14605	14605	STEEL
5	COAMING	21369	21377	STEEL
6	GASKET	21385	21393	NEOPRENE

MODEL NO.	PART NO.	SIZE	A	B	C	D	E	F	G	H	WT. (LBS.)
AM-501		15 X 23	15	23	20	28-3/4	3-5/8	2-1/2	2-1/2	3/8	85
AM-502		18 X 24	18	24	23	29-3/4	3-1/4	2-1/2	2-1/2	3/8	106

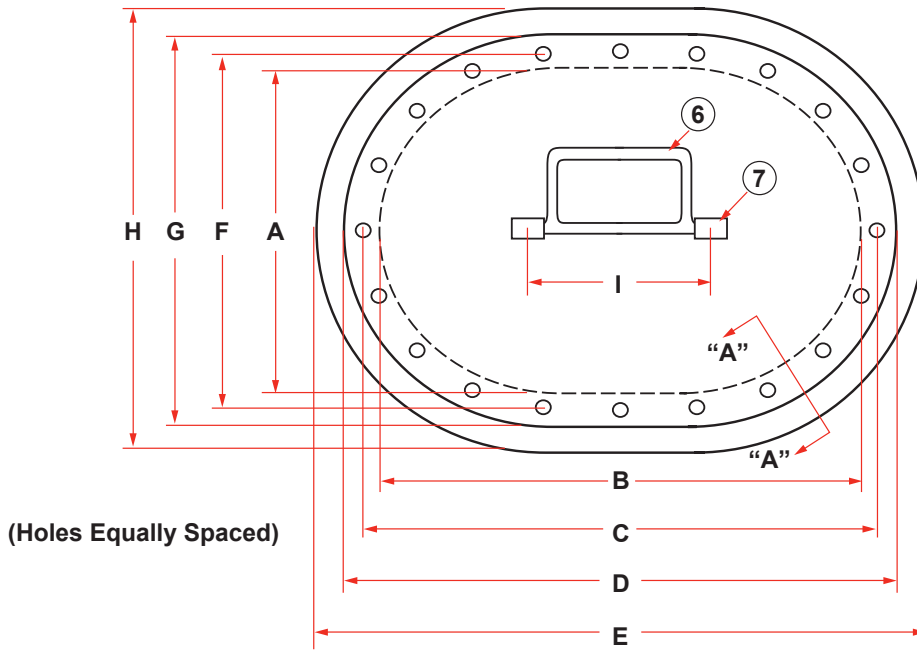
The specification and details described by drawings or text in this literature are subject to change without notice.

DOORS/HATCHES

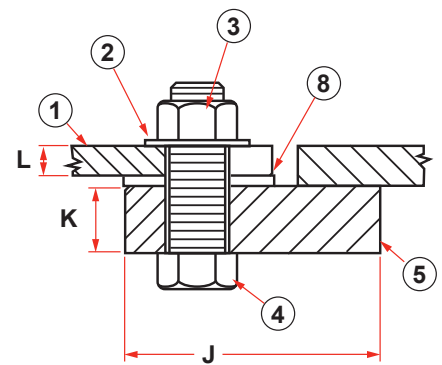


# DOORS/HATCHES

## FLUSH BOLTED HATCH



NOTE: Lampwick grommet furnished by others if required.



**SECTION "A-A"**

PIECE NO.	DESCRIPTION			MATERIAL
1	COVER	21229	21318	MILD STEEL
2	WASHER	21237	21237	BRASS
3	NUT	21245	21245	STAINLESS STEEL
4	BOLT	14613	14613	STEEL
5	DECK RING	21253	21326	MILD STEEL
6	HANDLE	21261	21261	MILD STEEL
7	HANDLE RETAINER	21288	21288	MILD STEEL
8	GASKET	21296	21334	NEOPRENE

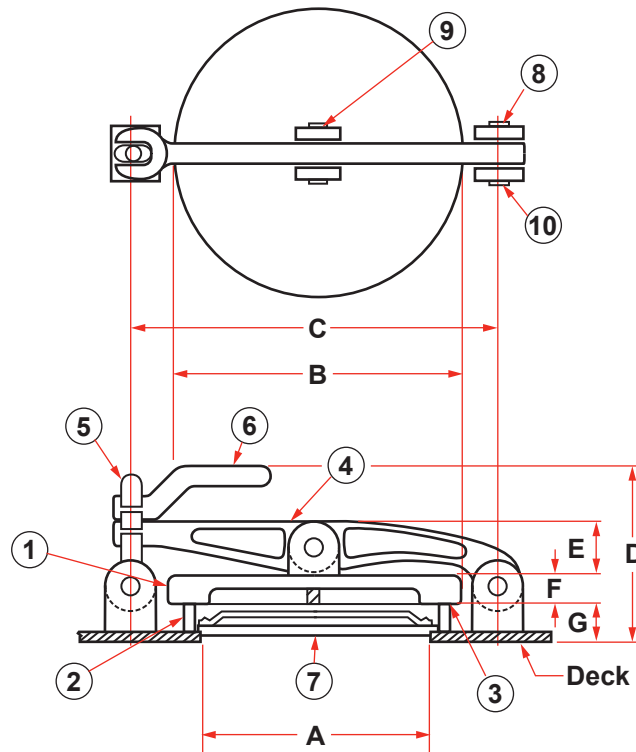
MODEL NO.	PART NO.	SIZE	A	B	C	D	E	F	G	H	I	J	K	L	WT. (LBS.)
AM-503		15 X 23	15	23	24-1/4	26-1/2	29	16-1/4	18-1/2	21	9	3	3/4	3/8	95
AM-504		18 X 24	18	24	25-1/4	27-1/2	30	19-1/4	21-1/2	24	9	3	3/4	3/8	112

The specification and details described by drawings or text in this literature are subject to change without notice.

DOORS/HATCHES



# ULLAGE HATCH



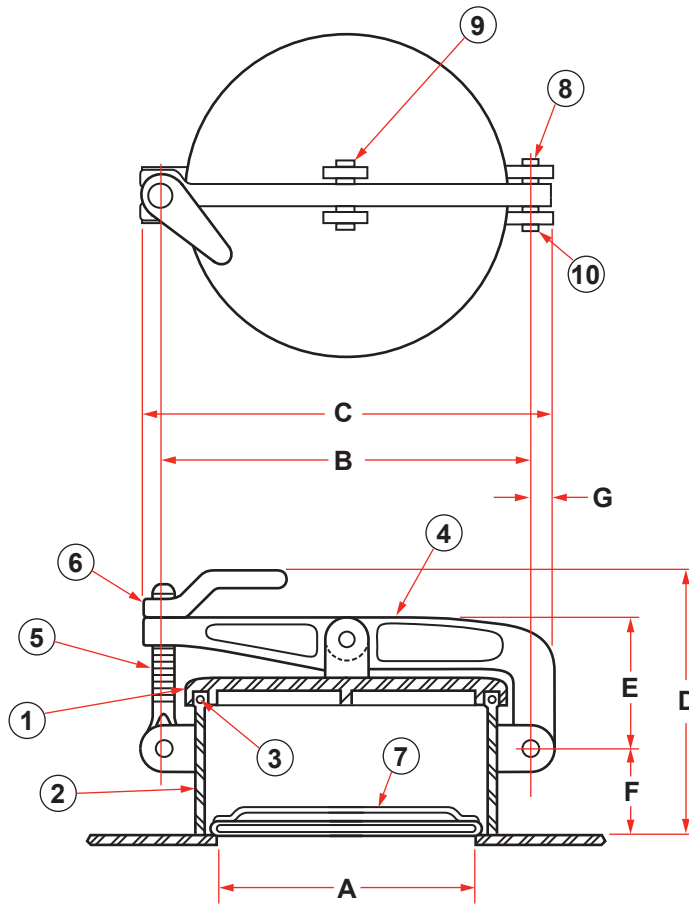
PIECE NO.	DESCRIPTION		MATERIAL
1	COVER	6637	CAST IRON
2	COAMING	75671	MILD STEEL
3	GASKET	17167	NEOPRENE
4	ARM	6831	MALLEABLE IRON
5	TUMBLE BOLT	10774	BRONZE
6	DOG HANDLE	74837	MALLEABLE IRON
7	FLAME SCREEN	6629	STAINLESS STEEL
8	HEX HEAD BOLT	20842	BRONZE
9	HEX HEAD BOLT	20850	BRONZE
10	ESNA NUT	20869	STAINLESS

MODEL NO.	PART NO.	SIZE	A	B	C	D	E	F	G	WT. (LBS.)
AM-144		8	7-1/2	9-1/2	12	5-5/16	1-7/8	13/16	7/8	22

The specification and details described by drawings or text in this literature are subject to change without notice.



# DOORS/HATCHES



## ULLAGE HATCH

PIECE NO.	DESCRIPTION		MATERIAL
1	COVER	83062	CAST IRON
2	COAMING	19526	MILD STEEL
3	GASKET	82449	NEOPRENE
4	ARM	19461	MALLEABLE IRON
5	TUMBLE BOLT	10774	BRONZE
6	DOG HANDLE	74837	MALLEABLE IRON
7	FLAME SCREEN	19496	STAINLESS STEEL
8	HEX HEAD BOLT	20842	BRONZE
9	HEX HEAD BOLT	20850	BRONZE
10	ESNA NUT	20869	STAINLESS STEEL

MODEL NO.	PART NO.	SIZE	A	B	C	D	E	F	G	WT. (LBS.)
AM-569		10	9-1/2	13-1/2	14-3/4	9-5/8	4-3/8	3-1/2	3/4	42

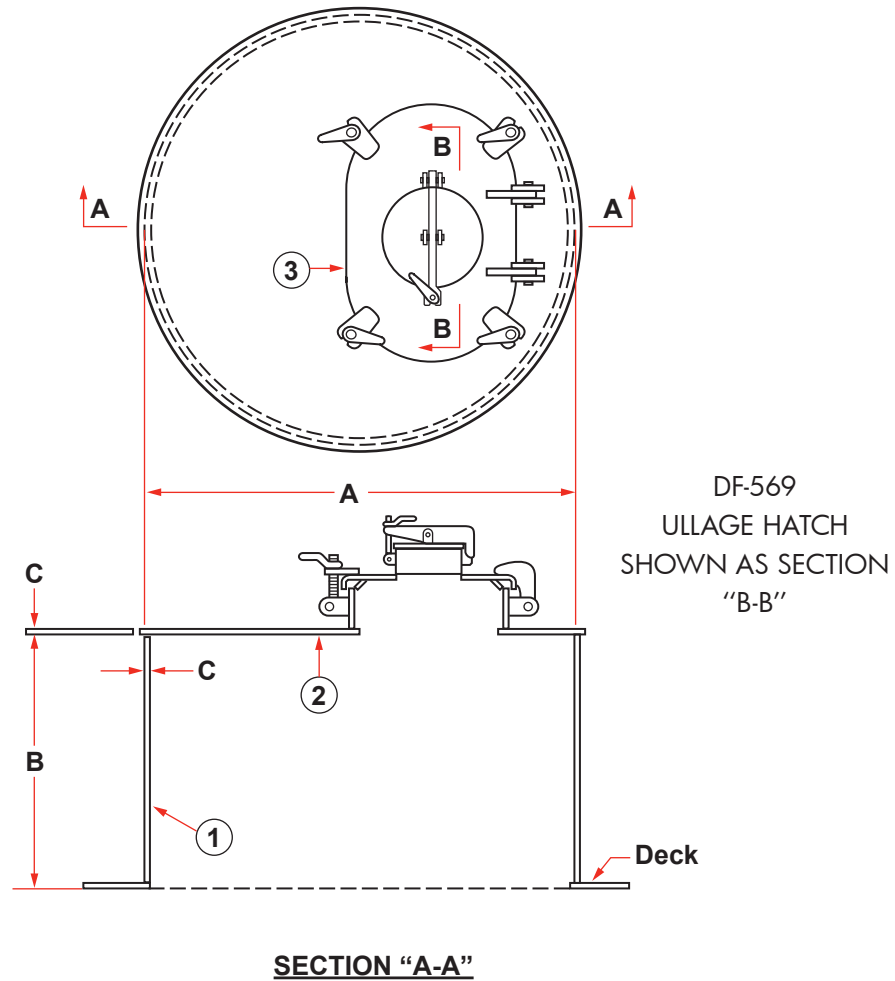
The specification and details described by drawings or text in this literature are subject to change without notice.

DOORS/HATCHES





# EXPANSION TRUNK



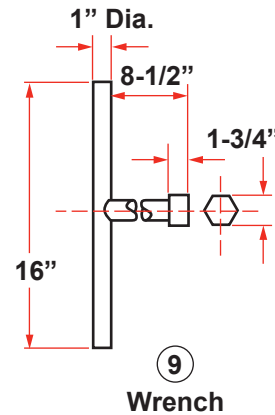
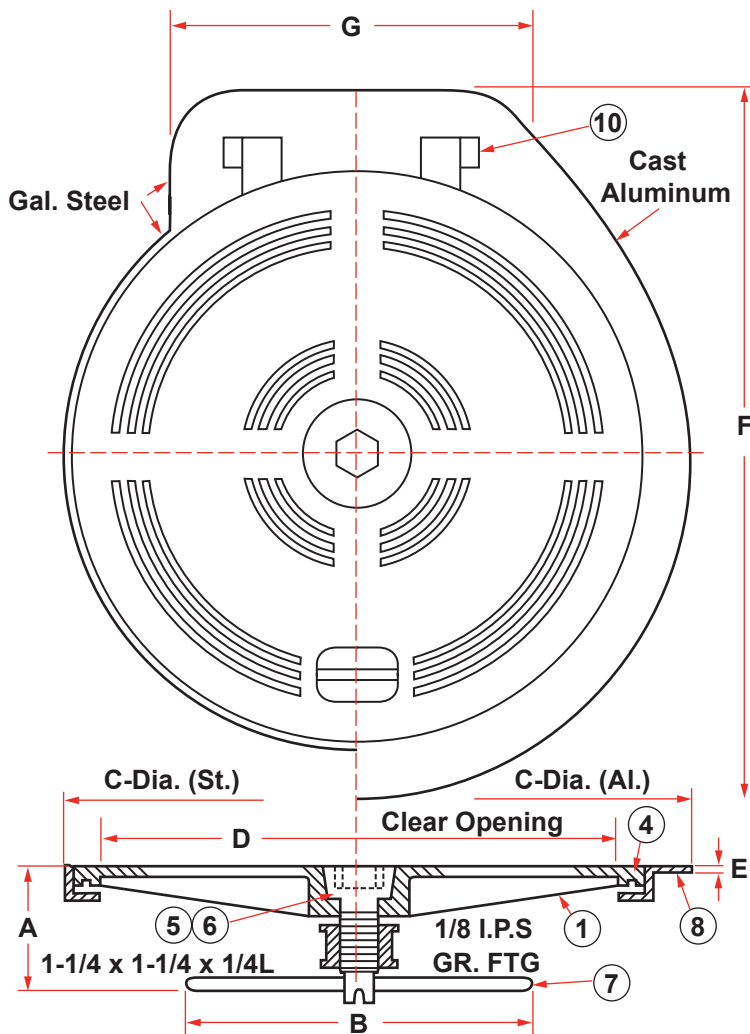
PIECE NO.	DESCRIPTION	PART NUMBER		MATERIAL
		DF-470	DF-449	
1	COAMING	76171	76171	MILD STEEL
2	COVER	76163	76163	MILD STEEL
3	RAISED HATCH W/ULLAGE HATCH	85316	8214	MILD STEEL

MODEL NO.	PART NO.	SIZE	A	B	C	WT. (LBS.)
DF-449	6238	24 H X 42 Dia W/DF-144	42	24	5/16	520
DF-470	85308	24 H X 42 Dia W/DF-569	42	24	5/16	540

The specification and details described by drawings or text in this literature are subject to change without notice.

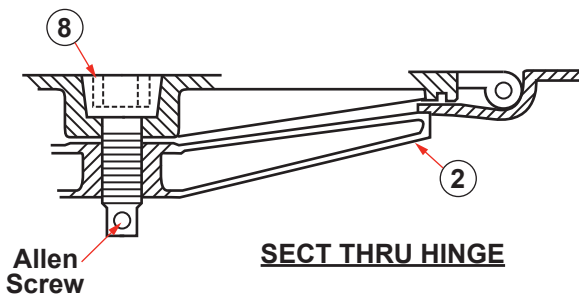


# DOORS/HATCHES



BILL OF MATERIAL		
NO.	DESC.	MAT'L
1	Cover	*
2	Yoke	* 3 arms
3	Bolt	Bronze
4	Gasket	Neoprene
5	Washer	St. Steel
6	Washer	Neoprene
7	Rod-1/2" DIA.	Steel
8	Deck Ring	*
9	Wrench	Galv. Steel
10	Hinge Pins	St. Steel
11	Keeper	*

\* Available 1 M corr. resist aluminum, gal. steel, or aluminum cover with gal. steel ring.



**SECT THRU HINGE**

Weight-lbs.

Dimensions - inches

MODEL NO.	SIZE.	COVER	RING	A	B	C	D	E	F	G
AL.	22"	21	13	5-1/2	12-1/2	28-1/2	22	1/4	30-1/4	14
ST.		63	27			23-3/4				

WEIGHT ARE FOR ALUMINUM - FOR G. STEEL, MANUF. BY 3.0

## HINGED ROUND-DOGGED TYPE

CLEAR OPENING - 22", TYPE "C" POSITIVE LOCKING

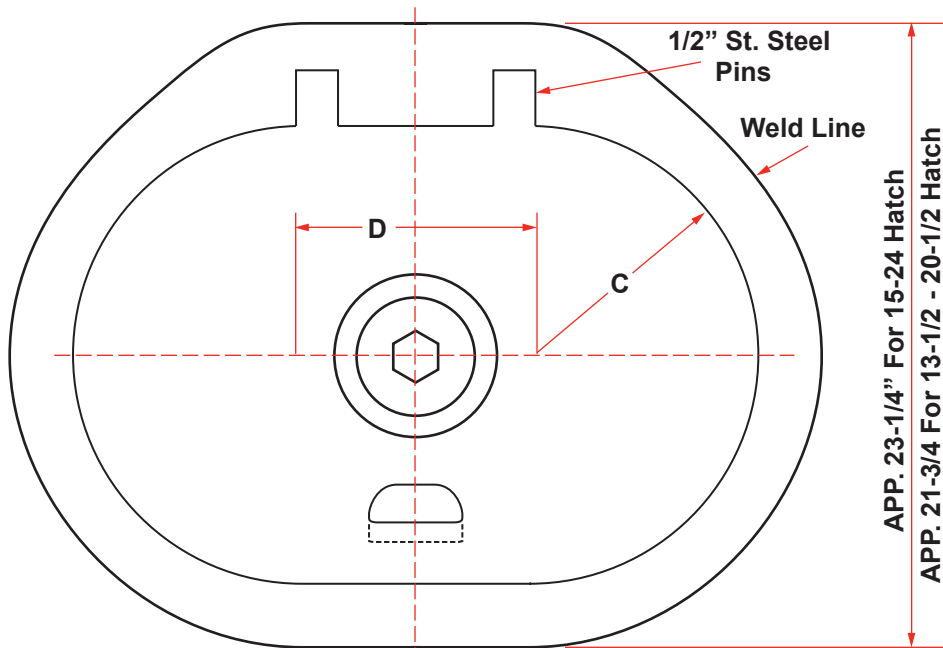
DOORS/HATCHES



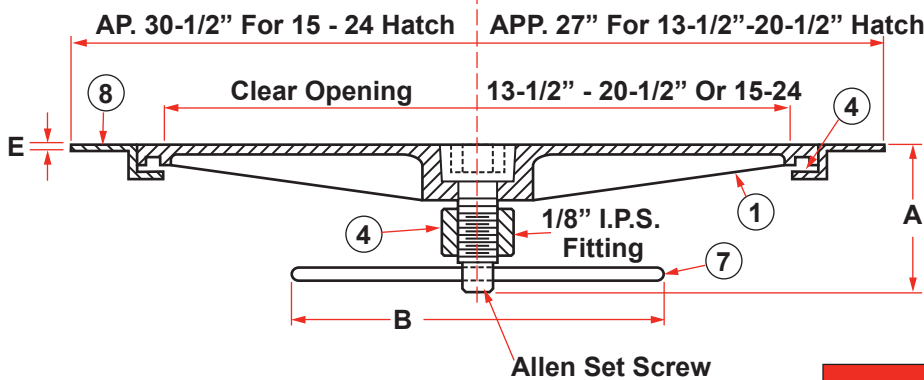




# DOORS/HATCHES

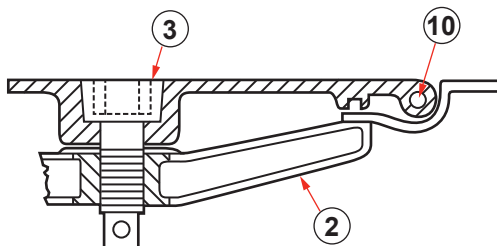


BILL OF MATERIAL		
NO.	DESC.	MAT'L
1	Cover	*
2	Yoke	*
3	Bolt	Bronze
4	Gasket	Neoprene
5	Washer	St. Steel
6	Washer	Neoprene
7	Rod-1/2" ø	Steel
8	Deck Ring	*
9	Wrench	Galv. Steel
10	Hinge Pins	St. Steel



## DIMENSIONS

HATCH SIZE	A	B	C	D	E	F
13-1/2 - 20-1/2	5-1/2	12-1/2	7-3/8	7	1/4	3/8
15 - 24	5-1/2	12-1/2	8-1/2	9	1/4	3/8



SECT THRU HINGE

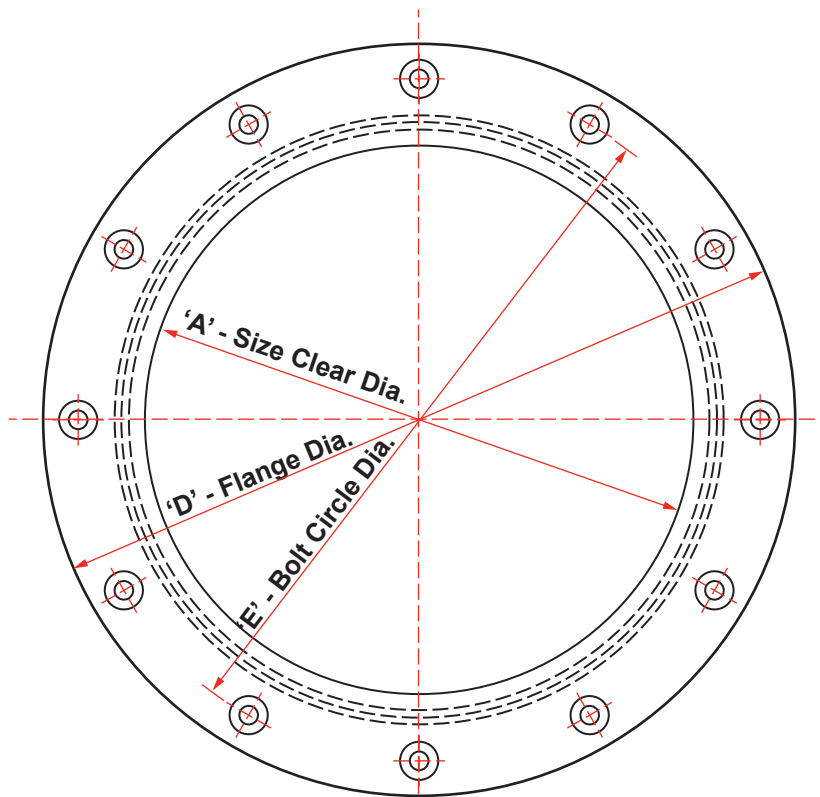
## HINGED FLUSH TYPE

HINGED OVAL DOGGED TYPE  
13-1/2" - 20-1/2" & 15 - 24 CLEAR OPENING  
TYPE "C" POSITIVE LOCKING

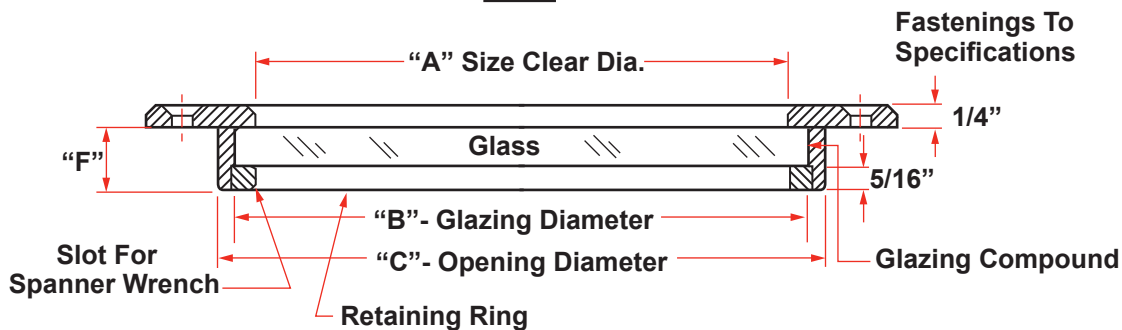
DOORS/HATCHES



# PLAIN FIXED LIGHT DRAWING NO. 500



**PLAN**



**SECTION**

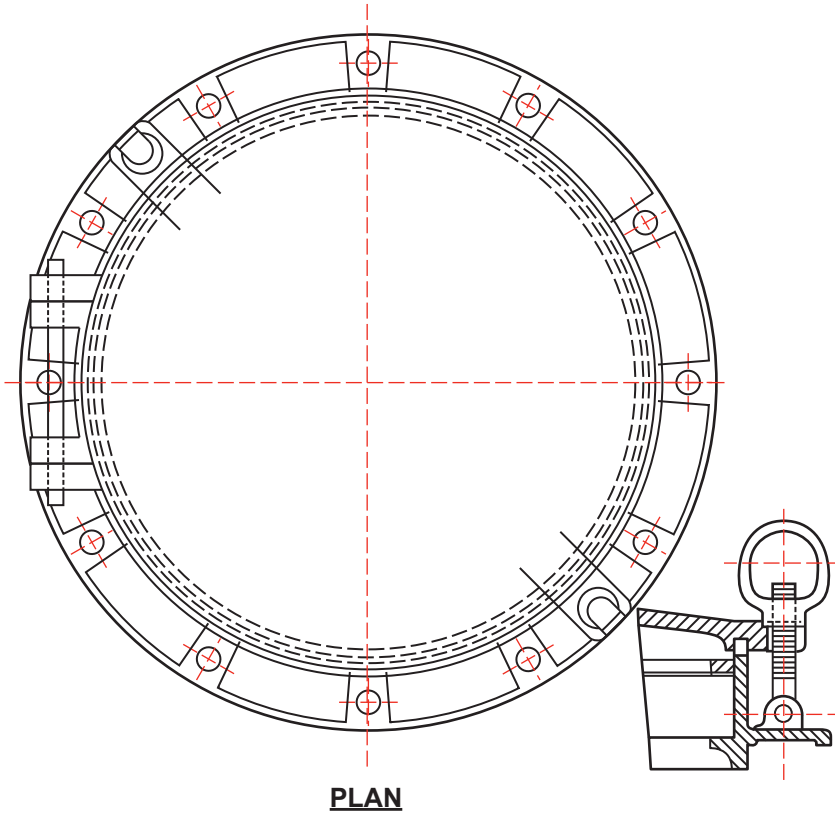
DIMENSION SCHEDULE					
A	B	C	D	E	F
10"	10-1/2"	11-1/16"	13-1/4"	12-1/4"	1-1/16"
12"	12-1/2"	13"	15-3/16"	14-3/16"	1-1/4"
16"	16-1/2"	17"	19-1/2"	18-1/2"	1-3/8"

DOORS/HATCHES

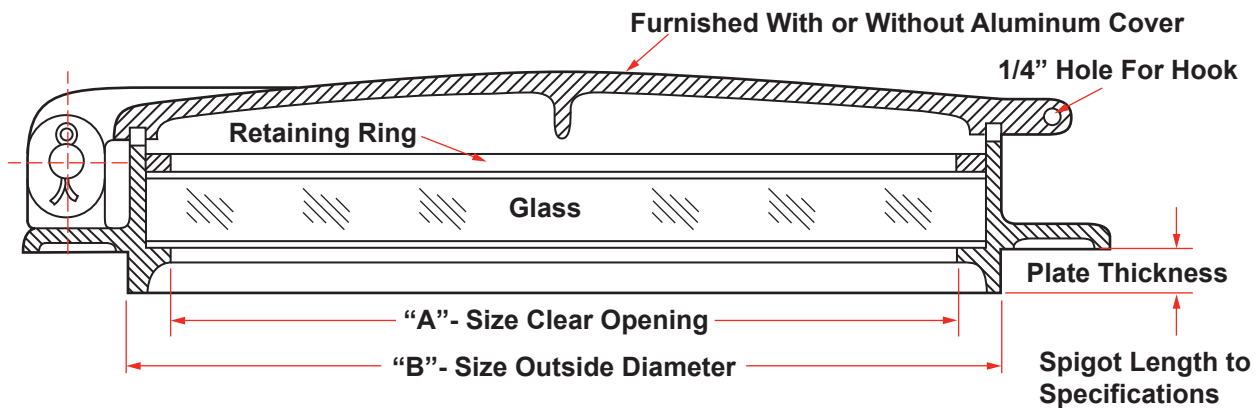




# REVERSE FIXED LIGHT DRAWING NO. 600



PLAN



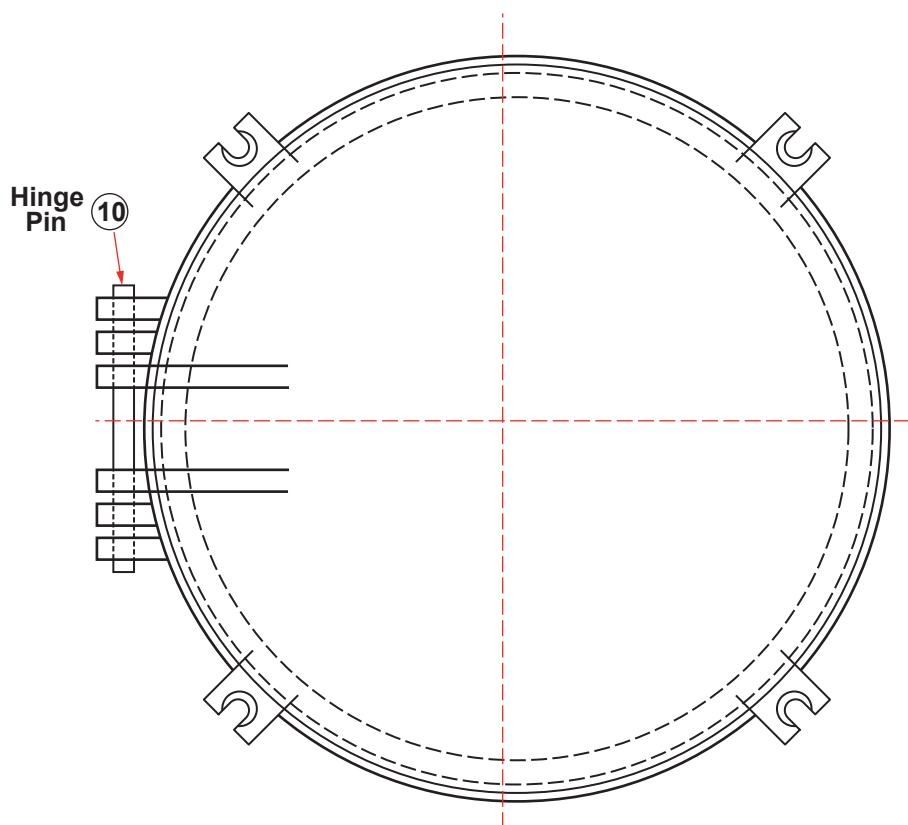
DIMENSION SCHEDULE				
A-SIZE CLR. OP.	SPIGOT MAX. LT.	B-SIZE O.S. DIA.	OVAL DIA.	BOLT HOLE
10"	1/2"	11"	13-1/4"	5/16"
12"	1/2"	13-1/8"	15-7/8"	3/8"
16"	1/2"	17-1/4"	20-3/8"	1/2"

DOORS/HATCHES



# DOORS/HATCHES

## STEEL BACK PORTLIGHT - WELD ON DRAWING NO.700

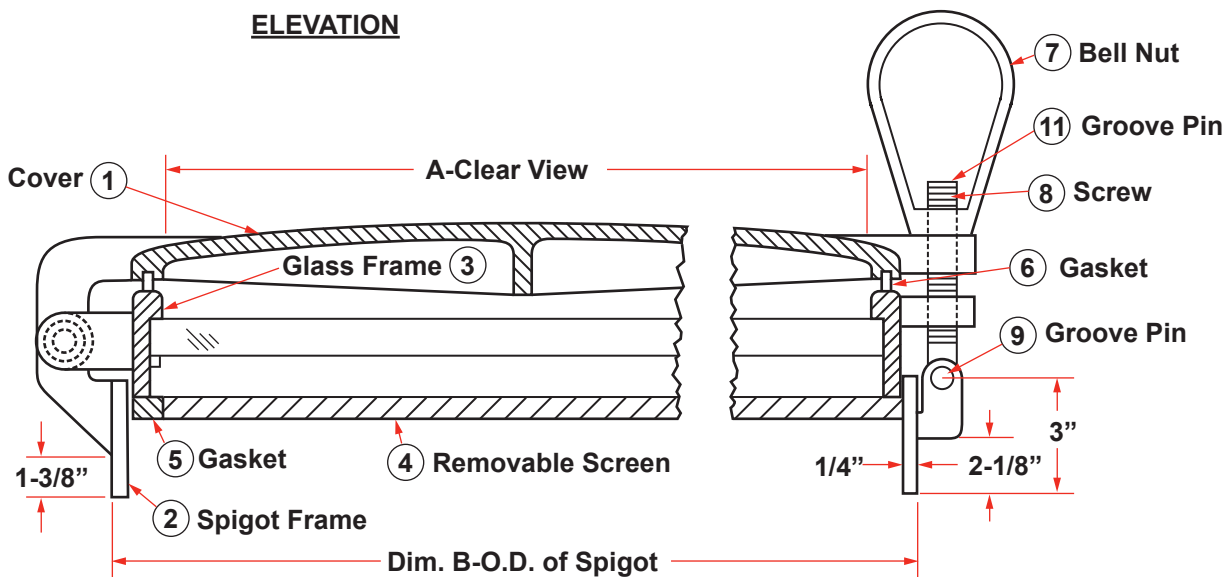


**ELEVATION**

### SCHEDULE OF MATERIAL

PC. NO.	MATERIAL
1	ALUMINUM
2	STEEL
3	BRASS
4	BRASS
5	NEOPRENE
6	NEOPRENE
7	BRASS
8	BRASS
9	STAINLESS
10	BRASS
11	STAINLESS

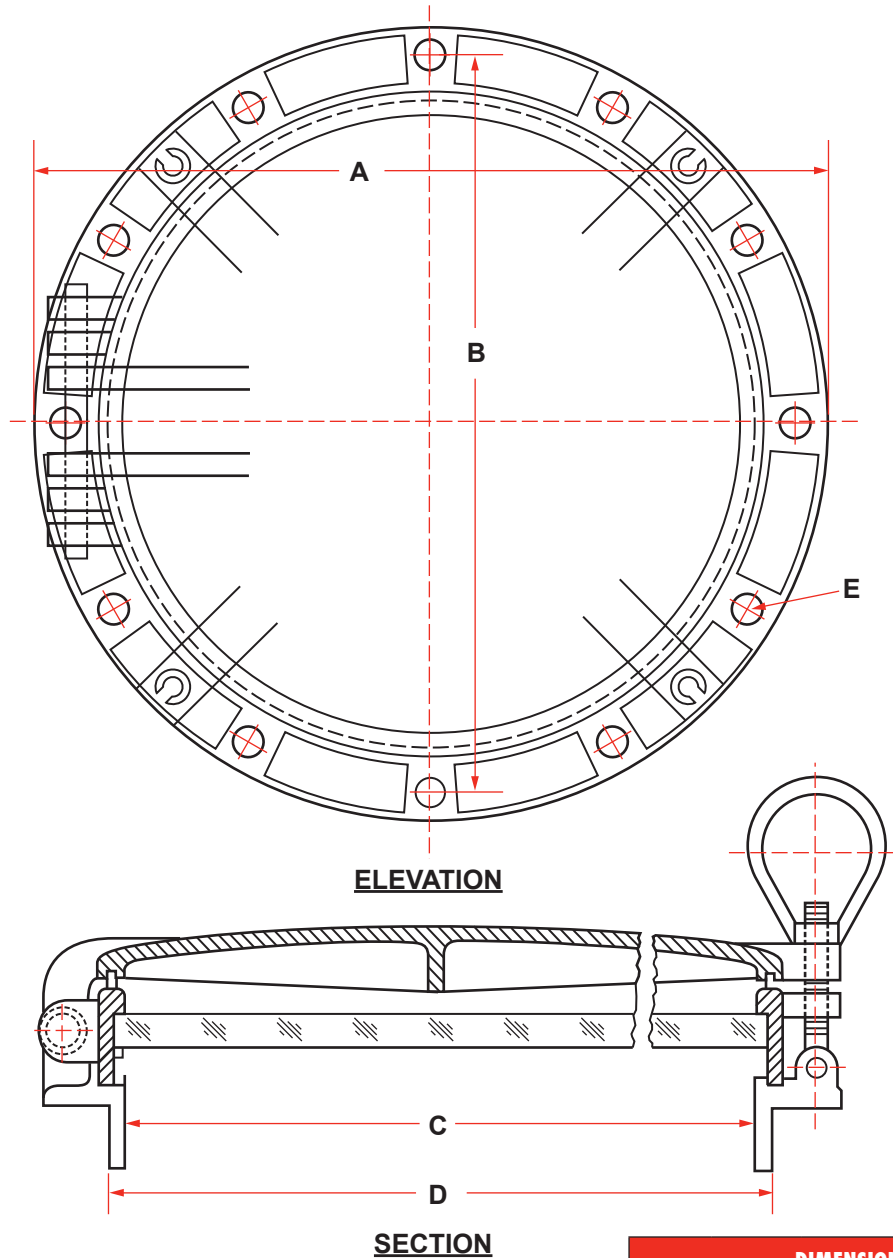
DIMENSION SCHEDULE				
SIZE	12	14	16	18
A	12"	14"	16"	18"
B	13-1/2"	15-1/2"	17-1/2"	19-1/2"



DOORS/HATCHES



# PORTLIGHT - BOLT ON DRAWING NO. 800



DIMENSION SCHEDULE					
SIZE	10	12	14	16	18
A	14-1/4"	16"	18"	20-3/8"	22-3/4"
B	12-3/4"	14-3/4"	17"	18-7/8"	21-1/8"
C	10"	12"	14"	16"	18"
D	10-3/8"	12-3/8"	14-3/8"	16-1/2"	18-1/2"
E	1/2"	1/2"	1/2"	1/2"	1/2"

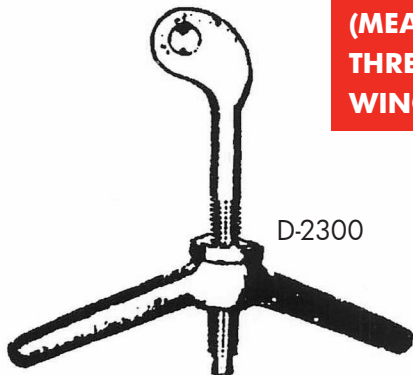
DOORS/HATCHES



# DOORS/HATCHES

## OFFSET HATCH BOLT

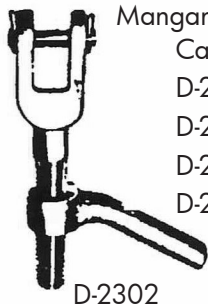
Manganese Bronze



**ON ALL DOGS SPECIFY 1) THREAD: STANDARD, ACME, OR METRIC. 2) DIAMETER. 3) LENGTH (MEASURE FROM THE CENTER OF EYE TO THREADED END). 4) INSIDE DIAMETER OF EYE. 5) WING NUT SPAN, IF APPLICABLE.**

- D-2300-1 3/4" x 9-1/2"
- D-2300-2 7/8" x 9-1/2"
- D-2300-3 5/8" x 7"

## JAW DOG WITH SWING NUT



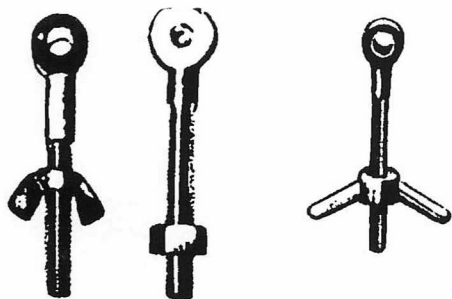
Manganese Bronze With Hinge Pins

Cat. No.	Dimensions
D-2302-1	3/8" x 6"
D-2302-2	1/2" x 6"
D-2302-3	5/8" x 6"
D-2302-4	3/4" x 6"
D-2302-5	7/8" x 9-1/2"

D-2302

## DOG BOLTS

Manganese Bronze, Stainless Steel & Steel



D-2307

w/butterfly, hex or wingnuts Specify diameter, length, type of nut and material.

## SHAPED HEAD DROP BOLT

Manganese Bronze

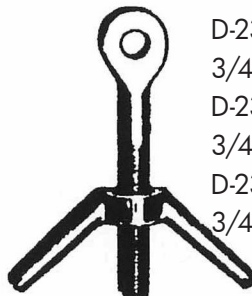


D-2308

- D-2308-1 5/8" x 3-1/2"
- D-2308-2 3/4" x 3-1/2"

## SKYLIGHT DOG WITH WING NUTS

Manganese Bronze



D-2305

- D-2305-1 3/4" x 6"
  - D-2305-2 3/4" x 5"
  - D-2305-3 3/4" x 8"
- Wing Nut Span 6"

## SADDLE DOG

Manganese Bronze



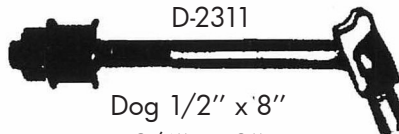
G-1900b

Sizes from 1/4" to 7/8" diameter. Complete with wing nuts and hinge pins.

## BRONZE SECURING DOG

with Hinge Clevis

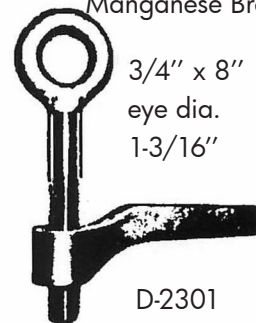
D-2311



- Dog 1/2" x 8"
- 3/4" x 19"

## EYEBOLT WITH SWING NUT

Manganese Bronze



- 3/4" x 8"
- eye dia. 1-3/16"

D-2301

## TANK & HATCH COVER BOLT

Manganese Bronze



Wing Nut Span 11"

D-2303

- 1/8" x 12-1/2"

(For Cargo Hatch Covers)

D-2304

- (For Tank Tops) 7/8" x 9-1/2"



**VENT DOGS**  
with Butterfly Nuts

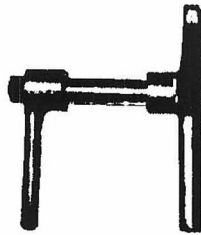
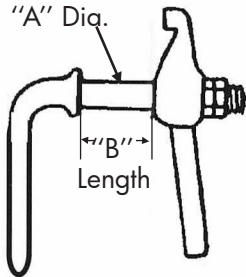
- D-2306-1 3/4" x 6"
- D-2306-2 3/4" x 5"



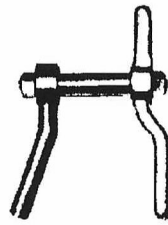


# WATERTIGHT DOOR DOGS

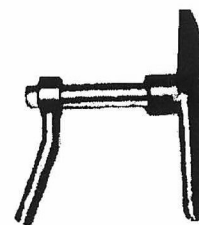
Specify Type Below: Right Hand, Left Hand or Neutral. Shaft Diameter "A", Shaft Length "B". Manganese Bronze and Aluminum



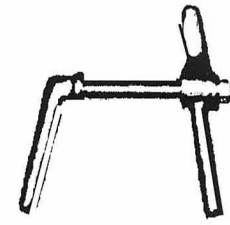
WTD-3400  
Left, Right or Neutral



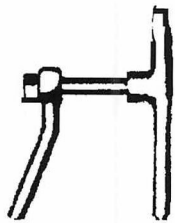
WTD-3401  
Neutral Only



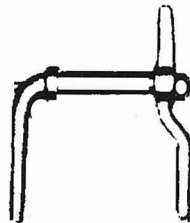
WTD-3402  
Left, Right or Neutral



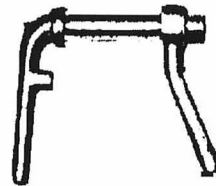
WTD-3403  
Left, Right or Neutral



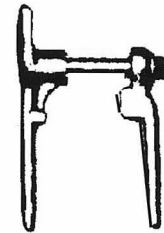
WTD-3404  
Neutral Only



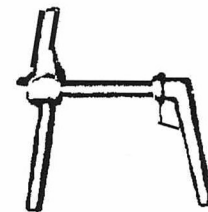
WTD-3405  
Neutral Only



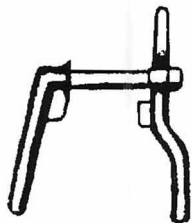
WTD-3406  
Neutral Only



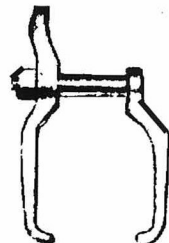
WTD-3407  
Neutral Only



WTD-3408  
Neutral Only



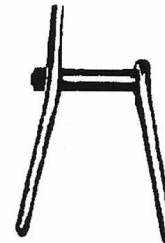
WTD-3409  
Neutral Only



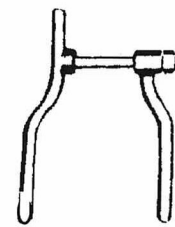
WTD-3410  
Neutral Only



WTD-3411  
Left, Right or Neutral



WTD-3412  
Neutral



WTD-3413  
Neutral

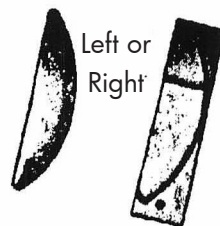
## WATERTIGHT DOOR BUSHINGS



WTD-3402-8

WTD-3411  
Left, Right or Neutral

## BRONZE DOOR WEDGES



Left or Right



Left or Right



WTD-3405t WTD-3405u WTD-3405v WTD-3405w WTD-3405x WTD-3405y WTD-3405z

DOORS/HATCHES



## DOORS/HATCHES

**WE PROUDLY SERVICE THE MARINE & OIL INDUSTRY WITH:**

- SCUTTLES
- HATCHES
- SINGLE BOLT MANHOLES
- INDIVIDUALLY DOGGED DOORS
- QUICK ACTING DOORS
- BOLTED PLATE MANHOLE
- FIXED LIGHTS
- PORTLIGHTS
- LADDERS
- PLATFORMS
- HANDRAILS
- STRUCTURAL FABRICATION

### **FABRICATION IN:**

- STEEL
- ALUMINUM
- STAINLESS

