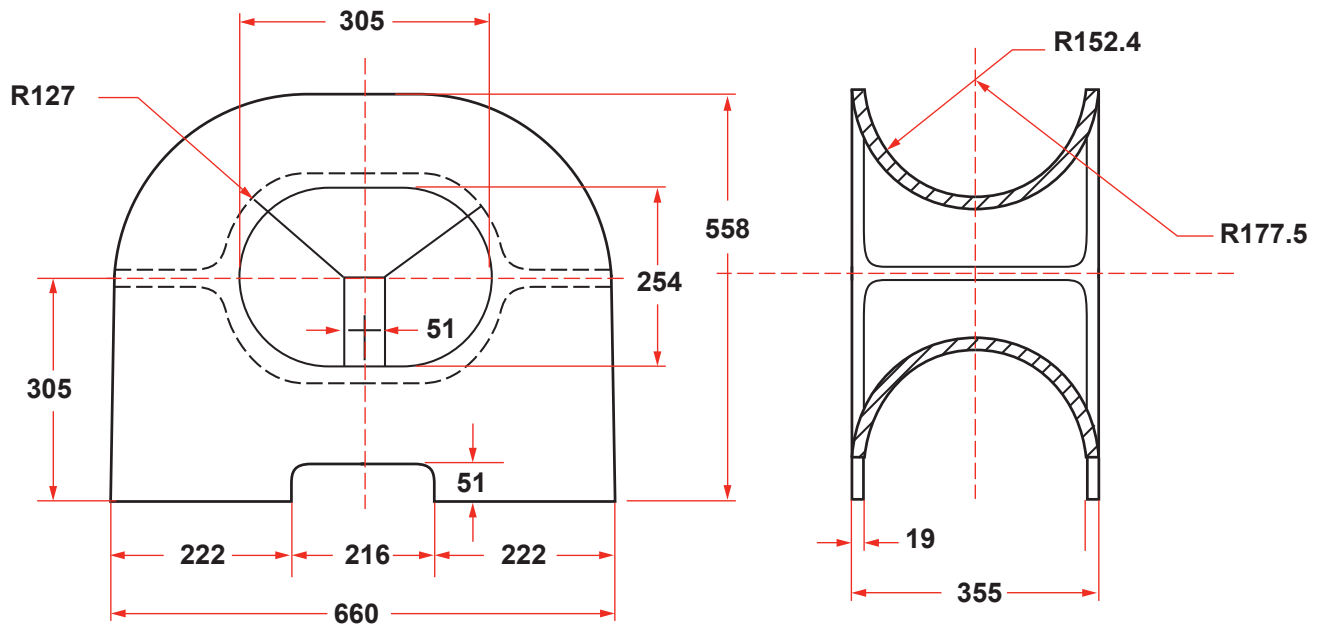


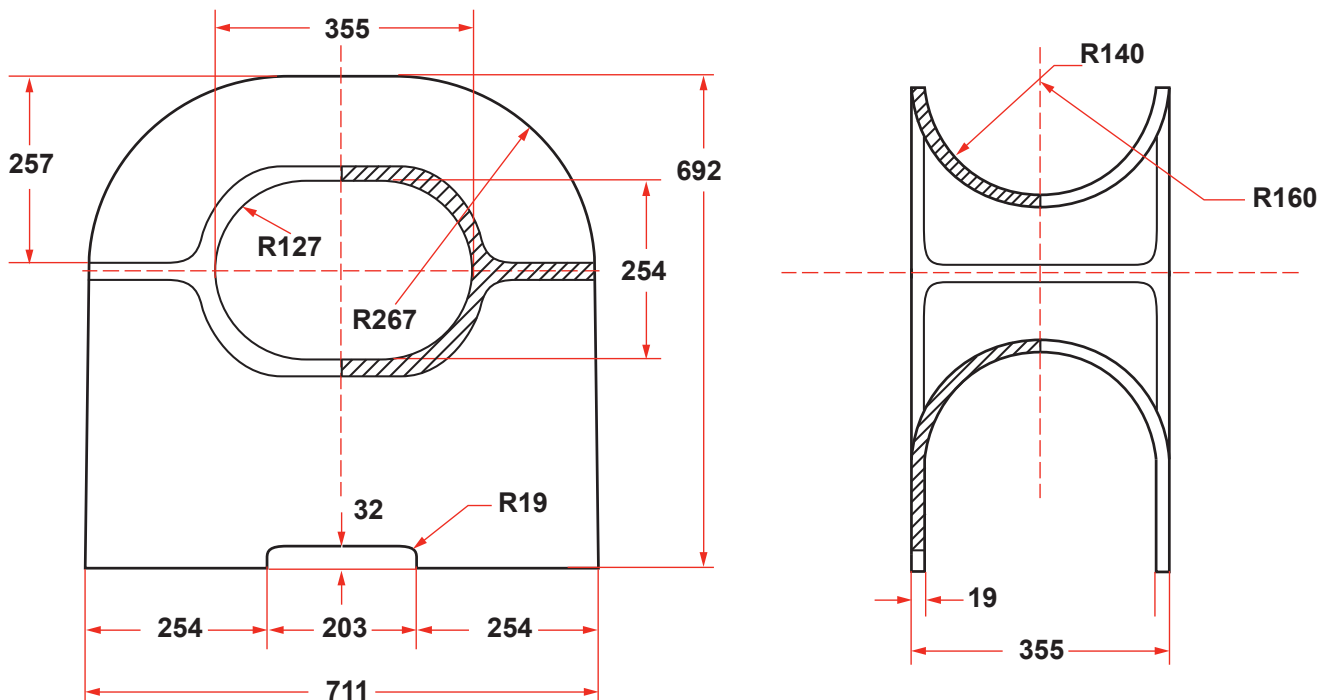


DECK FITTINGS

CHOCKS - DECK MOUNTED, SIZE 10" X 12"



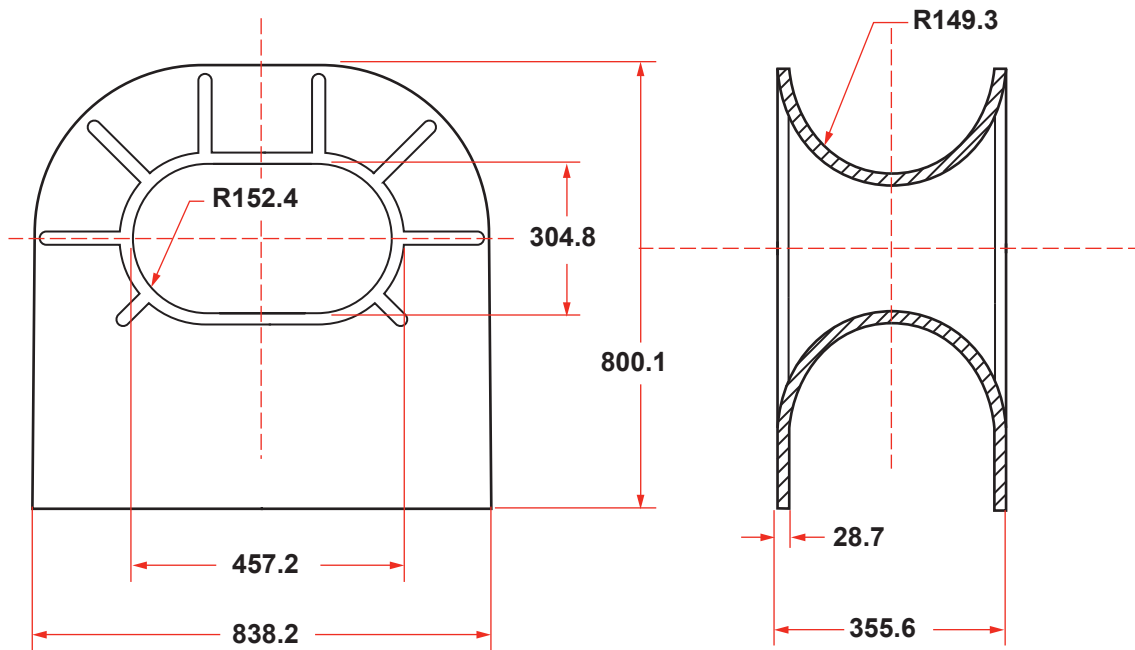
CHOCKS - DECK MOUNTED, SIZE 10" X 14"



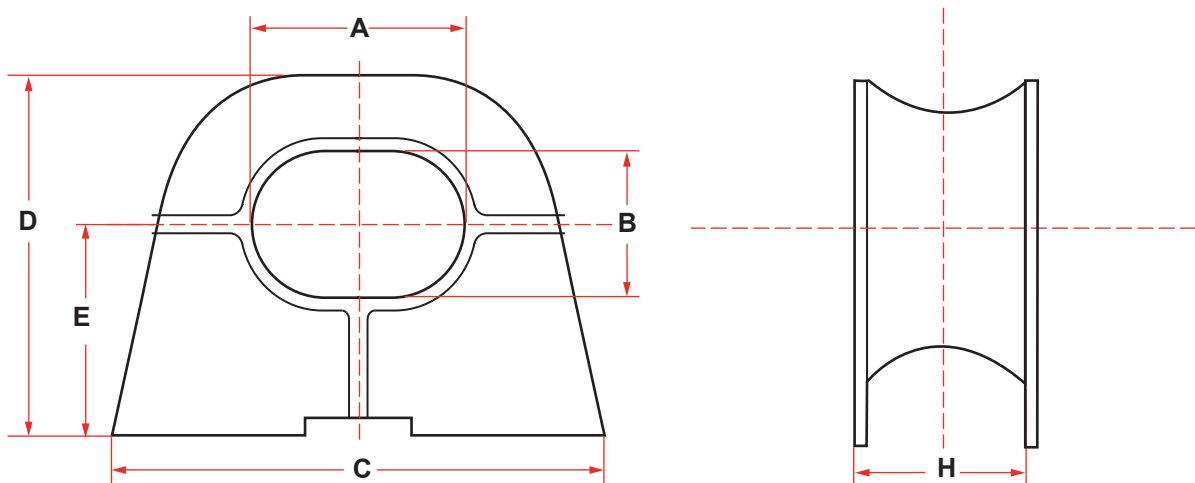
DECK FITTINGS



CHOCKS - DECK MOUNTED, SIZE 12" X 18"



CHOCKS - DECK MOUNTED, TYPE EU SIZES 10" X 12" - 18" X 24"



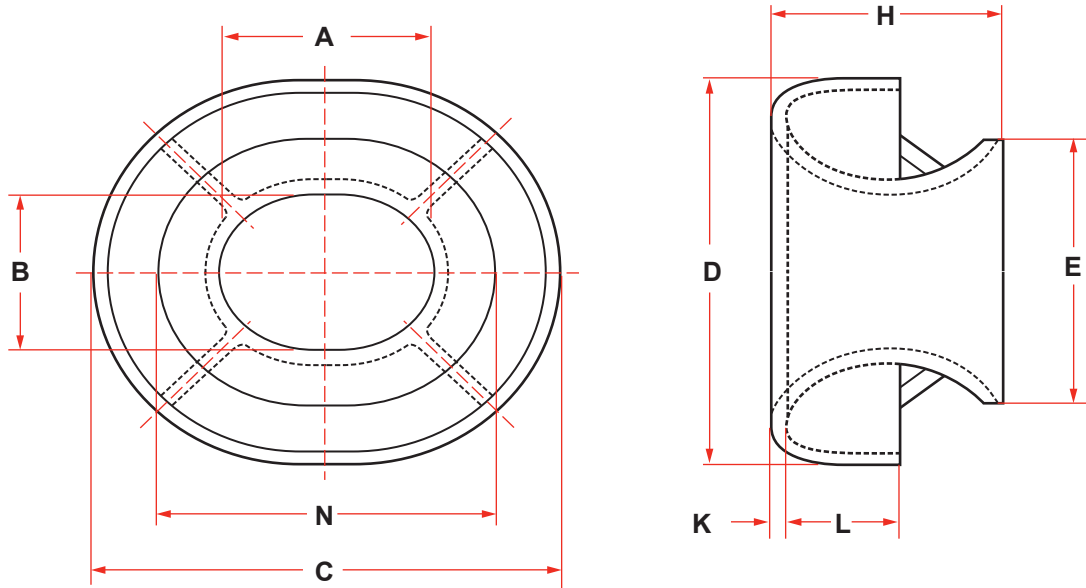
NOMINAL SIZE	DIMENSIONS (MM)						MASS (KG)
	A	B	C	D	E	H	
315 x 250	315	250	815	620	365	380	230
425 x 280	425	280	1075	785	450	500	378
600 x 315	600	315	1360	865	507	560	598
600 x 450	600	450	1360	1000	575	560	655
600 x 450	600	450	1560	1200	675	760	780

DECK FITTINGS



DECK FITTINGS

BULWARK MOUNTED PANAMA CHOCK



DIMENSIONS (MM)								MASS (KG)
A X B	C	D	E	H	K	L	N	
315 X 250	695	630	432	342	22	168	497	198
425 X 280	925	780	516	450	26	224	661	358
600 X 315	1160	875	571	504	30	250	866	547
600 X 450	1160	1010	706	504	30	250	866	629
600 X 450	1360	1160	1060	504	30	250	1260	813

DECK FITTINGS

316

HOUSTON (713) 644-1183
 FAX (713) 644-1185
 TOLL FREE 1 (800) 233-8014
 EMAIL Sales@AnchorMarineHouston.com

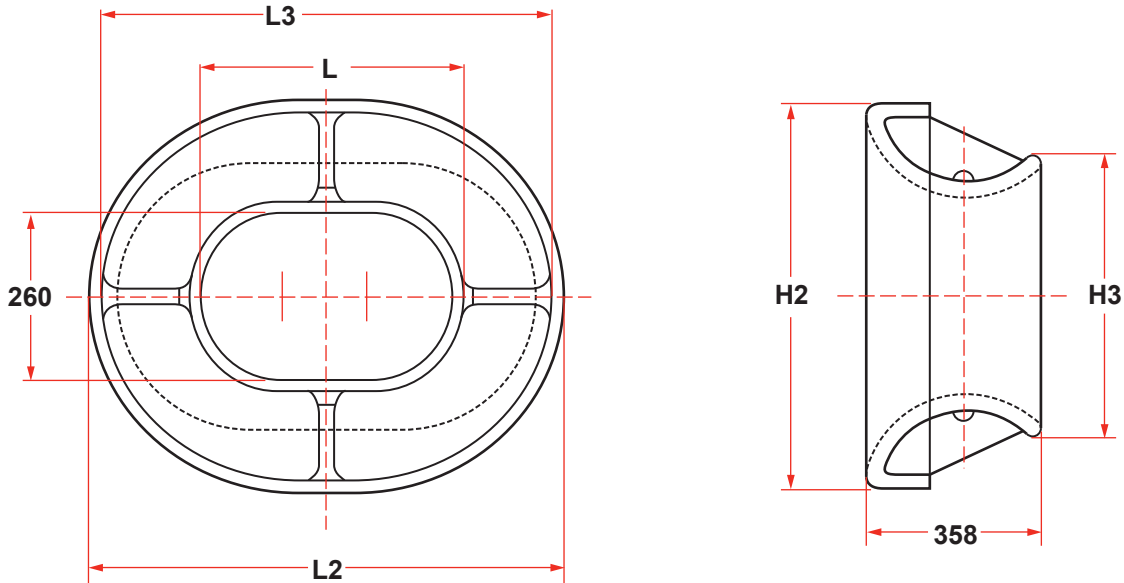
WWW.ANCHORMARINEHOUSTON.COM



Anchor
MARINE & INDUSTRIAL SUPPLY, INC.



BULWARK MOUNTED PANAMA CHOCK



DIMENSIONS (MM)						MASS (KG)
NOMINAL SIZE	L	L2	L3	H2	H3	
310	310	734	652	684	462	276
360	360	788	701	688	464	305
400	400	832	750	692	470	344
450	450	888	802	696	474	385
500	500	940	854	700	478	422

DECK FITTINGS