



# DECK FITTINGS

## STANDARD UPRIGHT ELECTRIC 40 AND 65 US TON BARGE WINCH



TAKING THE WINCH INDUSTRY BY STORM  
LOW DOWNTIME AND MAINTENANCE

### STANDARD FEATURES

- Fully reversing crane and hoist duty motors that are totally enclosed.
- Control from pilot house or deck.
- Stall pulls to 40,000 lbs.
- Improved brake holding capacity to 70,000 lbs.
- Drum guard prevents slack cable from fouling gears.
- Hand wheel for operation in the event of power loss.

### OPTIONAL FEATURES:

- Flange-mounted ball bearings for power shaft, factory installed.
- Grooved drums
- Drum flange divider
- Remote control packages:
  - NEMA 1; General purpose enclosure
  - NEMA 4; Watertight enclosure
  - NEMA 1 or 4 magnetic reversing starter
  - NEMA 1 or 4 push button station
- Wintech Winch Cables

*Wintech electric barge winches are designed to protect operator profits by speeding up tow makeup and breakdown.*

### ELECTRIC BARGE WINCH-STANDARD SPECIFICATIONS

MODEL NO.	DOG HOLDING CAPACITY (TONS)	CAPACITIES (LBS)			HOLDING (LBS)	LINE SPEED (FPM)			VOLTS	WEIGHT		
		RATED PULL	STALL PULL	HAND PULL	ELECTRIC BRAKE	NO LOAD	RATED PULL	HP	PHASE CYCLE	NET (LBS)	SHIP (LBS)	CU. FT.
301L-RC	40	3200	9000	20000	55000	50	42	5	230/460-3-60	728	785	27.0
311L-RC	40	4200	11500	20000	55000	35	31	5	230/460-3-60	728	785	27.0
321L-RC	40	4800	13000	20000	55000	50	42	7.5	230/460-3-60	859	922	27.0
331L-RC	40	6400	17500	20000	55000	23	21	5	230/460-3-60	728	791	27.0
341L-R	40	6400	17500	20000	55000	35	31	7.5	230/460-3-60	859	1038	27.0
351L-RC	40	8500	23500	20000	55000	17	15	5	230/460-3-60	728	1050	27.0
601L-RC	65	4500	1500	40000	70000	34	30	5	230/460-3-60	1290	1536	34.0
611L-RC	65	6500	22000	40000	70000	34	30	7.5	230/460-3-60	1331	1536	34.0
621L-RC	65	8500	28000	40000	70000	17	15	5	230/460-3-60	1331	1536	34.0
631L-RC	65	12000	40000	40000	70000	17	15	7.5	230/460-3-60	1361	1536	34.0
641L-RC	65	12000	40000	40000	70000	23	20	10	230/460-3-60	1361	1536	34.0

Note: All models are shown with "L" designating left hand models; for right hand models, substitute "R" for "L" in model number.  
Capacities are rated on first layer.  
\* Stall pull rate at specified voltage with holding dog engaged.

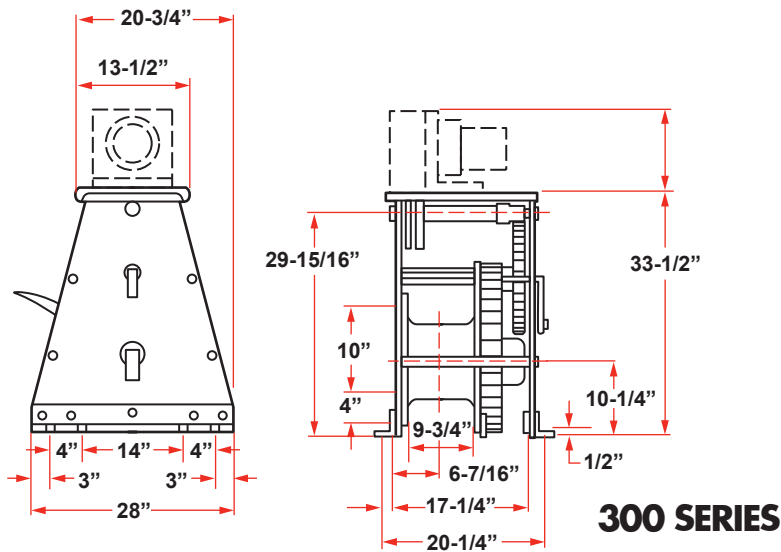
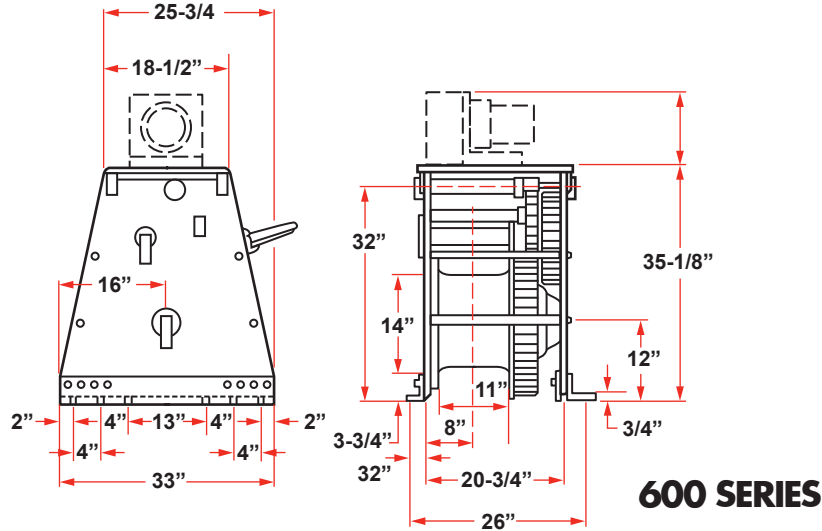
Warning: Before installation see maintenance and operations manual for additional warnings and precautions. This equipment is not to be used for lifting, supporting, or transporting people, or lifting or supporting loads over people.

DECK FITTINGS





# STANDARD UPRIGHT ELECTRIC 40 AND 65 US TON BARGE WINCH



40 TO STD-10" DRUM DIA.				
LENGTH (INCHES)	DRUM CAPACITY (FT)			
	5/8 IN.	3/4 IN.	7/8 IN.	1 IN.
9*	286	196	130	116
17	559	386	258	232
35	1174	813	546	493
51	1755	1216	818	740
69	2326	1620	1090	986

65 TO STD-14" DRUM DIA.				
LENGTH (INCHES)	DRUM CAPACITY (FT)			
	7/8 IN.	1 IN.	1-1/8 IN.	1-1/4 IN.
11*	210	133	119	67
20	418	265	240	136
41	834	531	481	274
61	1271	810	734	418
82	1686	1075	975	556

DECK FITTINGS