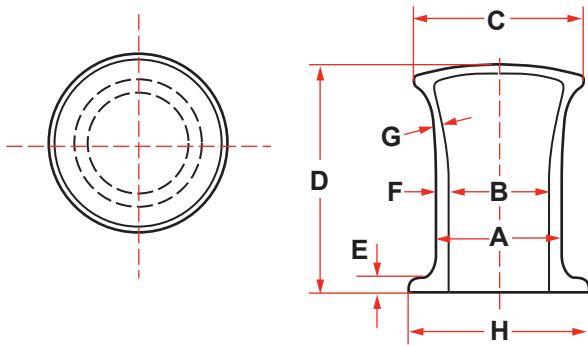


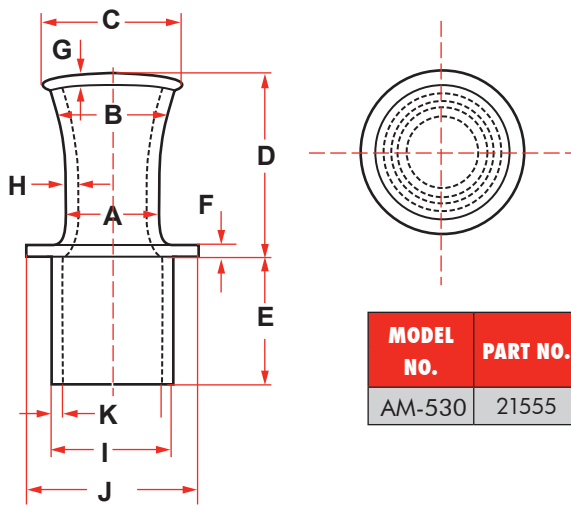


DECK FITTINGS



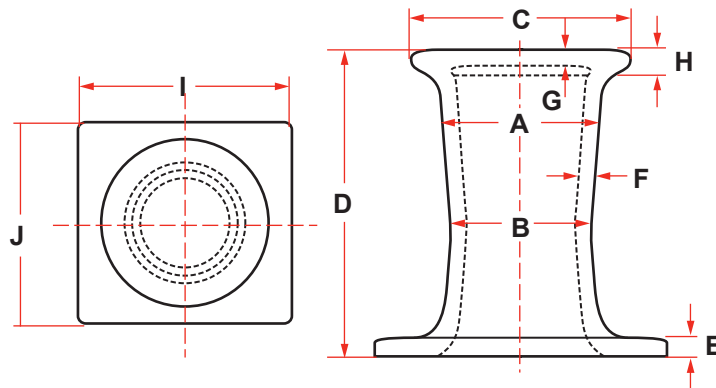
CAST STEEL SINGLE BITT

MODEL NO.	PART NO.	SIZE	DIMENSIONS (INCHES)								WEIGHT (LBS)
			A	B	C	D	E	F	G	H	
DF-SB10	20230	10	10	8	13-1/2	18	1	1	3/4	14	190



CAST STEEL SINGLE BITT THRU DECK

MODEL NO.	PART NO.	SIZE	DIMENSIONS (INCHES)										WEIGHT (LBS)	
			A	B	C	D	E	F	G	H	I	J		K
AM-530	21555	8	8	10-1/2	12	16	11	1	1	1	10-1/4	14	3/4	260



CAST STEEL SINGLE BITT

MODEL NO.	PART NO.	SIZE	DIMENSIONS (INCHES)										WEIGHT (LBS)
			A	B	C	D	E	F	G	H	I	J	
AM-588		8	8	7	11	14-3/4	1-1/4	1	3/4	1-1/2	14	14	160

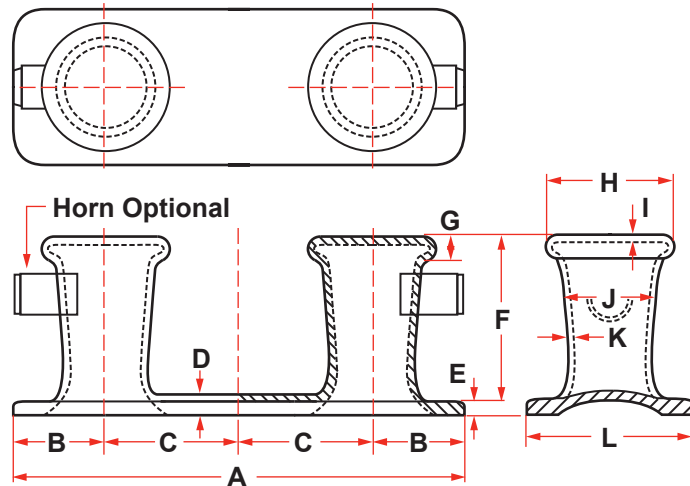
DECK FITTINGS



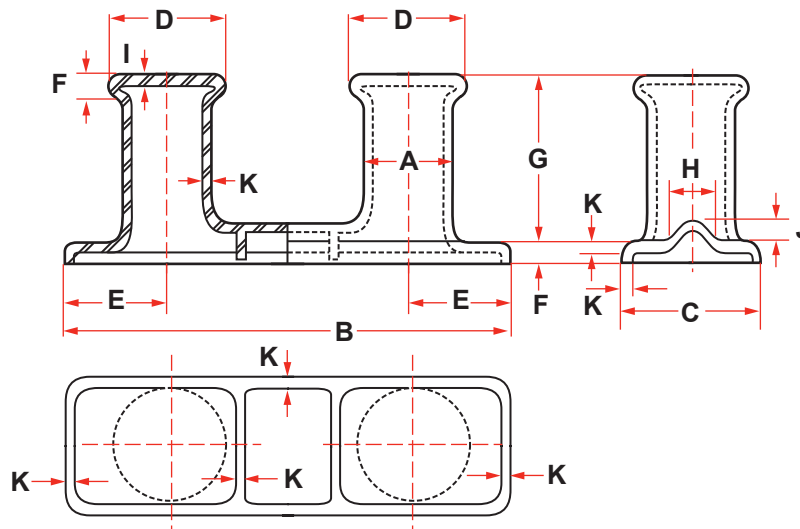
DECK FITTINGS

CAST STEEL DOUBLE BITTS

LARGER SIZES AND
TYPES AVAILABLE
UPON REQUEST



MODEL NO.	SIZE	DIMENSIONS (INCHES)												WEIGHT (LBS)
		A	B	C	D	E	F	G	H	I	J	K	L	
AM-2	8	40	8	12	2	1-1/4	16	2	11	5/8	7	5/8	14	320
AM-2A	w/ Horn													330
AM-40	10	45	9	13-1/2	2-1/4	1-1/4	18	2	13-1/2	3/4	9	1-1/4	15	545
AM-40A	w/ Horn													560



MODEL NO.	SIZE	DIMENSIONS (INCHES)											WEIGHT (LBS)
		A	B	C	D	E	F	G	H	I	J	K	
AM-491	12	12	60	18	15	13-1/2	3	22-1/2	6	1	2	1-1/4	990
AM-498	14	14	66	21	17-1/2	13	3-1/2	26-1/4	7	1	2	1-1/2	1350

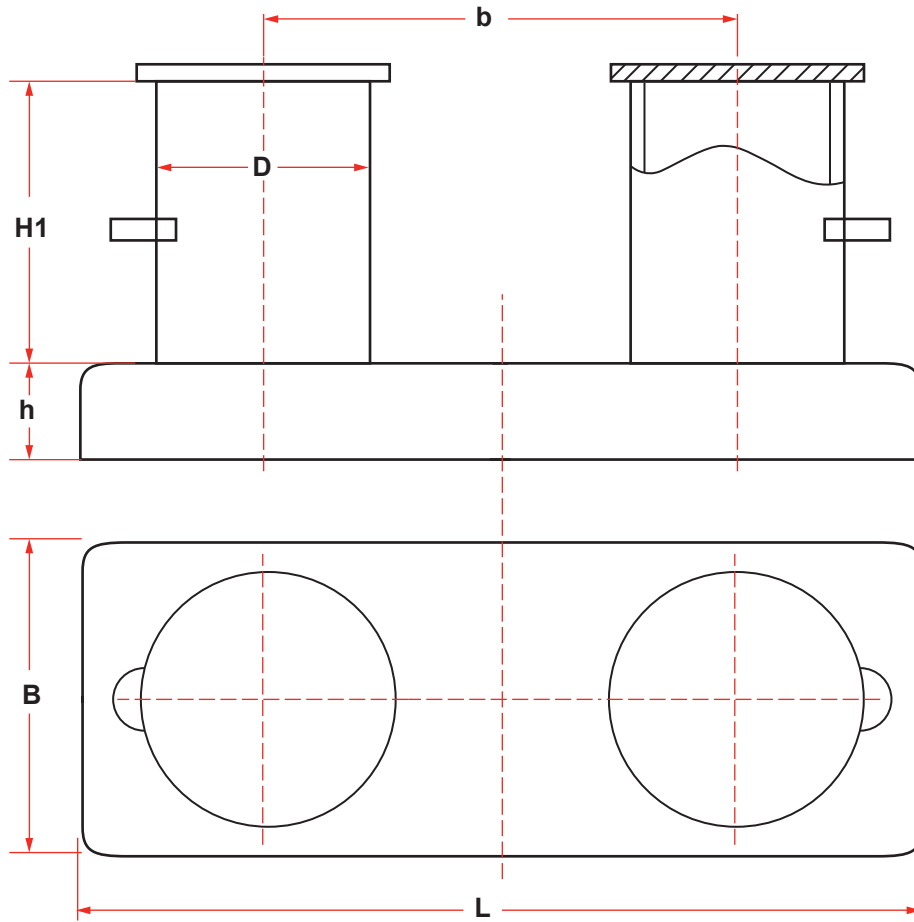
DECK FITTINGS





DECK FITTINGS

DOUBLE BITTS, FABRICATED 8" TO 20"



NOMINAL DIA.	DIMENSIONS (MM)						MAX B.L. OF ROPE (TON)	MASS (KG)
	D	H1	b	B	L	h		
100	114	150	250	165	445	50	3	19
125	139	190	315	195	540	60	4	29
160	165	250	400	225	670	70	5	45
200	216	300	500	290	860	85	8	80
250	267	380	630	360	1065	100	12	139
315	318	480	800	430	1300	125	20	261
355	355	530	890	480	1475	145	26	361
400	406	600	1000	550	1630	160	32	502
450	457	680	1130	620	1840	170	39	685
500	508	750	1250	690	2040	190	46	911
560	558	830	1380	750	2240	210	56	1208
630	609	940	1570	820	2510	225	70	1600
710	711	1050	1750	960	2840	260	82	2252
800	812	1200	2000	1100	3240	295	100	3071

DECK FITTINGS

310

HOUSTON (713) 644-1183
 FAX (713) 644-1185
 TOLL FREE 1 (800) 233-8014
 EMAIL Sales@AnchorMarineHouston.com

WWW.ANCHORMARINEHOUSTON.COM

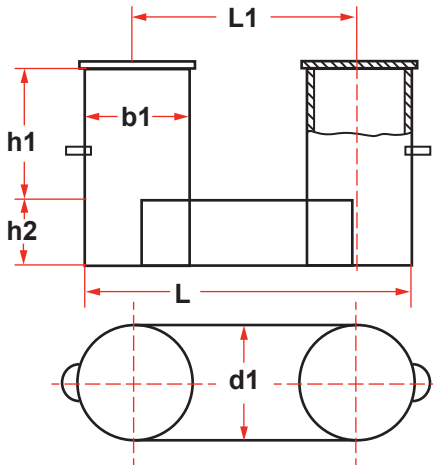


Anchor
MARINE & INDUSTRIAL SUPPLY, INC.



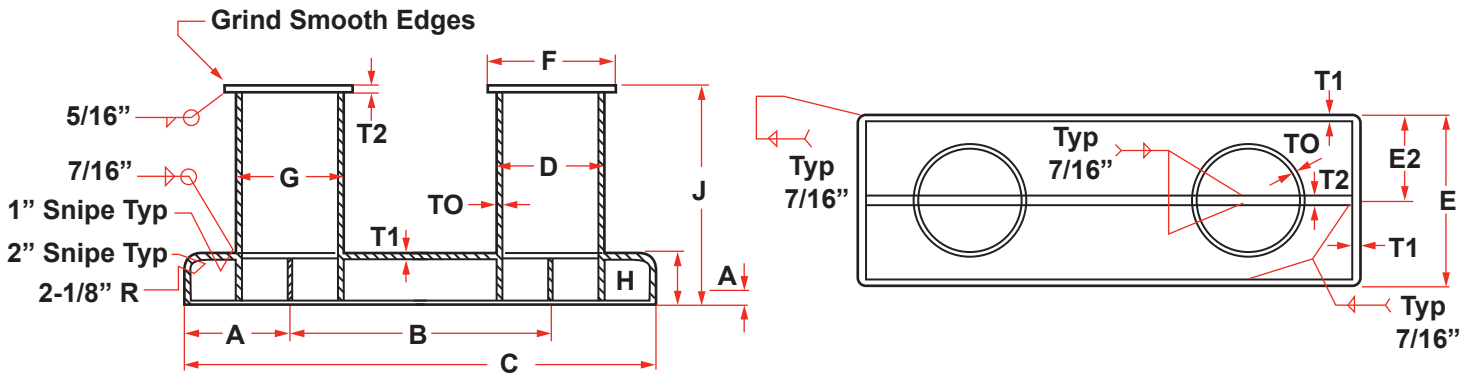
DECK BOLLARDS - DOUBLE BITTS

BOLLARDS DB-138



NOMINAL DIA.	DIMENSIONS IN MM						MAX. B.L. OF ROPE TON	MASS (KG)
	B1	D1	H1	H2	L1	L		
100	114	114	150	75	250	364	4	16
125	140	140	190	80	315	455	4	24
160	168	168	250	90	400	568	5	38
200	219	219	300	100	500	719	8	60
250	273	273	360	125	630	903	12	101
315	324	324	480	150	800	1124	20	197
400	406	406	600	175	1000	1406	32	371
500	508	508	750	200	1250	1758	46	635
630	610	610	940	225	1570	2180	70	1162
710	711	711	1050	250	1750	2461	82	1509
800	813	813	1200	275	2000	2813	100	2081

The bollard suitable for wire or rope with breaking load (tons) when cross belayed on the bollard - for mooring. When belayed on one bitt only approximately 2xBL is valid - for towing. Bollard scantlings per ISO 3913.



DIMENSIONS (INCHES)											
DRAWING	BARREL	PIPE CHED.	A	B	C	D	E	F	G	H	J
S 1051F	10	120	8-5/8	22	39-1/4	10-3/4	17-1/4	14	11	7	24
S 1052F	12	80	12-3/4	31-1/2	57	12-3/4	19	15-3/4	13	7	27
S 1123F	14	80	14-1/4	35-1/2	64	14	21-1/2	17	14-1/4	7-1/2	30
S 1124F	16	80	15-3/4	39-1/2	71	16	24	19	16-1/4	8	33
S 1128F	18	80	17-3/4	44-1/2	80	18	27	21-1/2	18-1/4	8-1/2	36
S 1345F	20	80	19-7/8	49-1/4	89	20	30	24	20-1/4	9	40
S 1346F	24	80	25	66	116	24	38	31	24-1/4	10	54