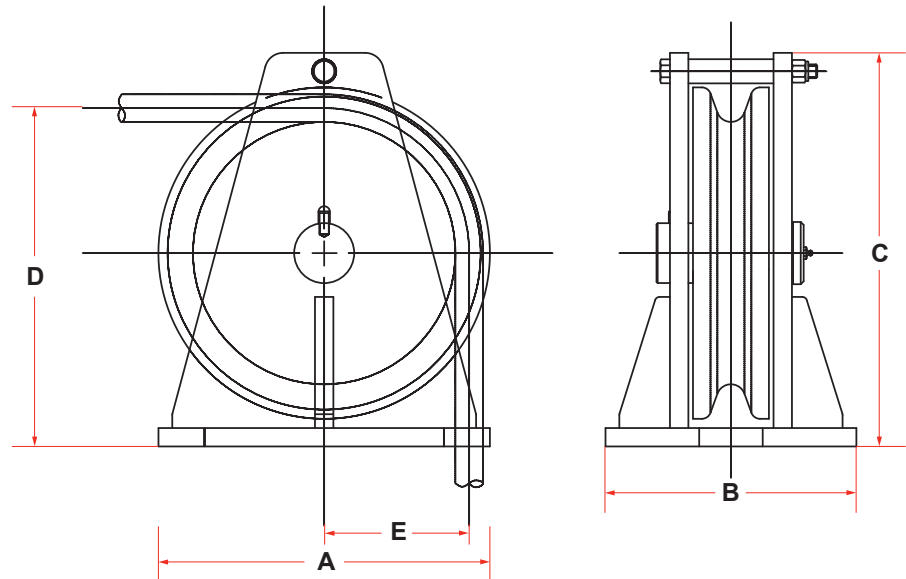




VERTICAL GUIDE SHEAVES



1100 SERIES



MODEL NO.	MAX WIRE SIZE	WIRE BREAKING STRENGTH (LBS)	SHEAVE TREAD DIA.	DIMENSIONS (INCHES)					WEIGHT (LBS)
				A	B	C	D	E	
MD-1110	3/4	58800	8-1/4	11	9	20-1/8	10-1/4	4-1/2	65
MD-1112	1	103400	9-3/4	13	11-1/2	14-3/4	12-1/4	5-3/8	105
MD-1114	1-1/4	159800	11-1/4	16	12	17-1/2	14-1/2	6-1/4	185
MD-1118	1-1/2	228000	14-1/4	18	13-5/8	21-3/8	18-3/8	7-7/8	340
MD-1124	2	396000	20	24	18	29	25-1/4	11	625
MD-1130	2-1/4	494000	24-7/8	30	23	35-3/8	31-1/16	30-15/16	1250
MD-1136	2-1/2	604000	30	36	27	43-1/2	37-3/4	16-1/4	3100
MD-1152	3	850000	44	52	39	60	53	23-1/2	4900
MD-1168	3-1/4	1223775	59-1/16	78-1/16	46	73-5/8	70-3/8	31-1/16	6020

*Dimensions subject to change without notice

STANDARD FEATURES

- Designed for Breaking Strength of EIPS-IWRC Wire Rope with 90° Wrap on the Sheave
- Cast Steel Sheave with Hardened Rope Groove for Longer Life
- Sealed Grease Lubricated Tapered Roller Bearings in Sheave
- Weld Down Mounting Base
- Removable Guide Roller
- Epoxy Primer Coating

OPTIONAL FEATURES

- Customized Design to Suit Your Application
- Multiple Sheaves
- Stainless Steel or Nylon Sheaves
- Bolt Down Mounting Base
- Load Monitoring System
- Three Coat Marine Paint System
- Third Party Certification