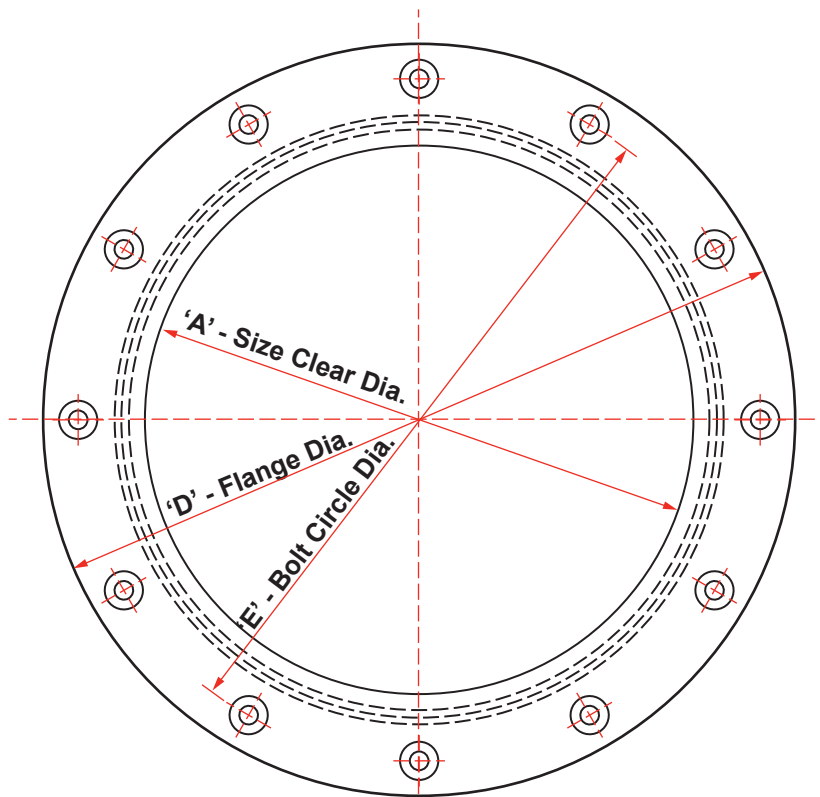
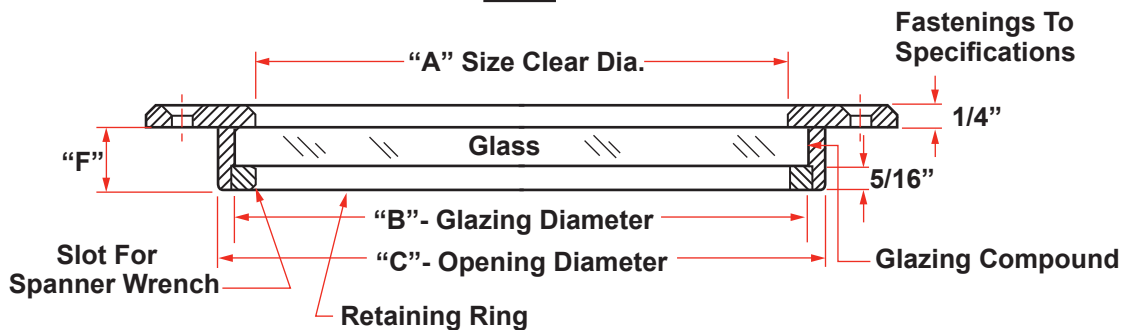




PLAIN FIXED LIGHT DRAWING NO. 500



PLAN



SECTION

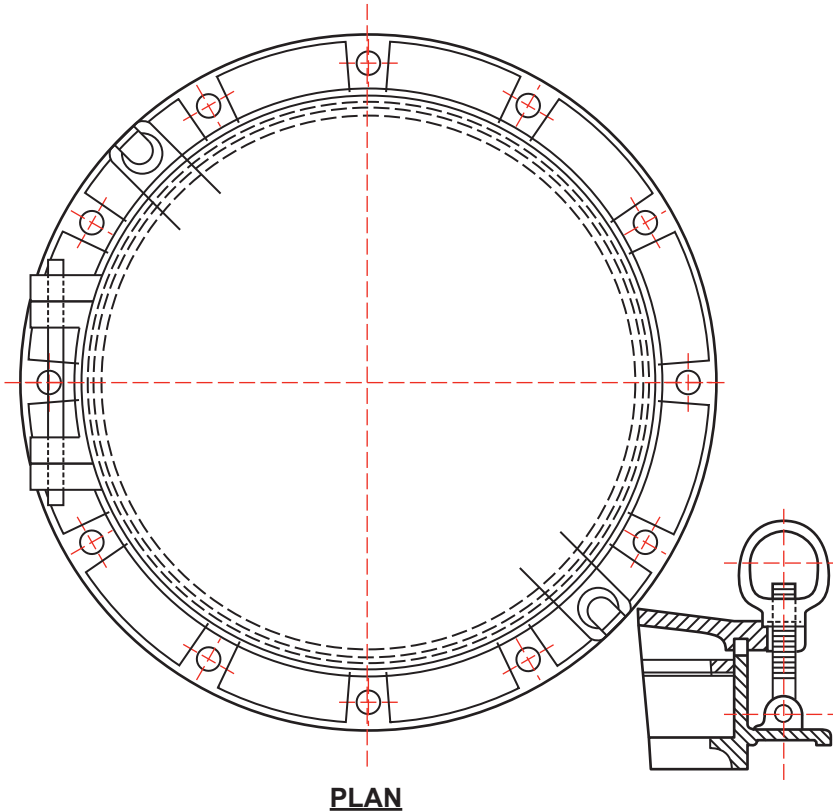
DIMENSION SCHEDULE					
A	B	C	D	E	F
10"	10-1/2"	11-1/16"	13-1/4"	12-1/4"	1-1/16"
12"	12-1/2"	13"	15-3/16"	14-3/16"	1-1/4"
16"	16-1/2"	17"	19-1/2"	18-1/2"	1-3/8"

DOORS/HATCHES

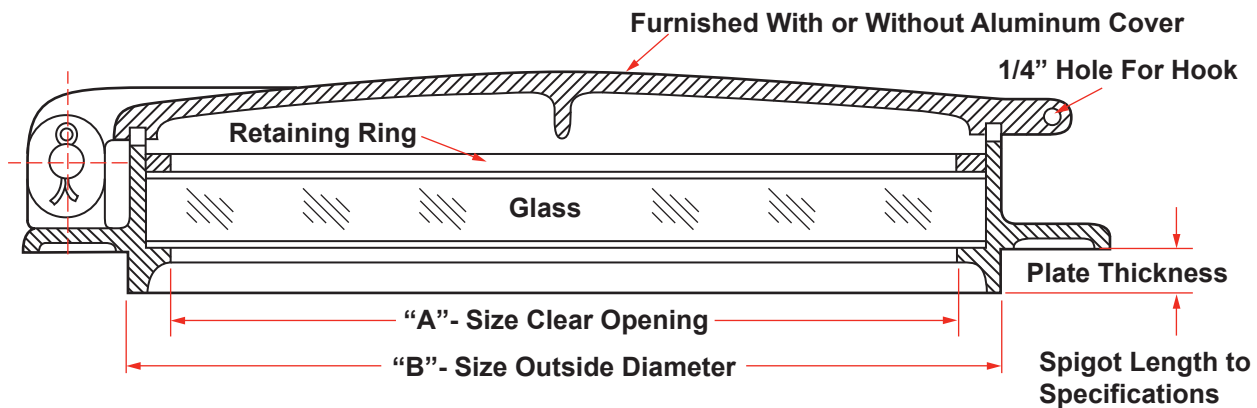




REVERSE FIXED LIGHT DRAWING NO. 600



PLAN



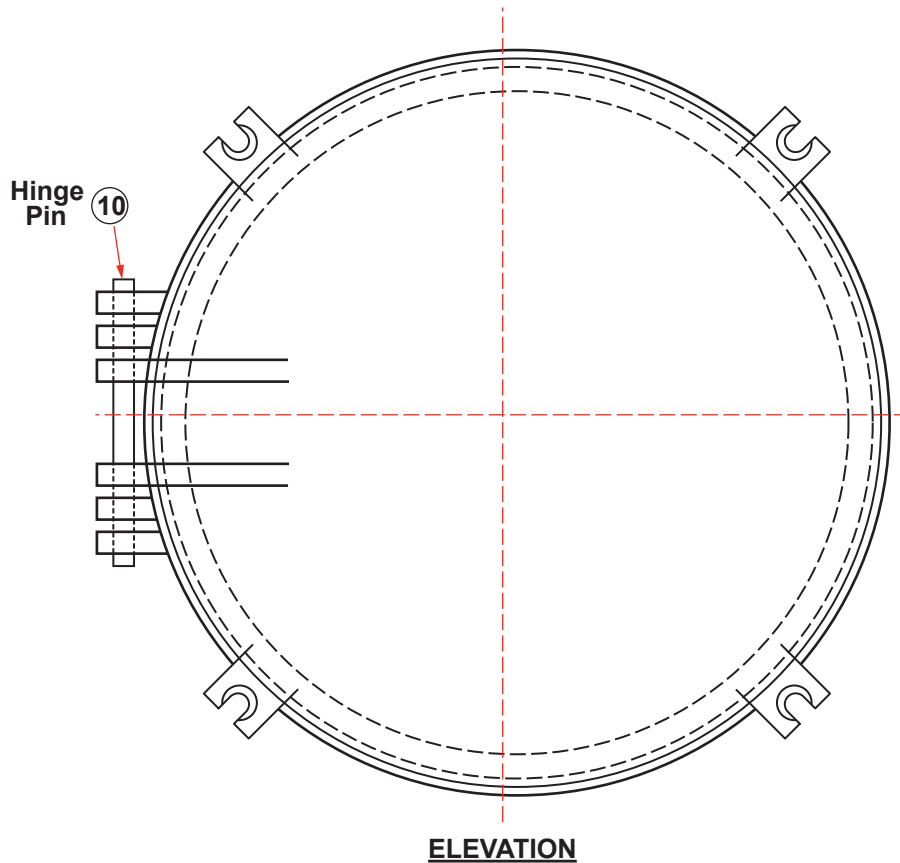
DIMENSION SCHEDULE				
A-SIZE CLR. OP.	SPIGOT MAX. LT.	B-SIZE O.S. DIA.	OVAL DIA.	BOLT HOLE
10"	1/2"	11"	13-1/4"	5/16"
12"	1/2"	13-1/8"	15-7/8"	3/8"
16"	1/2"	17-1/4"	20-3/8"	1/2"

DOORS/HATCHES



DOORS/HATCHES

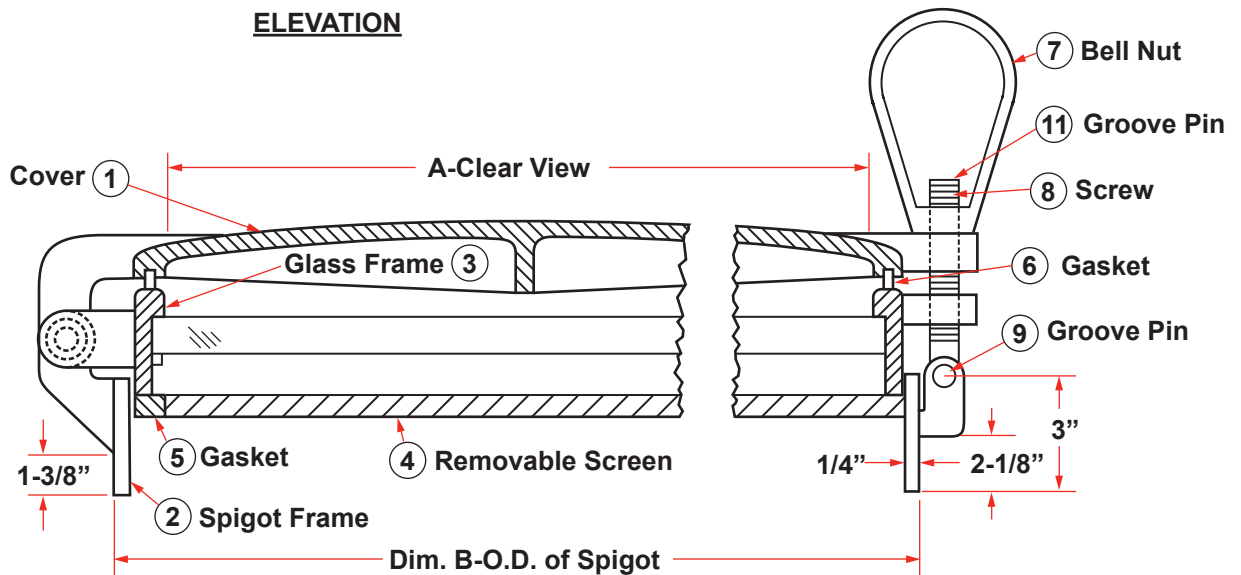
STEEL BACK PORTLIGHT - WELD ON DRAWING NO.700



SCHEDULE OF MATERIAL

PC. NO.	MATERIAL
1	ALUMINUM
2	STEEL
3	BRASS
4	BRASS
5	NEOPRENE
6	NEOPRENE
7	BRASS
8	BRASS
9	STAINLESS
10	BRASS
11	STAINLESS

DIMENSION SCHEDULE				
SIZE	12	14	16	18
A	12"	14"	16"	18"
B	13-1/2"	15-1/2"	17-1/2"	19-1/2"



DOORS/HATCHES

350

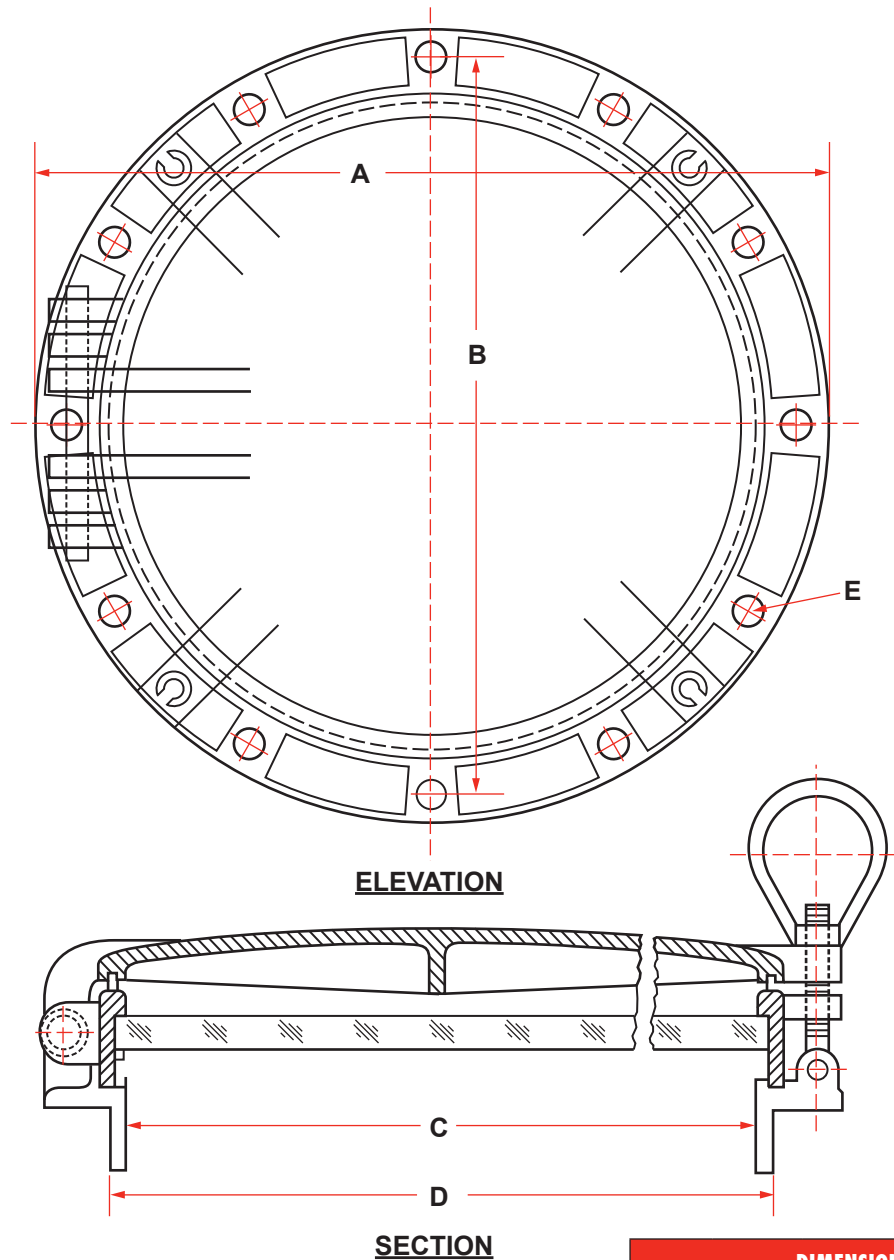
HOUSTON (713) 644-1183
 FAX (713) 644-1185
 TOLL FREE 1 (800) 233-8014
 EMAIL Sales@AnchorMarineHouston.com

WWW.ANCHORMARINEHOUSTON.COM


Anchor
 MARINE & INDUSTRIAL SUPPLY, INC.



PORTLIGHT - BOLT ON DRAWING NO. 800



DIMENSION SCHEDULE					
SIZE	10	12	14	16	18
A	14-1/4"	16"	18"	20-3/8"	22-3/4"
B	12-3/4"	14-3/4"	17"	18-7/8"	21-1/8"
C	10"	12"	14"	16"	18"
D	10-3/8"	12-3/8"	14-3/8"	16-1/2"	18-1/2"
E	1/2"	1/2"	1/2"	1/2"	1/2"

DOORS/HATCHES