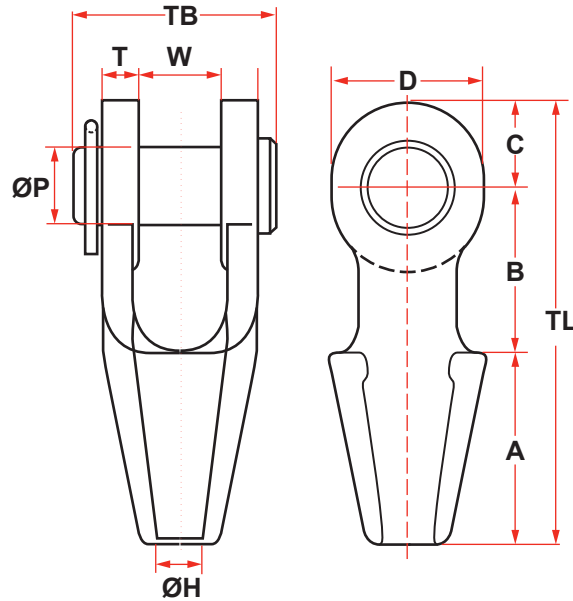




WIRE ROPE

OPEN SPELTER SOCKET WITH PIN



ALLOY CAST STEEL

MODEL NO	MBL (US TONS)	FOR WIRE Ø		DIMENSIONS (INCHES)										WEIGHT (LBS)
		MM	INCHES	A	B	C	D	ØH	Ø P	T	TL	TB	W	
OSS 196 P	9	6 - 7	1/4	1-15/16	1-9/16	3/4	1-15/16	5/16	5/8	3/8	4-5/16	2	3/4	1
OSS 197 P	13	8 - 10	3/8	2-1/4	1-3/4	7/8	1-5/8	1/2	13/16	7/16	4-7/8	2-1/2	13/16	2
OSS 198 P	22	11 - 13	7/16 - 1/2	2-1/2	2	1-1/16	1-15/16	9/16	1	1/2	5-9/16	2-5/8	1	2
OSS 199 P	28	14 - 16	9/16 - 5/8	3	2-1/2	1-1/4	2-5/16	11/16	1-3/16	9/16	6-3/4	3-3/8	1-1/4	4
OSS 100 P	44	18 - 19	3/4	3-1/2	3	1-9/16	2-3/4	13/16	1-3/8	5/8	8-1/16	3-3/4	1-1/2	7
OSS 104 P	61	20 - 22	7/8	4	3-1/2	1-3/4	3-1/8	15/16	1-5/8	3/4	9-1/4	4-5/16	1-3/4	10
OSS 108 P	83	23 - 26	1	4-1/2	4	2-3/8	4-1/8	1-1/8	2	7/8	10-13/16	5-1/16	2	18
OSS 111 P	99	27 - 30	1-1/8	5	4-1/2	2-9/16	4-1/2	1-1/4	2-1/4	1	12-1/16	5-9/16	2-1/4	26
OSS 115 P	138	31 - 36	1-1/4 - 1-3/8	5-1/2	5	2-13/16	4-15/16	1-1/2	2-1/2	1-1/8	13-5/16	6-1/8	2-1/2	35
OSS 118 P	165	37 - 39	1-1/2	6	6-3/8	3-1/8	5-9/16	1-5/8	2-3/4	1-3/16	15-1/2	6-15/16	3	51
OSS 120 P	187	40 - 42	1-5/8	6-1/2	6-1/2	3-7/16	6-1/8	1-3/4	3	1-5/16	16-7/16	7-3/8	3	60
OSS 125 P	248	43 - 48	1-3/4 - 1-7/8	7-1/2	7	3-15/16	6-15/16	2	3-1/2	1-9/16	18-7/16	8-7/16	3-1/2	90
OSS 128 P	309	49 - 54	2 - 2-1/8	8-1/2	9	4-1/4	7-5/8	2-1/4	3-3/4	1-13/16	21-3/4	9-5/8	4	128
OSS 130 P	397	55 - 60	2-1/4 - 2-3/8	9	9-13/16	4-3/4	8-1/4	2-1/2	4-1/4	2-1/16	23-9/16	10-13/16	4-7/16	187
OSS 132 P	468	61 - 68	2-1/2 - 2-5/8	9-3/4	10-3/4	5-1/4	9-5/16	2-7/8	4-3/4	2-3/8	25-3/4	11-13/16	5	260
OSS 135 P	507	69 - 75	2-3/4 - 2-7/8	11	11	5-7/16	9-7/16	3-1/8	5	2-7/8	27-3/8	13-3/16	5-1/4	342
OSS 138 P	617	76 - 80	3 - 3-1/8	12	11-1/4	5-3/4	9-15/16	3-3/8	5-1/4	3	29	14	5-3/4	381
OSS 140 P	689	81 - 86	3-1/4 - 3-3/8	13	11-3/4	6-5/16	11-7/16	3-5/8	5-1/2	3-1/8	31	14-3/4	6-1/4	507
OSS 142 P	794	87 - 93	3-1/2 - 3-5/8	14	12-1/2	7	12-5/8	3-7/8	6	3-1/4	33-9/16	15-3/4	6-3/4	584
OSS 144 P	965	94 - 102	3-3/4 - 4	15	13-1/2	7-1/2	13-3/4	4-1/4	7	3-1/2	36	17-1/8	7-1/2	816
OSS 146 P	1323	108 - 115	4-1/4 - 4-1/2	17-11/16	18-7/8	8-7/16	15-3/4	4-15/16	7-11/16	3-15/16	45-1/16	18-5/16	8-1/16	1157
OSS 150 P	1433	120 - 130	4-3/4 - 5	19-11/16	19-11/16	9-13/16	17-11/16	5-5/8	8-11/16	4-5/16	49-3/16	20-11/16	8-7/8	1620

MBL = Minimum Breaking Load
 Our standard sockets are delivered in blue colour paint. Hot dipped galvanized is also available. All sockets can be provided with Declaration of compliance according EN 1024-2.1, Material certificate according EN 10204-3.1 and EC Declaration according machine directive 98/37/EC.

WIRE ROPE

WWW.ANCHORMARINEHOUSTON.COM

166

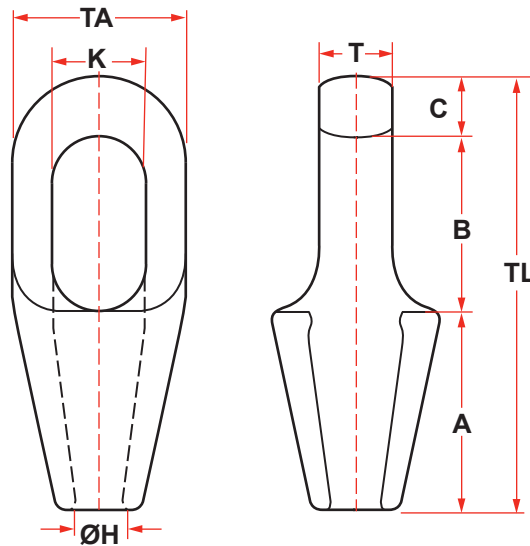
HOUSTON (713) 644-1183 FAX (713) 644-1185 TOLL FREE 1 (800) 233-8014 EMAIL Sales@AnchorMarineHouston.com



Anchor
MARINE & INDUSTRIAL SUPPLY, INC.



CLOSED SPELTER SOCKET



ALLOY CAST STEEL

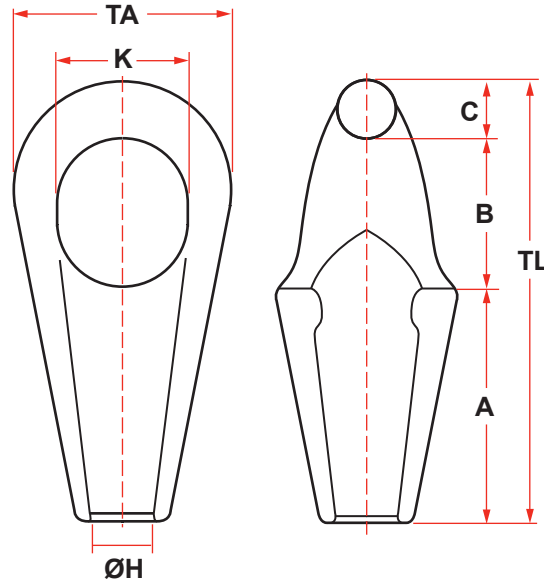
MODEL NO.	MBL (US TONS)	FOR WIRE Ø		DIMENSIONS (INCHES)								WEIGHT (LBS)
		MM	INCHES	A	B	C	ØH	K	T	TA	TL	
CSS 296	9	6 - 7	1/4	1-15/16	1-9/16	7/16	5/16	7/8	1/2	1-7/16	4	1
CSS 297	13	8 - 10	3/8	2-1/4	1-7/8	9/16	1/2	1	11/16	1-11/16	4-11/16	1
CSS 298	22	11 - 13	7/16 - 1/2	2-1/2	2-5/16	11/16	9/16	1-3/16	7/8	2	5-1/2	2
CSS 299	28	14 - 16	9/16 - 5/8	3	2-9/16	13/16	11/16	1-7/16	1	2-5/8	6-3/8	3
CSS 200	44	18 - 19	3/4	3-1/2	3-1/16	1-1/16	13/16	1-5/8	1-1/4	3	7-5/8	5
CSS 201	61	20 - 22	7/8	4	3-9/16	1-5/16	15/16	1-7/8	1-1/2	3-5/8	8-13/16	8
CSS 204	83	23 - 26	1	4-1/2	4-1/16	1-7/16	1-1/8	2-1/4	1-3/4	4-1/8	9-15/16	12
CSS 207	99	27 - 30	1-1/8	5	4-9/16	1-9/16	1-1/4	2-1/2	2	4-1/2	11-1/8	15
CSS 212	138	31 - 36	1-1/4 - 1-3/8	5-1/2	5-1/8	1-11/16	1-1/2	2-3/4	2-1/4	5	12-5/16	21
CSS 215	165	37 - 39	1-1/2	6	6-1/8	2	1-5/8	3-1/8	2-1/2	5-3/8	14-1/8	29
CSS 217	187	40 - 42	1-5/8	6-1/2	6-3/4	2-1/8	1-3/4	3-1/4	2-3/4	5-3/4	15-3/8	37
CSS 219	248	43 - 48	1-3/4 - 1-7/8	7-1/2	7-13/16	2-3/16	2	3-11/16	3	6-3/4	17-7/16	57
CSS 222	309	49 - 54	2 - 2-1/8	8-1/2	8-13/16	2-7/16	2-1/4	3-15/16	3-1/4	7-5/8	19-3/4	83
CSS 224	397	55 - 60	2-1/4 - 2-3/8	9	9-3/4	2-7/8	2-1/2	4-7/16	3-5/8	8-1/2	21-9/16	110
CSS 226	468	61 - 68	2-1/2 - 2-5/8	9-3/4	10-5/8	3-1/8	2-7/8	5-1/2	4	9-1/2	23-1/2	143
CSS 227	507	69 - 75	2-3/4 - 2-7/8	11	11-1/4	3-1/8	3-1/8	6-1/4	4-7/8	10-3/4	25-3/8	207
CSS 228	617	76 - 80	3 - 3-1/8	12	11-3/4	3-1/4	3-3/8	6-3/4	5-1/4	11-1/2	27	243
CSS 229	689	81 - 86	3-1/4 - 3-3/8	13	12-1/4	4	3-5/8	7-1/4	5-3/4	12-1/4	29-1/4	320
CSS 230	794	87 - 93	3-1/2 - 3-5/8	14	13	4	3-7/8	7-3/4	6-1/4	13	31	401
CSS 231	965	94 - 102	3-3/4 - 4	15	14	4-1/4	4-1/4	8-1/2	7	14-1/4	33-1/4	463
CSS 233	1323	108 - 115	4-1/4 - 4-1/2	17-11/16	16-3/4	4-15/16	4-15/16	9-1/4	7-1/2	15-15/16	39-3/8	728
CSS 240	1433	120 - 130	4-3/4 - 5	19-11/16	20-11/16	4-15/16	5-5/8	10-1/4	7-7/8	17-11/16	45-1/4	1102

MBL = Minimum Breaking Load
 Our standard sockets are delivered in blue colour paint. Hot dipped galvanized is also available. All sockets can be provided with Declaration of compliance according EN 1024-2.1, Material certificate according EN 10204-3.1 and EC Declaration according machine directive 98/37/EC.



WIRE ROPE

SHORT BOW SOCKETS



HIGH ALLOY CAST STEEL

MODEL NO.	MBL (US TONS)	FOR WIRE Ø		DIMENSIONS (INCHES)							WEIGHT (LBS)
		MM	INCHES	A	B	C	ØH	K	TA	TL	
SBS 517	176	37 - 42	1-1/2 - 1-5/8	6-3/8	4-1/16	1-1/2	1-3/4	3-5/8	5-13/16	11-13/16	24
SBS 519	220	43 - 48	1-3/4 - 1-7/8	7-3/8	4-3/4	1-5/8	2	4-7/16	7	13-11/16	33
SBS 522	276	49 - 54	2 - 2-1/8	8-1/16	5-3/16	2-1/8	2-1/4	4-3/4	7-7/8	15-3/8	49
SBS 524	353	55 - 60	2-1/4 - 2-3/8	9-1/16	5-3/16	2-7/16	2-1/2	5-5/16	8-11/16	17-5/16	60
SBS 526	441	61 - 68	2-1/2 - 2-5/8	9-1/4	6-1/2	2-11/16	2-7/8	5-7/8	9-13/16	18-7/16	88
SBS 527	551	69 - 75	2-3/4 - 2-7/8	11-5/16	6-7/8	2-15/16	3-1/8	6-7/16	10-13/16	21-1/4	119
SBS 528	661	76 - 80	3 - 3-5/8	12-3/8	7-11/16	3	3-3/8	6-7/8	11-5/8	23-1/16	165
SBS 529	772	81 - 86	3-1/4 - 3-3/8	12-7/8	8-1/2	3-1/4	3-5/8	7-5/8	12-5/8	24-5/8	179
SBS 530	882	87 - 93	3-1/2 - 3-5/8	10-3/16	8-11/16	3-5/8	3-7/8	7-15/16	13-3/4	26-3/8	254
SBS 531	992	94 - 102	3-3/4 - 4	14-3/8	9-1/4	3-15/16	4-1/8	8-7/16	14-3/4	27-9/16	287
SBS 533	1102	108 - 115	4-1/4 - 4-1/2	16-9/16	10-5/8	4-5/16	4-1/2	9-7/16	16-1/8	31-1/2	397

MBL = Minimum Breaking Load

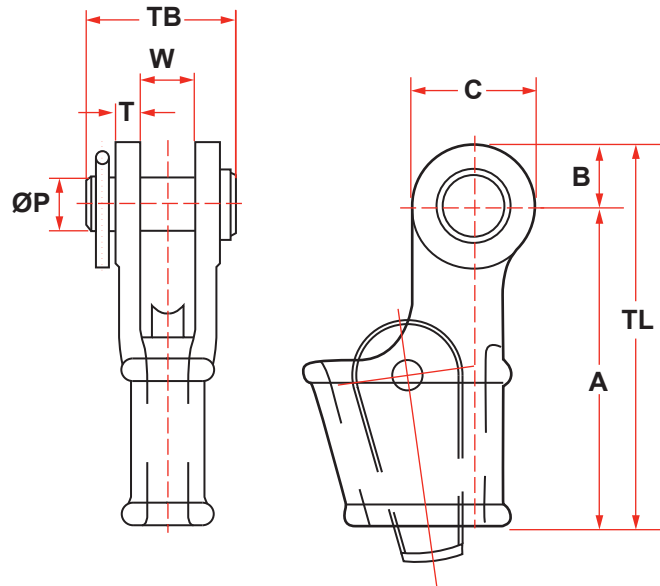
Our standard sockets are delivered in blue colour paint. Hot dipped galvanized is also available. All sockets can be provided with Declaration of compliance according EN 1024-2.1, Material certificate according EN 10204-3.1 and EC Declaration according machine directive 98/37/EC.

WIRE ROPE





OPEN WEDGE SOCKETS WITH PIN



ALLOY CAST STEEL

MODEL NO	MBL (US TONS)	FOR WIRE Ø		DIMENSIONS (INCHES)								WEIGHT (LBS)
		MM	INCHES	A	B	C	ØP	T	TB	TL	W	
OWS 0.25 P	9	7 - 8	5/16	4-5/16	3/4	1-7/16	5/8	3/8	2	5-1/16	11/16	2
OWS 0.5 P	13	9 - 10	3/8	5-9/16	7/8	1-13/16	13/16	7/16	2-1/2	6-1/2	13/16	4
OWS 1 P	22	11 - 13	1/2	5-3/4	1-1/8	2-1/4	1	1/2	2-5/8	6-7/8	1	5
OWS 2 P	28	14 - 16	5/8	6-15/16	1-3/8	2-3/4	1-3/16	9/16	3-3/8	8-5/16	1-1/4	9
OWS 3 P	44	18 - 19	3/4	8-3/8	1-9/16	3-1/8	1-3/8	5/8	3-3/4	9-15/16	1-1/2	15
OWS 4 P	61	20 - 22	7/8	9-7/16	1-7/8	3-3/4	1-5/8	3/4	4-5/16	11-5/16	1-3/4	22
OWS 5 P	83	24 - 26	1	10-13/16	2-3/16	4-5/16	2	7/8	5-1/16	12-15/16	2	33
OWS 6 P	99	27 - 29	1-1/8	12-3/16	2-9/16	5-1/8	2-1/4	1	5-9/16	14-3/4	2-1/4	46
OWS 7 P	121	30 - 32	1-1/4	13-3/4	2-7/8	5-3/4	2-1/2	1-1/8	6-1/8	16-5/8	2-1/2	68
OWS 8 P	138	34 - 36	1-3/8	15-3/4	2-15/16	5-13/16	2-1/2	1-1/8	6-5/16	18-11/16	2-11/16	82
OWS 9 P	165	37 - 39	1-1/2	17-11/16	3-1/8	5-9/16	2-3/4	1-3/16	6-15/16	20-7/8	3	112
OWS 10 P	187	40 - 42	1-5/8	19-11/16	3-7/16	6-5/16	3	1-5/16	7-3/8	23-1/8	3	141
OWS 11 P	248	43 - 48	1-3/4 - 1-7/8	21-5/8	3-15/16	7-5/16	3-1/2	1-9/16	8-7/16	25-9/16	3-1/2	212
OWS 12 P	309	49 - 52	2	25-3/16	4-1/8	7-5/8	3-3/4	1-13/16	9-5/8	29-5/16	4	287
OWS 13 P	397	54 - 58	2-1/4	26	4-15/16	9-1/16	4-1/4	2-1/8	10-13/16	30-7/8	4-1/2	397
OWS 14 P	468	60 - 68	2-1/2	32-7/8	5-5/16	9-13/16	4-3/4	2-3/8	11-13/16	38-3/16	5	606
OWS 15 P	507	72 - 76	3	39-3/8	5-7/8	10-5/8	5-1/4	3	14	45-1/4	5-3/4	970
OWS 16 P	689	81 - 86	3-1/4 - 3-3/8	43-5/16	6	11-13/16	5-1/2	3-1/8	14-12/16	49-5/16	6-1/4	1124

WIRE ROPE

MBL = Minimum Breaking Load
 Our standard sockets are delivered in blue colour paint. Hot dipped galvanized is also available. All sockets can be provided with Declaration of compliance according EN 1024-2.1, Material certificate according EN 10204-3.1 and EC Declaration according machine directive 98/37/EC.