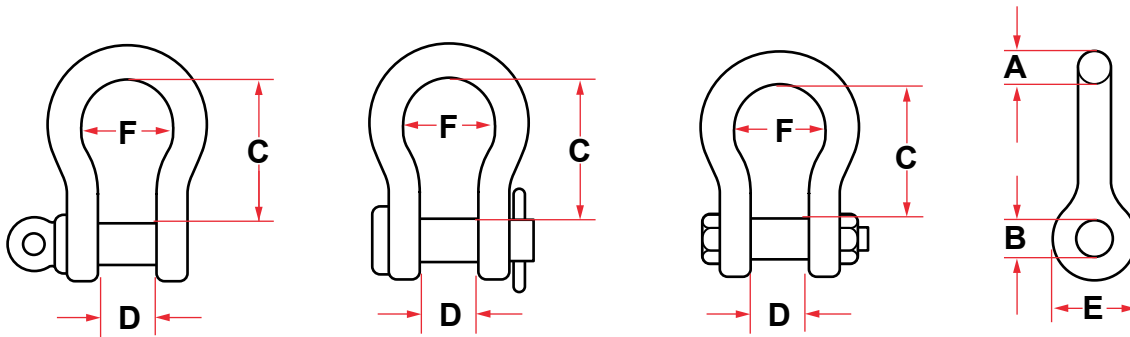




HARDWARE

ANCHOR PATTERN SHACKLES



HEAT-TREATED, DROP FORGED CARBON STEEL
 ANCHOR SHACKLE: SCREW PIN, ROUND PIN, SAFETY BOLT PIN

RATED LOAD TONS	DIMENSIONS (INCHES)						WEIGHT IN POUNDS	
	A	B	C	D	E	F	SCREW PIN OR ROUND PIN	SAFETY BOLT
1/3	3/16	1/4	7/8	3/8	9/16	19/32	0.05	
1/2	1/4	5/16	1-1/8	1/2	3/4	3/4	0.12	
3/4	5/16	3/8	1-1/4	9/16	7/8	1	0.18	
1	3/8	7/16	1-7/16	11/16	1	1-1/8	0.3	
1-1/2	7/16	1/2	1-11/16	3/4	1-1/8	1-1/4	0.5	
2	1/2	5/8	1-7/8	13/16	1-3/16	1-5/16	0.75	0.8
3-1/4	5/8	3/4	2-7/16	1-1/16	1-9/16	1-11/16	1.5	1.6
4-3/4	3/4	7/8	3	1-1/4	1-7/8	2	2.16	3.0
6-1/2	7/8	1	3-5/16	1-7/16	2-1/8	2-1/4	3.37	4.0
8-1/2	1	1-1/8	3-3/4	1-11/16	2-3/8	2-5/8	5.3	5.5
9-1/2	1-1/8	1-1/4	4-1/4	1-7/8	2-5/8	3	7.0	8.0
12	1-1/4	1-3/8	4-1/2	2	2-15/16	3-3/8	9.6	11.0
13-1/2	1-3/8	1-1/2	5-1/4	2-1/4	3-5/16	3-5/8	12.6	15.0
17	1-1/2	1-5/8	5-3/4	2-3/8	3-5/8	3-7/8	17.3	19.5
21	1-5/8	1-3/4	6-1/4	2-5/8	3-3/16	4-3/8	21.0	23.0
25	1-3/4	2	7	2-7/8	4-5/16	5	27.8	31.5
35	2	2-1/4	7-3/4	3-1/4	5	5-3/4	41.0	42.0
42	2-1/4	2-1/2	8-3/4	3-7/8	5-1/2	6-1/2	65.0	69.0
55	2-1/2	2-3/4	10	4-1/8	6	7-1/4	83.5	94.0
60	2-3/4	3	11-1/4	4-1/2	6-1/4	8	118.0	121.0
85	3	3-1/4	13	5	6-3/4	9	140.0	146.0
120	3-1/2	3-3/4	15	5-3/4	8-1/2	10-1/8		250.0
150	4	4-1/4	17	6-1/2	9-3/8	10-1/2		360.0
175	4-1/2	4-3/4	19	7-1/4	10	12-1/2		445.0

Sizes 3/16" Thru 1" Available in Stainless Steel Safety Type
 NOTES: Minimum breaking strength is six times rated working load.
 Furnished in galvanized or self colored finish.

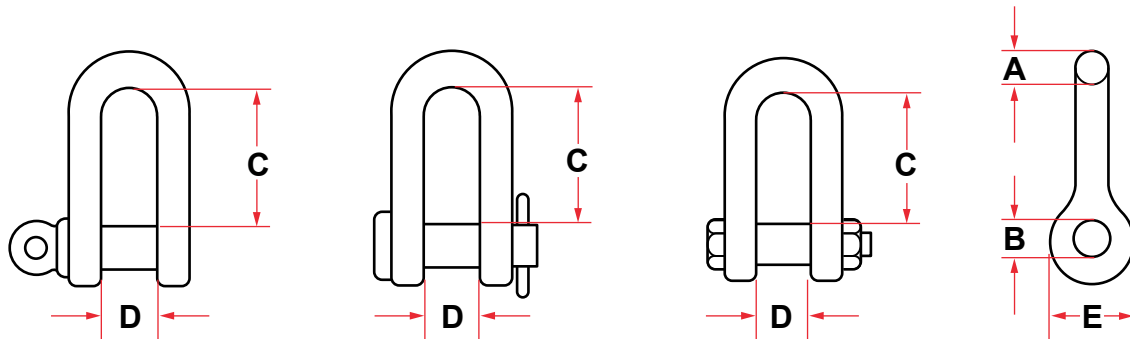
Pins are galvanized after threading.
 Shackles can be furnished with complete traceability, proof test certificates, and serial number at slight additional charge.

HARDWARE





CHAIN PATTERN SHACKLES



HEAT-TREATED, DROP FORGED CARBON STEEL
CHAIN SHACKLE: SCREW PIN, ROUND PIN, SAFETY BOLT PIN

RATED LOAD TONS	DIMENSIONS (INCHES)					WEIGHT IN POUNDS	
	A	B	C	D	E	SCREW PIN OR ROUND PIN	SAFETY BOLT
1/3	3/16	1/4	7/8	3/8	9/16	0.05	
1/2	1/4	5/16	1-1/8	1/2	3/4	0.1	
3/4	5/16	3/8	1-1/4	9/16	7/8	0.18	
1	3/8	7/16	1-7/16	11/16	1	0.25	
1-1/2	7/16	1/2	1-11/16	3/4	1-1/8	0.41	
2	1/2	5/8	1-7/8	13/16	1-3/16	0.61	0.8
3-1/4	5/8	3/4	2-7/16	1-1/16	1-9/16	1.2	1.4
4-3/4	3/4	7/8	3	1-1/4	1-7/8	2.12	2.5
6-1/2	7/8	1	3-5/16	1-7/16	2-1/8	3.28	3.8
8-1/2	1	1-1/8	3-3/4	1-11/16	2-3/8	4.6	5.5
9-1/2	1-1/8	1-1/4	4-1/4	1-7/8	2-5/8	6.3	7.5
12	1-1/4	1-3/8	4-1/2	2	2-15/16	9.25	10.8
13-1/2	1-3/8	1-1/2	5-1/4	2-1/4	3-5/16	12.19	14.3
17	1-1/2	1-5/8	5-3/4	2-3/8	3-5/8	16.15	19.0
21	1-5/8	1-3/4	6-1/4	2-5/8	3-13/16	21.0	23.0
25	1-3/4	2	7	2-7/8	4-5/16	27.0	30.5
35	2	2-1/4	7-3/4	3-1/4	5	39.5	45.0
42	2-1/4	2-1/2	8-3/4	3-7/8	5-1/2	65.0	69.0
55	2-1/2	2-3/4	10	4-1/8	6	72.0	82.0
60	2-3/4	3	11-1/4	4-1/2	6-1/4		98.0
85	3	3-1/4	13	5	6-3/4		135.0
120	3-1/2	3-3/4	15	5-3/4	8-1/2		187.0
150	4	4-1/4	17	6-1/2	9-3/8		360.0
175	4-1/2	4-3/4	19	7-1/4	10		445.0

Sizes 3/16" Thru 1" Available in Stainless Steel Safety Type
 NOTES: Minimum breaking strength is six times rated working load.
 Furnished in galvanized or self colored finish.

Pins are galvanized after threading.
 Shackles can be furnished with complete traceability, proof test certificates,
 and serial number at slight additional charge.

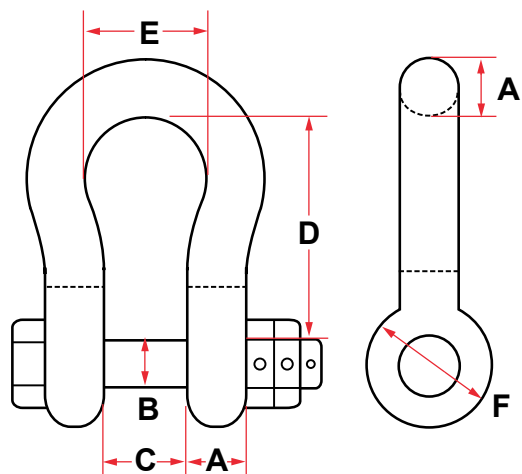


HARDWARE

SEA-LINK HEAVY LIFT INDUSTRIAL AND MARINE TOWING SHACKLES

(MADE WITH PRIDE IN THE USA)

ANCHOR PATTERN — REGULAR JAW



SIZE (A)	WORKING LOAD LIMIT IN TONS	PIN DIAM. IN INCHES (B)	JAW WIDTH INCHES (C)	DIMENSIONS (INCHES)			APPROX. WT. EACH IN POUNDS
				D	E	F	
1-1/2	31	1-3/4	2-3/8	5-3/4	3-7/8	3-1/2	20
1-3/4	41	2	2-7/8	7	5	4-1/4	23
2	52	2-1/4	3-1/4	7-3/4	5-3/4	4-5/8	41
2-1/4	67	2-1/2	4-1/4	9-1/4	6-1/2	5	67
2-1/2	82	2-3/4	4-1/2	10-1/2	7-1/2	5-3/4	88
2-3/4	104	3	4-1/2	11	7-3/4	6-1/8	112
3	123	3-1/4	5	13	8-1/2	6-1/2	133
3-1/2	150	3-3/4	5-3/4	15	9	8-1/4	250
4	200	4-1/4	6-1/2	16	11	9-1/8	358

JAW TOLERANCE

- * Shackle Size 1-1/2 - 3 Inches = (+/-.125)
- * Shackle Size 3-1/2 - 4 Inches = (+/-.250)

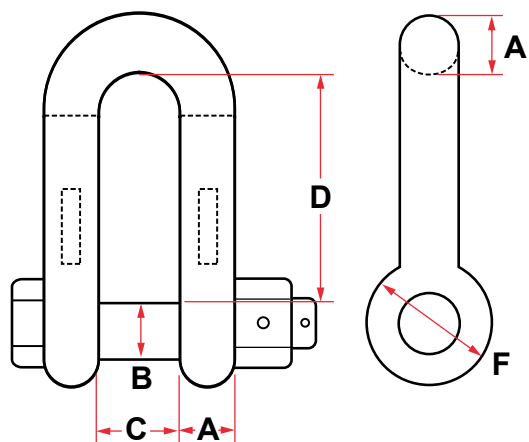
REACH TOLERANCE

- * Shackle Size 1-1/2 - 2-1/2 Inches = (+/-.500)
- * Shackle Size 2-3/4 - 4 Inches = (+/-.750)

SAFETY

- * 5:1 Safety Factor

CHAIN PATTERN — REGULAR JAW



SIZE (A)	WORKING LOAD LIMIT IN TONS	PIN DIAM. IN INCHES (B)	JAW WIDTH INCHES (C)	DIMENSIONS (INCHES)		APPROX. WT. EACH IN POUNDS
				D	F	
1-1/2	31	1-3/4	2-3/8	5-1/2	3-1/2	19
1-3/4	41	2	2-7/8	6-3/4	4-1/4	22
2	52	2-1/4	3-1/4	7-3/4	4-5/8	36
2-1/4	67	2-1/2	4-1/4	9-1/4	5	62
2-1/2	82	2-3/4	4-1/2	10-1/2	5-3/4	86
2-3/4	104	3	4-1/2	11	6-1/8	110
3	123	3-1/4	5	13	6-1/2	125
3-1/2	150	3-3/4	5-3/4	15	8-1/4	218
4	200	4-1/4	6-1/2	16	9-1/8	310

JAW TOLERANCE

- * Shackle Size 1-1/2 - 3 Inches = (+/-.125)
- * Shackle Size 3-1/2 - 4 Inches = (+/-.250)

REACH TOLERANCE

- * Shackle Size 1-1/2 - 2-1/2 Inches = (+/-.500)
- * Shackle Size 2-3/4 - 4 Inches = (+/-.750)

SAFETY

- * 5:1 Safety Factor

AVAILABLE IN SINGLE NUT OR DOUBLE NUT PINS.

HARDWARE



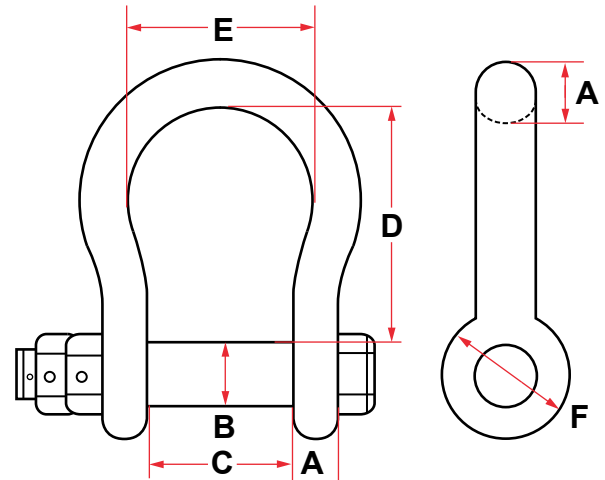


SEA-LINK HEAVY LIFT INDUSTRIAL AND MARINE TOWING SHACKLES (WIDE JAW)

(MADE WITH PRIDE IN THE USA)

ANCHOR PATTERN — WIDE JAW

SIZE (A)	WORKING LOAD LIMIT IN TONS	PIN DIAM. IN INCHES (B)	JAW WIDTH INCHES (C)	DIMENSIONS (INCHES)			APPROX. WT. EACH IN POUNDS
				D	E	F	
1-1/2	22	1-3/4	4-3/16	8-1/8	6-1/4	3-1/2	28
1-3/4	30	2	5	9-3/8	6-7/8	4-1/4	40
2	40	2-1/4	5-3/4	10-1/2	8-1/8	4-5/8	55
2-1/4	48	2-1/2	6-1/4	11-1/2	8-7/8	5	75
2-1/2	55	2-3/4	6-1/2	12-3/8	9-3/8	5-3/4	106
2-3/4	68	3	7	12-3/4	9-3/4	6-1/8	138
3	80	3-1/4	7-1/4	13	10	6-1/2	157
3-1/2	120	3-3/4	9-1/4	15-1/2	12-1/4	8-1/4	274



JAW TOLERANCE

* Shackle Size 1-1/2 - 3 Inches = (+/-.125)
 * Shackle Size 3-1/2 Inches = (+/-.250)

REACH TOLERANCE

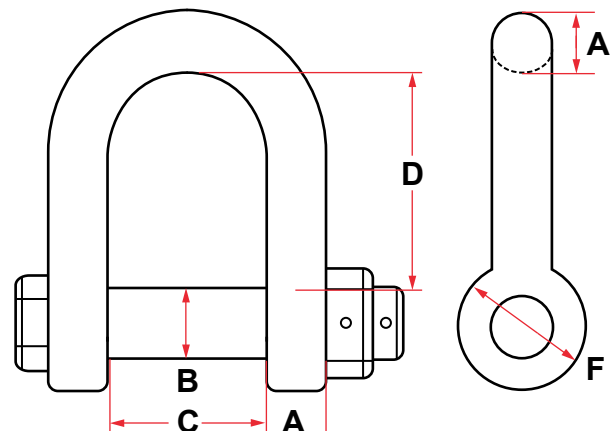
* Shackle Size 1-1/2 - 2-1/2 Inches = (+/-.500)
 * Shackle Size 2-3/4 - 3-1/2 Inches = (+/-.750)

SAFETY

* 5:1 Safety Factor

CHAIN PATTERN — WIDE JAW

SIZE (A)	WORKING LOAD LIMIT IN TONS	PIN DIAM. IN INCHES (B)	JAW WIDTH INCHES (C)	DIMENSIONS (INCHES)		APPROX. WT. EACH IN POUNDS
				D	F	
1-1/2	22	1-3/4	4-3/16	8-1/8	3-1/2	28
1-3/4	30	2	5	9-3/8	4-1/4	45
2	40	2-1/4	5-3/4	10-1/2	4-5/8	60
2-1/4	48	2-1/2	6-1/4	11-1/2	5	71
2-1/2	55	2-3/4	6-1/2	12-3/8	5-3/4	112
2-3/4	68	3	7	12-3/4	6-1/8	127
3	80	3-1/4	7-1/4	13	6-1/2	165
3-1/2	120	3-3/4	9-1/4	15-1/2	8-1/4	278



JAW TOLERANCE

* Shackle Size 1-1/2 - 3 Inches = (+/-.125)
 * Shackle Size 3-1/2 Inches = (+/-.250)

REACH TOLERANCE

* Shackle Size 1-1/2 - 2-1/2 Inches = (+/-.500)
 * Shackle Size 2-3/4 - 3-1/2 Inches = (+/-.750)

SAFETY

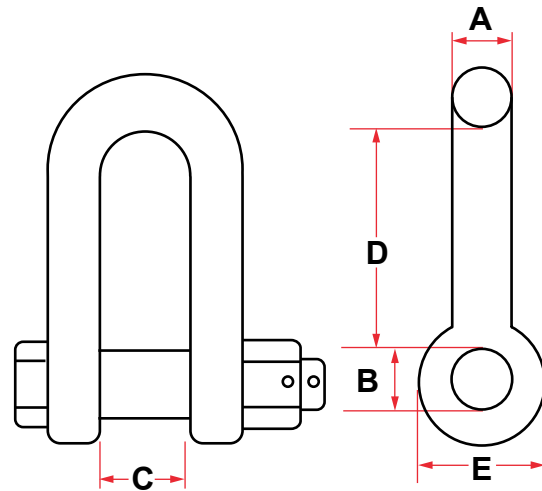
* 5:1 Safety Factor

AVAILABLE IN SINGLE NUT OR DOUBLE NUT PINS.



HARDWARE

3" SEA-LINK TOWING SHACKLE (ELONGATED)



SAFE WORKING LOAD 115 TONS

HARDWARE

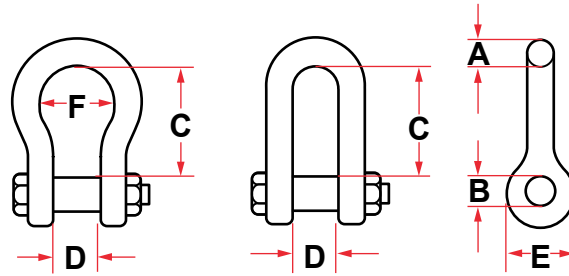
DIMENSIONS (INCHES)	
A	3
B	3-1/4
C	5-1/2
D	16-1/4





HIGH STRENGTH ALLOY SHACKLES

HEAT-TREATED, DROP FORGED ALLOY STEEL ANCHOR AND CHAIN SHACKLES: SCREW PIN AND SAFETY BOLT PIN



RATED LOAD TONS	DIMENSIONS IN INCHES							WEIGHT IN POUNDS	
	A	B	C		D	E	F	SCREW PIN OR ROUND PIN	SAFETY BOLT
			ANCHOR	CHAIN					
1-1/4	3/8	7/16	1-7/16		21/32	31/32	1-1/32	0.3	
1-3/4	7/16	1/2	1-11/16		23/32	1-1/16	1-5/32	0.5	
2-1/2	1/2	5/8	1-7/8		13/16	1-3/16	1-5/16	0.75	0.84
4	5/8	3/4	2-3/8		1-1/16	1-9/16	1-11/16	1.3	1.8
6	3/4	7/8	2-13/16		1-1/4	1-7/8	2	2.3	2.5
7-1/2	7/8	1	3-5/16		1-7/16	2-1/8	1-9/32	3.5	4.0
10	1	1-1/8	3-3/4		1-11/16	2-3/8	2-11/16	5.0	5.5
11-1/2	1-1/8	1-1/4	4-1/4		1-13/16	2-5/8	2-29/32	7.0	7.5
14	1-1/4	1-3/8	4-1/2		2-1/32	3	3-1/4	9.5	11.0
16	1-3/8	1-1/2	5-1/4		2-1/4	3-5/16	3-1/2	13.0	14.0
20*	1-1/2	1-5/8	3-3/4		2-3/8	3-5/8	3-7/8	17.0	19.0
30	1-1/2	1-5/8	5-3/4	5	2-3/8	3-5/8	3-7/8	19.0	21.0
24*	1-5/8	1-3/4	6-1/4		2-5/8	3-13/16	4-3/8	24.0	26.0
30*	1-3/4	2	7		2-7/8	4-5/16	5	28.0	31.0
40	1-3/4	2	7	5-3/4	2-7/8	4-5/16	5	30.0	34.0
40*	2	2-1/4	7-3/4		3-1/4	5	5-3/4	39.0	42.0
50	2	2-1/4	7-3/4	6-3/4	3-1/4	5	5-3/4	48.0	52.0
60	2-1/4	2-1/2	8-3/4	7-1/8	3-7/8	5-1/2	6-1/2		68.0
80	2-1/2	2-3/4	10-1/2		4-1/8	6	7-1/4		92.0
85*	2-1/2	2-3/4	10	8	4-1/8	6	7-1/4		94.0
95	2-3/4	3	11-1/4	8-1/2	4-1/2	6-1/4	8		121.0
110	3	3-1/4	13	9	5	6-3/4	9		144.0
120*	3	3-1/4	13		5	6-1/2	9		146.0
140	3-1/2	3-3/4	15	10-1/2	5-3/4	8-1/2	10-1/8		250.0
175	4	4-1/4	17	12	6-1/2	9-3/8	10-1/2		360.0
250	4-1/2	4-3/4	19	14-1/2	7-1/4	10	12-1/2		445.0
250*	4-3/4	5-1/8	22-1/2		7-7/8	10-1/2	14-1/8		640.0
300	5	5-1/4	21	21	8	12-1/2	14		620.0
300*	5-1/8	5-3/4	25-1/2		8-1/4	11	15-3/4		810.0
350	5-1/2	5-3/4	23	23	8-3/4	13-1/2	15-1/2		990.0
400*	5-3/4	6-1/8	28		8-7/8	12-1/2	17-3/4		1140.0
400	6	6-3/4	26	26	10-1/4	15	17-1/2		1225.0
500*	6-1/8	6-3/4	30-1/2		9-7/8	14	19-5/8		1380.0
500	6-1/2	7-1/4	29	29	11	16	19		1710.0
600	7	7-1/2	31	31	11-1/2	17	20		2030.0
700	7-1/2	8	33	33	12-1/4	18	21-1/2		2605.0
750*	8	8-1/2	32-1/2		13-3/8	17	23		3070.0
800	8	8-1/2	36	36	13-1/2	19	23		2980.0
1000*	9-1/2	10	39		15-1/2	20	29-1/8		5150.0

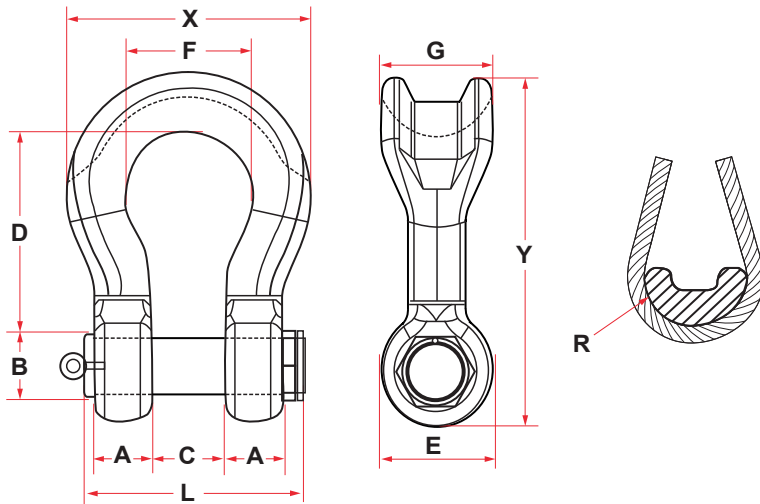
* Available Size Options
 ** Various Dimensional Options are available:
 Please confirm when necessary.
 Sizes 3/16" Thru 1" Available in Stainless Steel

NOTES: Minimum breaking strength is five times rated working load. Furnished in galvanized or self colored finish. Pins are galvanized after threading. Shackles can be furnished with complete traceability, proof test certificates, and serial number at slight additional charge.



HARDWARE

WIDE BODY SLING SAVER SHACKLE



- Material : Alloy steel quenched and tempered
- Safety Factor : 5 times
- Finish : Painted
- Certificates : 3.1 B Material Manufacturer Proofload.
- On Request : 3.1 C Material Certificate DNV, Loyds, ABS, BV etc. MPI & US Inspection

Rounded wide body protects sling from damages.

WLL TON	A (MM)	B (MM)	C (MM)	D (MM)	E (MM)	F (MM)	G (MM)	L (MM)	R (MM)	X (MM)	Y (MM)	WEIGHT (*)	
												KGS	
30	35	44	65	180	90	128	80	202	45	209	292	14	
40	45	51	84	200	109	140	97	252	53	235	331	21	
55	65	56	95	250	130	160	115	295	55	288	400	33	
75	75	70	110	300	150	185	120	345	60	334	485	53	
125	85	80	140	370	165	220	150	395	80	380	583	84	
150	90	95	150	400	200	250	170	420	90	429	638	115	
200	105	105	160	480	225	275	205	470	110	484	755	183	
250	120	120	180	550	240	300	230	520	125	540	850	255	
300	140	134	195	600	280	350	265	580	140	628	947	368	
400	160	160	230	620	330	370	320	655	170	689	1035	571	
500	170	180	265	680	350	450	340	710	180	779	1125	719	
600	180	200	290	720	405	490	370	795	190	849	1213	960	
700	210	215	320	780	465	540	400	880	215	957	1330	1350	
800	220	230	345	800	465	555	420	925	220	975	1358	1400	
900	235	250	370	850	480	585	440	1010	235	1060	1450	2100	
1000	235	270	400	850	530	615	460	1050	240	1091	1490	2200	
1250	275	300	455	960	570	645	560	1210	285	1205	1695	2800	
1550	275	320	485	980	610	680	580	1240	290	1240	1745	3300	
1750	310	360	500	1120	660	700	600	1330	310	1346	1860	4700	
2000	320	385	520	1140	680	720	620	1350	320	1368	1932	4800	
2500	330	400	520	1140	740	730	635	1380	330	1383	1995	5400	
3000	340	420	530	1140	760	740	650	1410	340	1413	2025	5800	
3500	350	440	540	1140	790	750	670	1480	350	1480	2068	6800	

Tolerance ± 5%

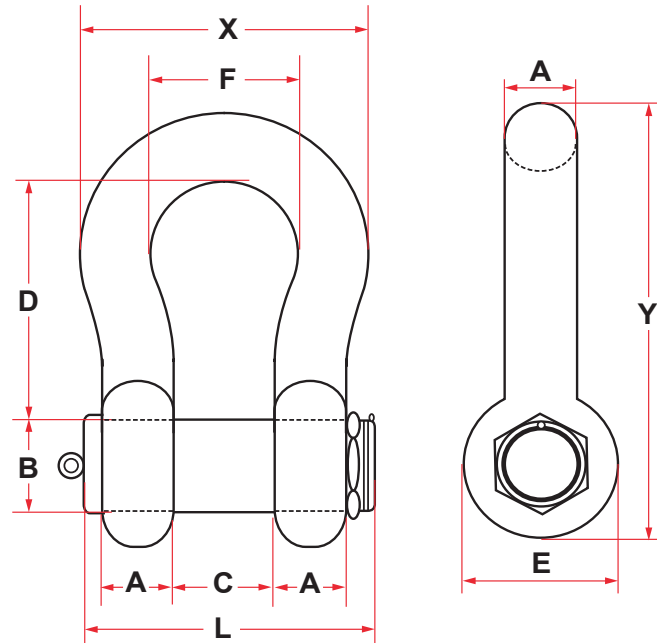
HARDWARE





BOW SAFETY PIN SHACKLE

Material : Up to and including 120 T forged high tensile steel. Above 120 T forged high alloy steel.
 Safety Factor : 5 times. Generally to U.S. Federal Spec RR-271
 Finish : Painted / Galvanised
 Certificates : 3.1 B Material Manufacturer
 On Request : 3.1 C Material Certificate
 Proofload certificate
 DNV, Loyds, ABS, BV etc.
 MPI & US Inspection



WLL TON	A (MM)	B (MM)	C (MM)	D (MM)	E (MM)	F (MM)	L (MM)	X (MM)	Y (MM)	WEIGHT KGS
120	89	95	150	380	200	238	420	416	617	110
150	102	108	170	400	230	275	475	479	671	160
200	120	125	180	500	260	290	520	530	813	235
250	125	140	205	540	260	305	560	555	865	285
300	130	150	205	600	305	305	570	565	958	340
400	165	175	230	680	350	326	665	655	1108	560
500	180	185	255	700	370	350	720	710	1158	685
600	195	205	285	700	405	375	815	765	1200	880
700	205	217	310	700	435	400	860	810	1231	980
800	210	217	310	700	435	400	870	820	1236	1100
900	220	230	330	700	465	420	910	860	1268	1280
1000	230	240	350	750	480	420	950	880	1290	1460
1250	278	270	370	780	590	450	1105	1010	1490	2320
1500	280	290	370	800	610	450	1105	1010	1530	2450
1750	300	330	430	950	660	540	1230	1140	1745	3280
2000	320	360	460	1050	680	560	1300	1200	1890	3920

Tolerance ± 5%