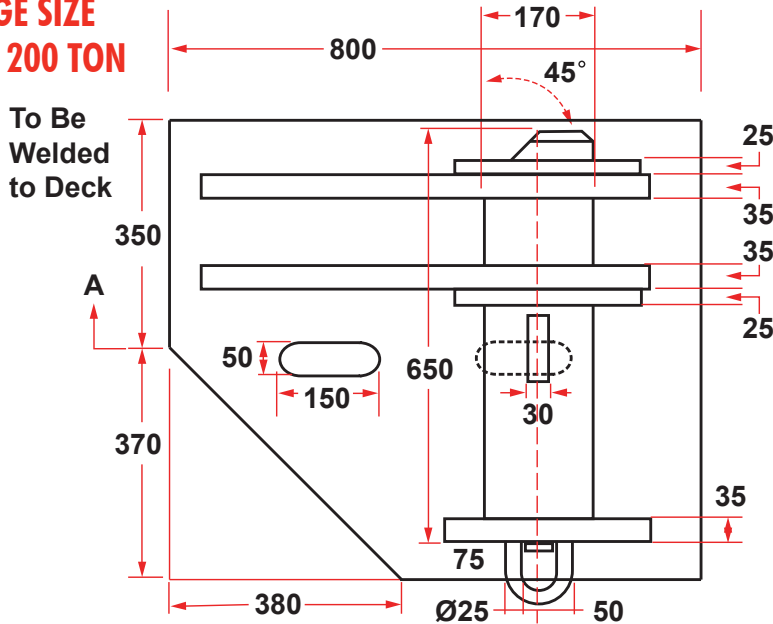


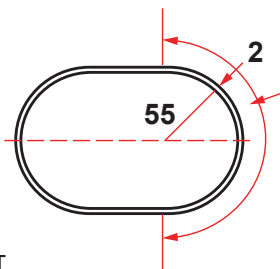
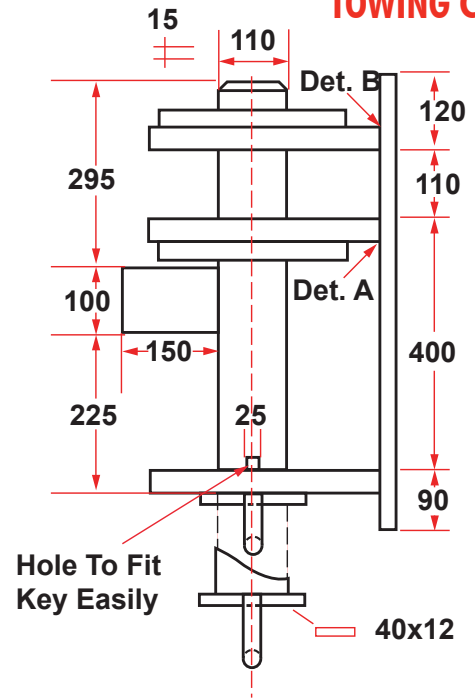


SMIT BRACKET WITH ABS CERTIFICATION

**LARGE SIZE
SWL 200 TON**

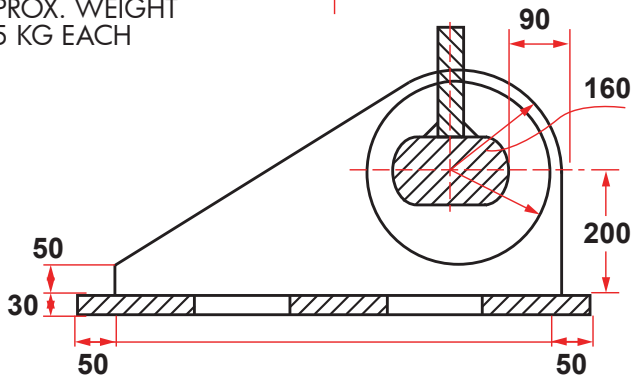


**CONNECTION FOR 3-1/4"
TOWING CHAIN**

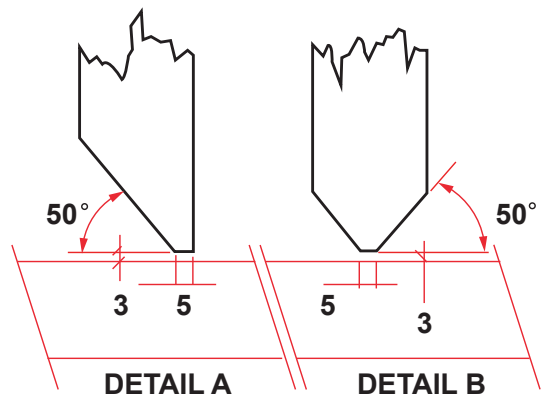
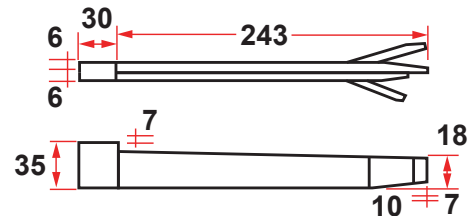


AT LEAST THIS PART OF
BOLT AND HOLES TO BE
MACHINED

APPROX. WEIGHT
375 KG EACH



DECK UNDERNEATH TO BE
REINFORCED IF NECESSARY
STARBOARD CONNECTION IS
DRAWN, PORT CONNECTION
IS REFLECTED IMAGE.



TOWING