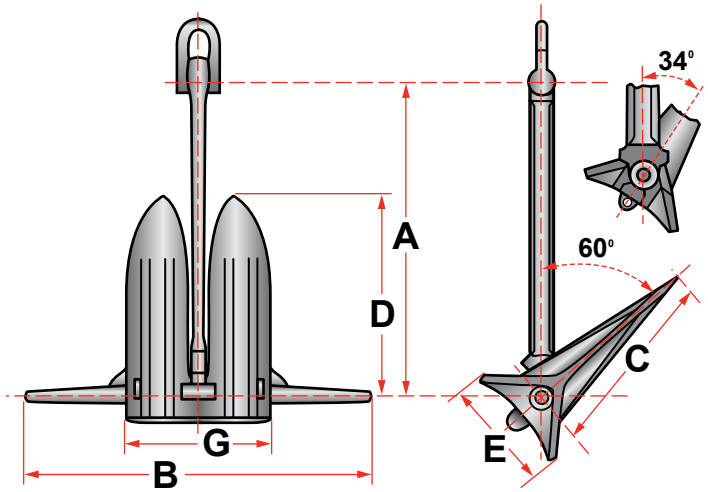




OFFDRILL ANCHOR HIGH HOLDING POWER

APPROX. WEIGHTS AND DIMENSIONS

ANCHOR WEIGHT KG	DIMENSIONS IN MM					
	A	B	C	D	E	G
454	1545	1900	920	1095	480	645
1360	2230	2770	1330	1580	690	930
2721	2570	3630	1530	1820	795	1071
3628	3095	3890	1840	2190	960	1290
4535	3335	4000	1985	2360	1032	1390
5443	3540	4250	2110	2505	1095	1475
6350	3730	4500	2220	2640	1155	1555
7256	3900	4750	2320	2760	1205	1625
9080	4200	5000	2500	2975	1300	1750
13606	4810	5335	2860	3405	1490	2005



MUSHROOM ANCHOR MOORING SIZES

WEIGHT LBS.	DIMENSIONS IN INCHES				
	BELL THICKNESS	BELL DIAM.	SHANK DIAM.	EYE DIAM.	O.A. LENGTH
50	1/4	20	1-1/4	7/8	34
100	1/2	25-1/2	1-1/4	1	48
150 S.	1	26	1-1/2	1	24
150 L.	1/2	29-1/2	1-1/2	1	52
200	5/8	32	1-1/2	1-1/8	56
250	3/4	34-1/2	2-1/4	1-1/4	64
300	3/4	34-1/2	2-1/4	1-1/4	64
350	3/4	37	2-1/4	1-1/4	70

