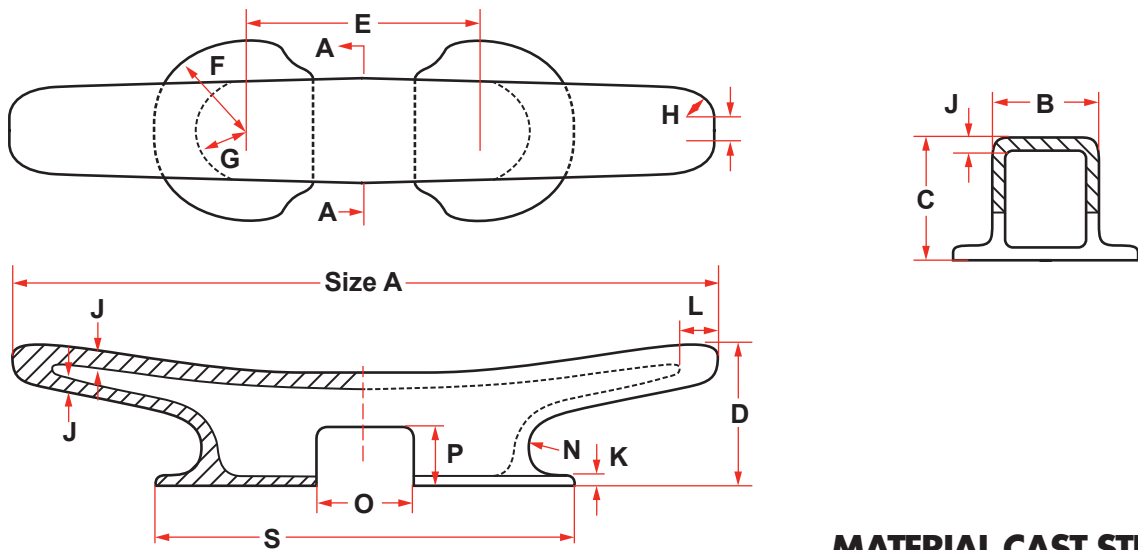




# DECK FITTINGS

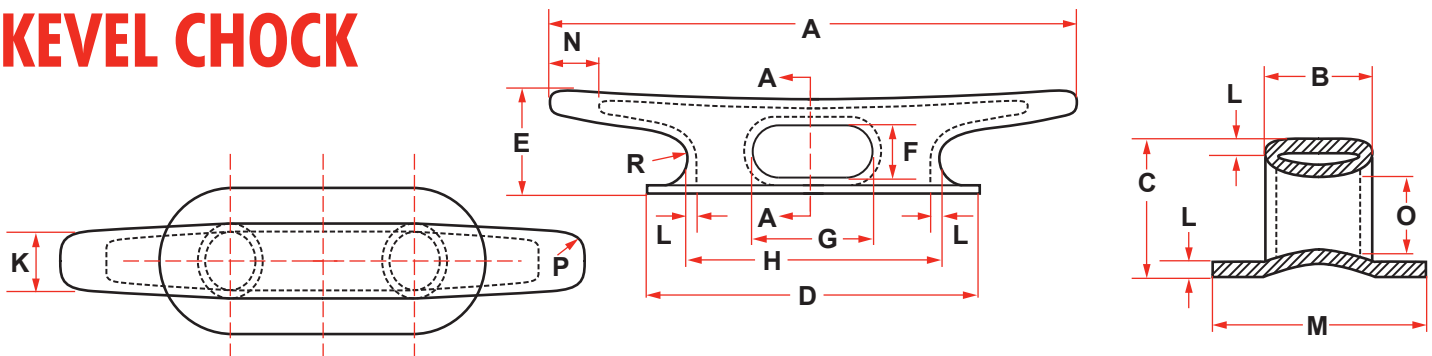
## KEVEL



**MATERIAL CAST STEEL**

DIMENSIONS (INCHES)																
A	B	C	D	E	F	G	H	I	J	K	L	M	N	O	P	S
30	4	5	6-1/8	10	4	2	1-1/4	3/4	1/2	3/8	1-3/4	3/4	1	4	2-1/4	18
36	5	5-7/8	7-1/8	12	5	2-1/2	1-1/2	1	9/16	1/2	2-1/8	7/8	1-1/2	5	2-3/4	22
42	6	7	8-1/2	14	6	3	1-7/8	1-1/4	5/8	5/8	2-1/2	1	2	6	3-1/4	26
48	7	9	10	16	7	3-1/2	2	1-1/2	3/4	3/4	4	1-1/4	2-1/2	7	4	30
60	7	9	13	20	9	4-1/2	2	1-3/4	3/4	3/4	4	1-1/4	2-1/2	9	4	38

## KEVEL CHOCK



DIMENSIONS (INCHES)															
A	B	C	D	E	F	G	H	K	L	M	N	O	P	R	T
24	3	4-1/2	17	6	1-1/2	5-1/2	11	1-1/2	1/2	8	2	1-1/2	1-1/8	1	3/4
30	4	5-5/8	20-1/4	7	2-3/8	6-7/8	14	3-1/4	1/2	9-1/2	2	2-3/8	1-1/4	1-3/8	7/8
36	5	6-3/4	23-1/2	8	3-1/4	8-1/4	17	4	9/16	11	2-1/2	3-1/4	1-1/2	1-3/4	1
42	6	7-7/8	26-3/4	9	4-1/8	9-5/8	20	4-3/4	5/8	12-1/2	2-3/4	4-1/8	1-7/8	2-1/8	1-1/8
48	7	9	30	10	5	11	23	5-1/2	3/4	14	4	5	2	2-1/2	1-1/4

DECK FITTINGS