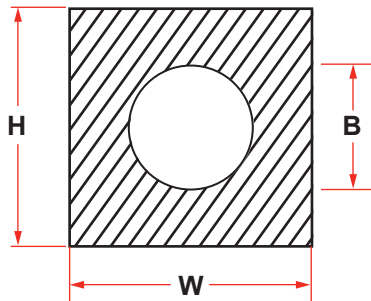




300 SERIES - RECTANGULAR FENDER



CODE NO.	DIMENSIONS (INCHES)			WT./FT. LBS.	LENGTH UP TO
	HEIGHT (H)	WIDTH (W)	BORE (B)		
DB-302	2	4	SOLID	3.9	60 FT.
DB-303	3-1/2	4-1/2	1	8.0	60 FT.
DB-304	5	5	2-1/2	9.8	60 FT.
DB-305	5	6-1/2	2-1/2	13.0	40 FT.
DB-305A	5-1/2	6	2-1/2	13.9	40 FT.
DB-306	6	6-1/2	2-1/2	17.4	20 FT.
DB-306A	6	6	2-7/8	14.6	20 FT.
DB-306B	6	7	2-1/2	18.0	20 FT.
DB-307	7	10	3	34.1	20 FT.
DB-307A	7	10	3-1/2	30.0	20 FT.
DB-308	8	8	3	28.2	20 FT.
DB-309	8	10	3	39.5	20 FT.
DB-309A	9	10	SOLID	50.7	20 FT.
DB-310	10	10	4	42.4	20 FT.
DB-311	10	12	4	60.0	20 FT.
DB-312	12	12	5	68.0	20 FT.
DB-313	12	12	4	68.5	20 FT.
DB-314	14	14	6	83	20 FT.

FENDERS