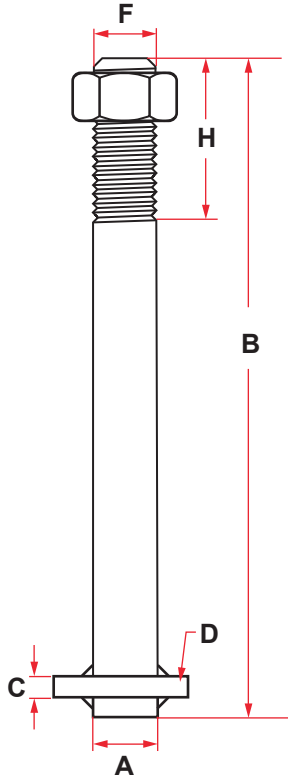




DOCK

DOCK

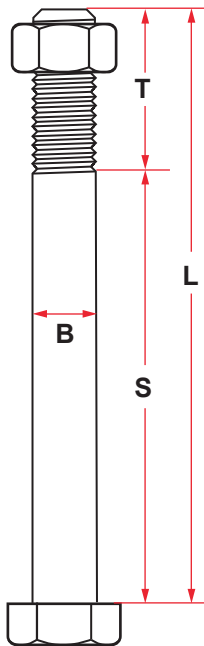


ANCHOR BOLT - TYPE X

DIMENSIONS (INCHES)	
A =	D =
B =	F =
C =	H =

MATERIAL: SPECIFY

FINISH: SPECIFY

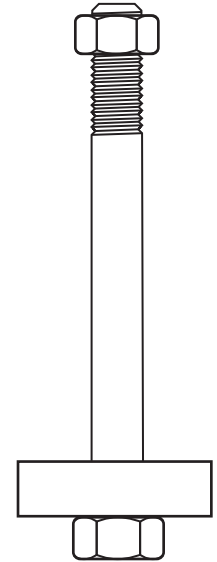
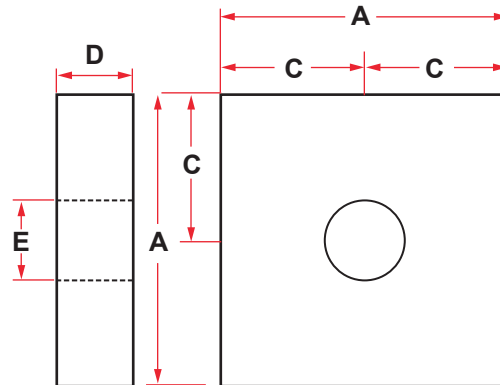


ANCHOR BOLT - TYPE II

DIMENSIONS (INCHES)	
A =	E =
B =	T =
C =	L =
D =	S =

MATERIAL: SPECIFY

FINISH: SPECIFY



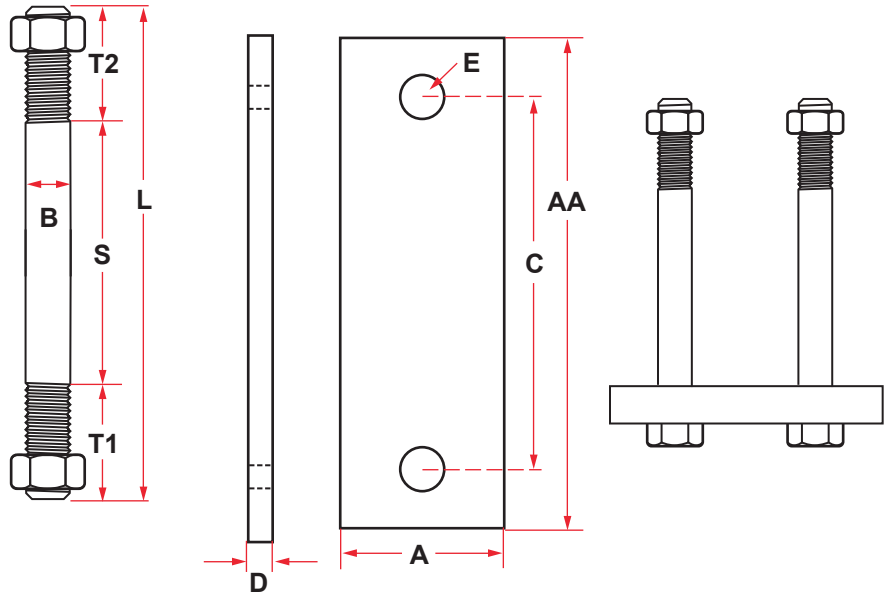


ANCHOR BOLT - TYPE III

DIMENSIONS (INCHES)	
A =	E =
AA =	T1 =
B =	T2 =
C =	L =
D =	S =

MATERIAL: SPECIFY

FINISH: SPECIFY



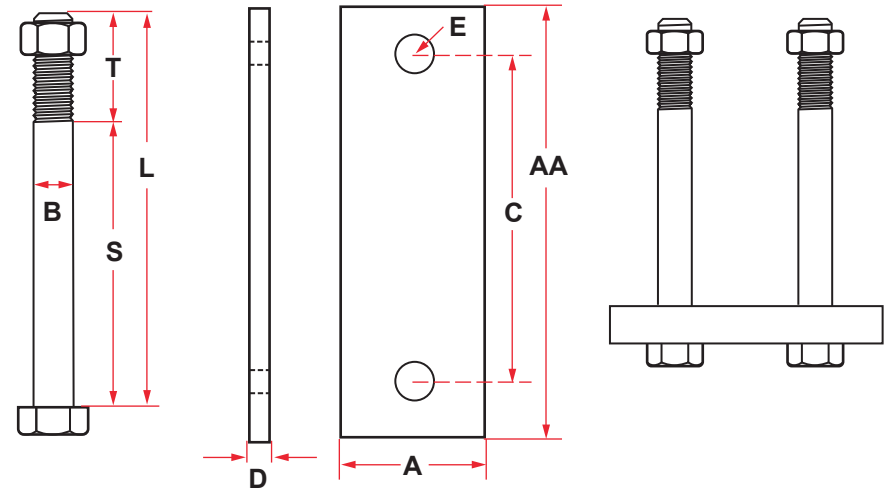
DOCK

ANCHOR BOLT - TYPE IV

DIMENSIONS (INCHES)	
A =	T =
B =	L =
C =	S =
D =	AA =
E =	

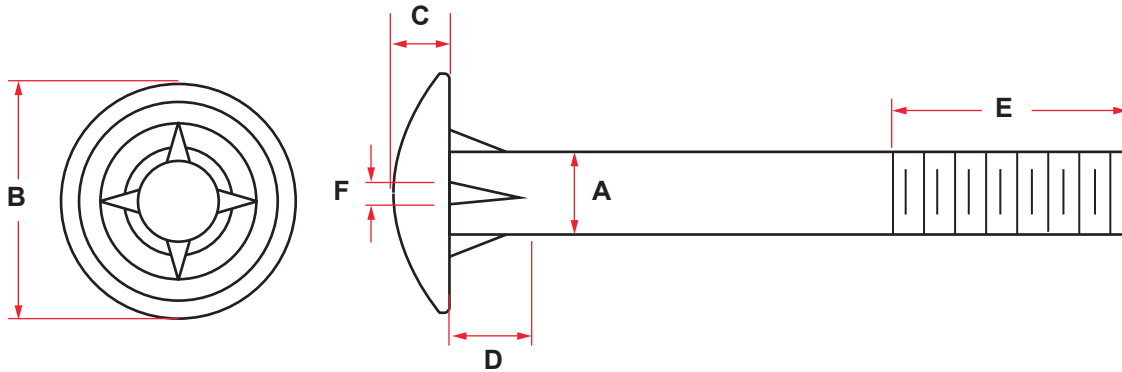
MATERIAL: SPECIFY

FINISH: SPECIFY



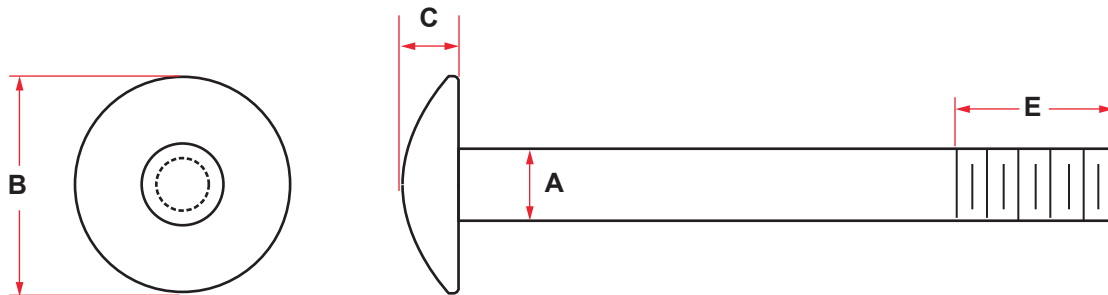


DOCK



WEATHER-TUFF TIMBER BOLTS

DIMENSIONS (INCHES)					
A	B	C	D	E *	F
5/8	2-1/4	5/16	5/8	6	1/4
3/4	2-5/8	7/16	3/4	6	1/4
7/8	3	7/16	7/8	6	9/32
1	3	1/2	1	6	5/16
* ON BOLTS OVER 12" IN LENGTH					



DOME HEAD BOLTS

DIMENSIONS (INCHES)			
A	B	C	E *
5/8	2-1/4	5/16	6
3/4	2-5/8	7/16	6
7/8	3	7/16	6
1	3	1/2	6
* ON BOLTS OVER 15" IN LENGTH			



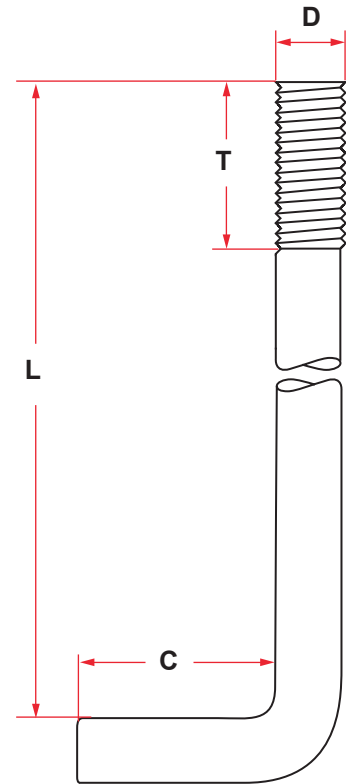


ANCHOR BOLT - TYPE V

DIMENSIONS (INCHES)	
C =	L =
D =	T =

MATERIAL: SPECIFY

FINISH: SPECIFY



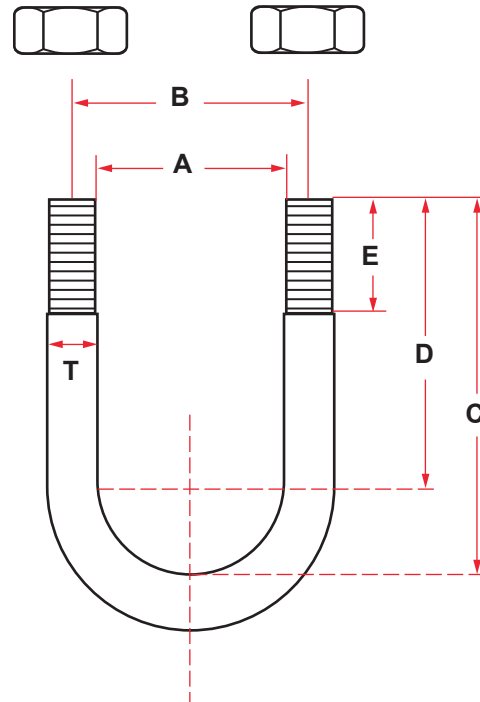
DOCK

ANCHOR BOLT - TYPE VIII

DIMENSIONS (INCHES)	
A =	D =
B =	E =
C =	T =

MATERIAL: SPECIFY

FINISH: SPECIFY





DOCK

WEIGHTS OF GALVANIZED BOLTS WITHOUT NUTS

APPROXIMATE WEIGHT OF 100 STEEL BOLTS IN POUNDS

LENGTH (INCHES)	DIAMETER (INCHES)							
	1/2	5/8	3/4	7/8	1	1-1/8	1-1/4	1-1/2
2	14.1	24.1	37.2	55.4	76.0	103.0		
3	19.5	32.5	49.3	71.2	95.9	128.0	167.0	258.0
4	24.9	40.9	61.4	87.7	117.0	155.0	200.0	306.0
5	30.2	49.2	73.4	104.0	139.0	182.0	234.0	356.0
6	35.6	57.6	85.5	121.0	160.0	209.0	267.0	406.0
7	40.7	65.6	97.1	137.0	181.0	235.0	300.0	454.0
8	46.1	74.0	109.0	153.0	203.0	263.0	333.0	504.0
9	51.5	82.4	121.0	170.0	224.0	290.0	367.0	554.0
10	56.9	90.8	133.0	186.0	246.0	317.0	400.0	604.0
11	62.3	99.2	145.0	202.0	267.0	344.0	434.0	654.0
12	67.6	108.0	158.0	219.0	288.0	371.0	468.0	704.0
13	73.0	116.0	170.0	235.0	310.0	399.0	501.0	754.0
14	78.4	124.0	182.0	252.0	331.0	426.0	535.0	804.0
15	83.8	133.0	194.0	268.0	353.0	453.0	568.0	854.0
16	89.2	141.0	206.0	285.0	374.0	480.0	602.0	904.0
17	94.5	149.0	218.0	301.0	396.0	507.0	635.0	954.0
18	99.9	158.0	230.0	318.0	417.0	535.0	669.0	1004.0
19	105.0	168.0	242.0	334.0	439.0	542.0	702.0	1054.0
20	111.0	175.0	254.0	351.0	460.0	589.0	736.0	1104.0
21	116.0	183.0	266.0	367.0	482.0	616.0	770.0	1154.0
22	121.0	191.0	278.0	384.0	503.0	643.0	803.0	1204.0
23	127.0	200.0	290.0	400.0	525.0	671.0	837.0	1254.0
24	132.0	208.0	303.0	417.0	546.0	698.0	870.0	1304.0
25			315.0	433.0	568.0	725.0	904.0	1354.0
26			327.0	450.0	589.0	752.0	937.0	1404.0
27			339.0	466.0	611.0	779.0	971.0	1454.0
28			351.0	483.0	632.0	807.0	1005.0	1504.0
29			363.0	499.0	654.0	834.0	1038.0	1544.0
30			375.0	516.0	675.0	861.0	1072.0	1604.0
32			399.0	549.0	718.0	915.0	1139.0	1704.0
34			423.0	582.0	761.0	1023.0	1273.0	1804.0
36			471.0	615.0	847.0	1131.0	1407.0	1904.0

WEIGHTS OF GALVANIZED TIE RODS

APPROXIMATE WEIGHT PER EACH

LENGTH (INCHES)	DIAMETER (INCHES)					
	1/2	5/8	3/4	1	1-1/4	1-1/2
10	6.7	10.5	15.0	26.7	41.7	60.1
12	8.1	12.6	18.0	32.1	50.1	72.1
15	10.0	15.7	22.6	40.1	62.6	90.1
16	10.7	16.7	24.0	42.7	66.8	96.0
20	13.4	21.0	30.0	54.4	83.4	120.2