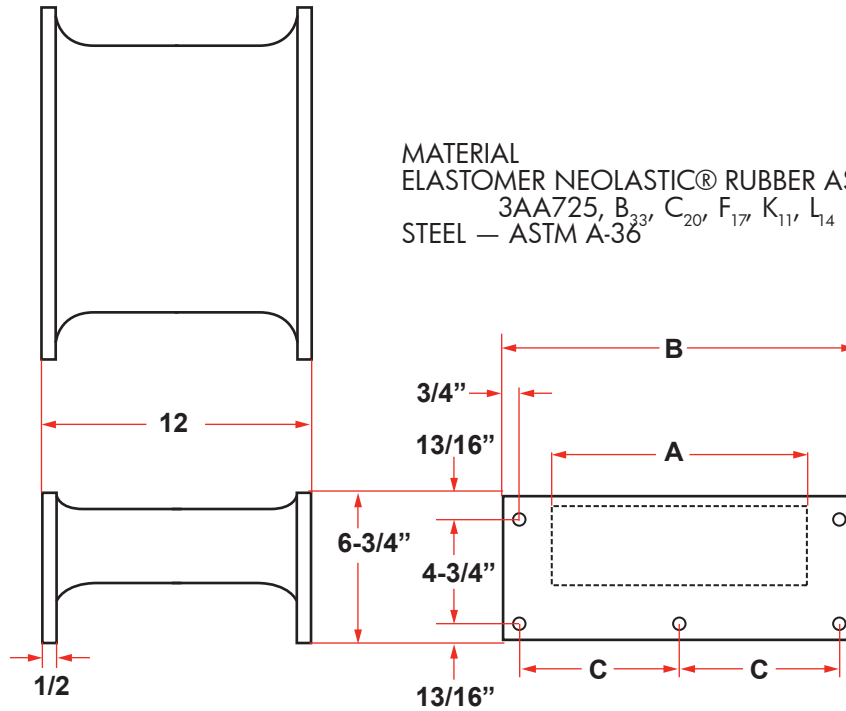




FENDERS

12" BUCKLING COLUMN PRODUCT DIMENSIONS

FENDERS



MATERIAL
ELASTOMER NEOLASTIC® RUBBER ASTM D-2000
3AA725, B₃₃, C₂₀, F₁₇, K₁₁, L₁₄
STEEL — ASTM A-36

.80 DIA. HOLES 3/4
DIA (19MM) BOLTS

PART NO.	WT.	A	B	C
E46001	25 LBS.	6	10	4-1/4
	11.3Kg	(152.4)	(254)	(108)
E46002	35 LBS.	9	13	5-3/4
	15.9Kg	(228.6)	(330.2)	(146.1)
E46003	45 LBS.	12	16	7-1/4
	20.4 Kg	(304.8)	(406.4)	(184.2)
E46004	35 LBS.	9	13	5-3/4
	15.9 Kg	(228.6)	(330.2)	(146.1)
E46005	50 LBS.	12	16	7-1/4
	22.7 Kg	(304.8)	(406.4)	(184.2)

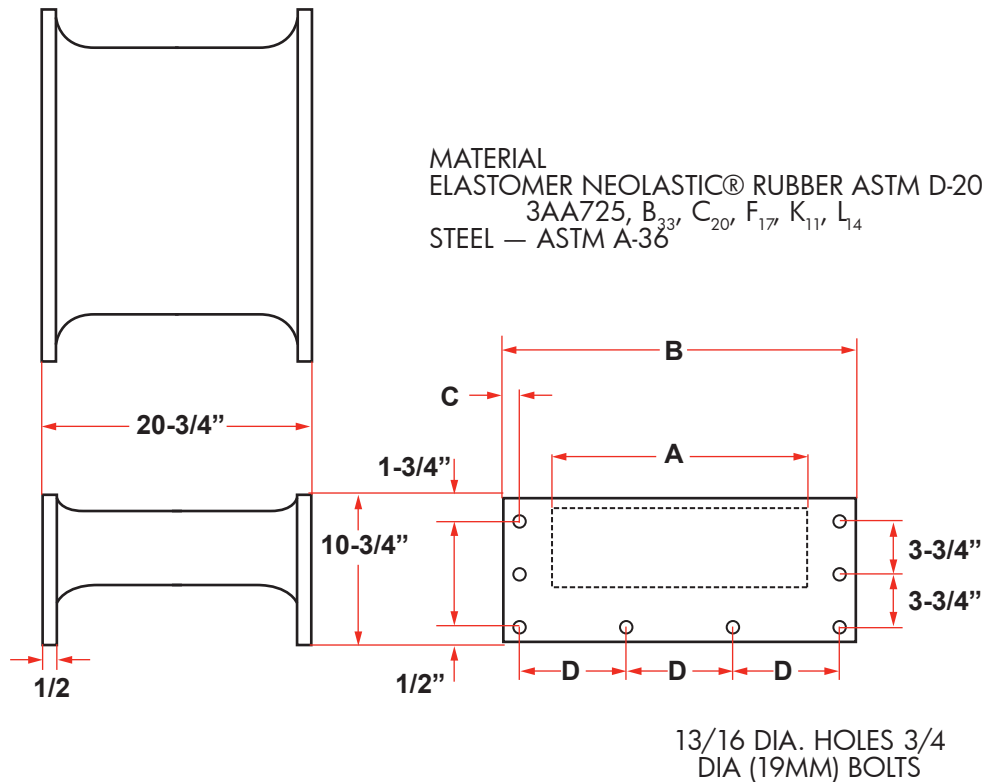
INCH	CM
1/2	1.27
3/4	1.91
0.8	2.03
13/16	2.06
1-13/16	3.02
4-3/4	12.07
6-3/4	17.15

NOTE: ALL DIMENSIONS IN PARENTHESES ARE IN MILLIMETERS





20" BUCKLING COLUMN PRODUCT DIMENSIONS



FENDERS

PART NO.	WT.	A	B	C	D
E46006	90 LBS.	10	16-5/16	1-19/32	4-3/8
	40.8Kg	(254)	(414.3)	(40.5)	(111.1)
E46007	115 LBS.	14	20-5/16	1-5/8	5-11/16
	52.3 Kg	(355.6)	(515.9)	(41.3)	(144.5)
E46008	145 LBS.	18	24-5/16	1-21/32	7
	65.9 Kg	(457.2)	(617.5)	(42.1)	(177.8)
E46009	175 LBS.	22	28-5/16	1-19/32	8-3/8
	79.5 Kg.	(558.8)	(719.1)	(40.5)	(212.7)
E46010	205 LBS.	26	32-5/16	1-5/8	9-11/16
	93.2 Kg.	(660.4)	(820.7)	(41.3)	(246)

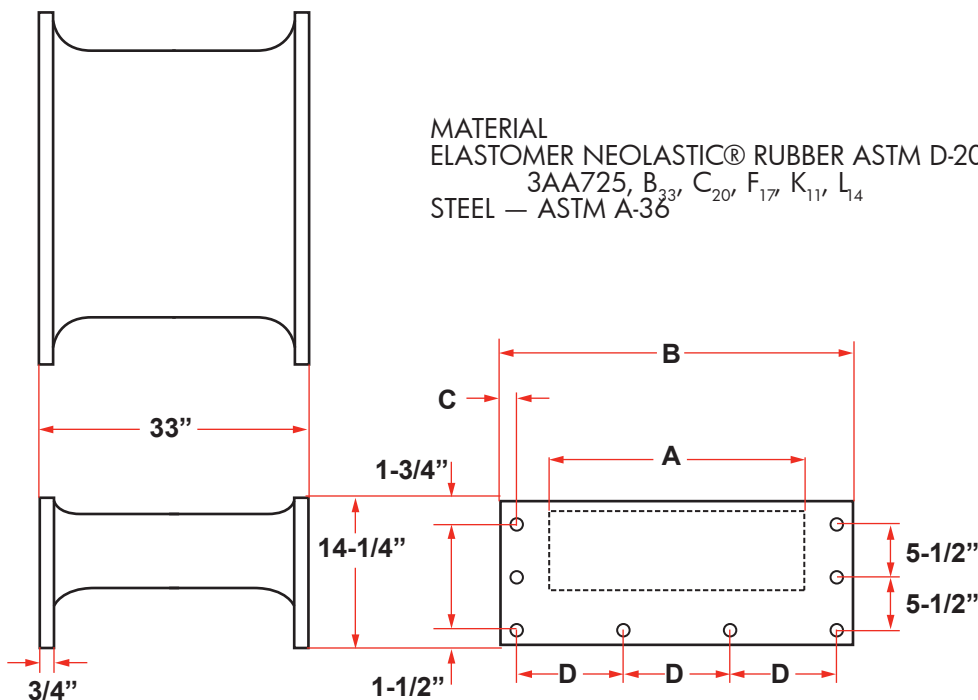
INCH	CM
1/2	1.27
13/16	2.06
1-1/2	3.81
1-3/4	4.45
3-3/4	9.53
10-3/4	27.31
20-3/4	52.71

NOTE: ALL DIMENSIONS IN PARENTHESES ARE IN MILLIMETERS



FENDERS

33" BUCKLING COLUMN PRODUCT DIMENSIONS



MATERIAL
ELASTOMER NEOLASTIC® RUBBER ASTM D-2000
3AA725, B₃₃, C₂₀, F₁₇, K₁₁, L₄
STEEL — ASTM A-36

1-1/8" DIA. HOLES FOR 1"
DIA (24MM) BOLTS

PART NO.	WT.	A	B	C	D
E46011	235 LBS.	12	18-5/16	1-21/32	5
	107 KG.	(304.8)	(465.1)	(42.1)	(127)
E46012	345 LBS.	18	24-5/16	1-21/32	7
	157 KG.	(457.2)	(617.5)	(42.1)	(177.8)
E46013	400 LBS.	22	28-5/16	1-19/32	8-3/8
	181 KG.	(558.8)	(719.1)	(40.5)	(212.7)
E46014	480 LBS.	26	32-5/16	1-5/8	9-11/16
	218 KG.	(660.4)	(820.7)	(41.3)	(246.1)
E46015	550 LBS.	30	36-5/16	1-21/32	11
	250 KG.	(762.0)	(922.3)	(42.1)	(279.4)
E46016	710 LBS.	34	40-5/16	1-19/32	12-3/8
	322 KG.	(865)	(1023)	(40.5)	(314.3)
E46017	790 LBS.	38	44-5/16	1-23/32	13-5/8
	359 KG.	(956.2)	(1126)	(44.0)	(346.1)

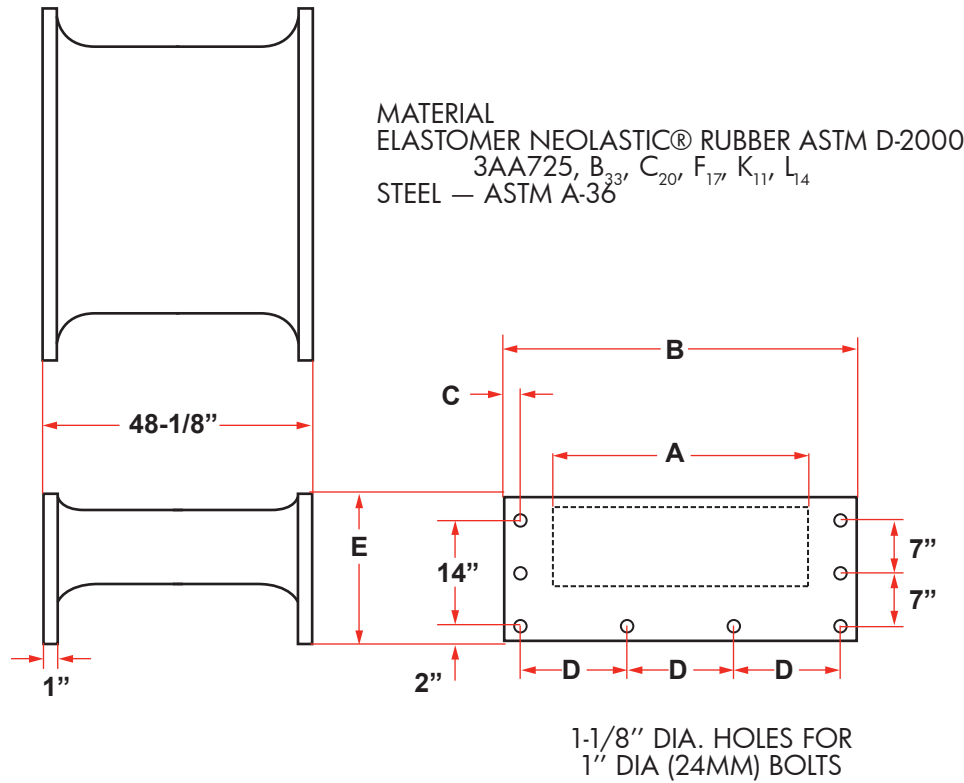
INCH	CM
3/4	1.91
1-1/8	2.86
1-1/2	3.81
1-3/4	4.45
5-1/2	13.97
14-1/4	36.20
33	83.32

NOTE: ALL DIMENSIONS IN PARENTHESES ARE IN MILLIMETERS





48" BUCKLING COLUMN PRODUCT DIMENSIONS



FENDERS

PART NO.	WT.	A	B	C	D	E
E46018	525 LBS.	14	20-5/16	1-29/32	5-1/2	19-1/2
	238 KG.	(355.6)	(515.9)	(48.4)	(139.7)	(4953)
E46019	635 LBS.	17-1/2	23-13/16	1-13/32	7	20-1/2
	288 KG.	(444.5)	(604.8)	(35.7)	(177.8)	(5207)
E46020	750 LBS.	21	27-5/16	1-21/32	8	20-1/2
	340 KG.	(533.4)	(693.7)	(42.1)	(203.2)	(5207)
E46021	870 LBS.	24-1/2	30-13/16	1-29/32	9	20-1/2
	394 KG.	(622.3)	(782.6)	(48.4)	(228.6)	(5207)
E46022	990 LBS.	28	34-4/16	1-13/32	10-1/2	20-1/2
	448 KG.	(711.2)	(871.5)	(35.7)	(266.7)	(5207)

INCH	CM
1	2.54
1-1/8	2.86
2	5.08
3-1/2	8.89
48-1/8	122.24

NOTE: ALL DIMENSIONS IN PARENTHESES ARE IN MILLIMETERS