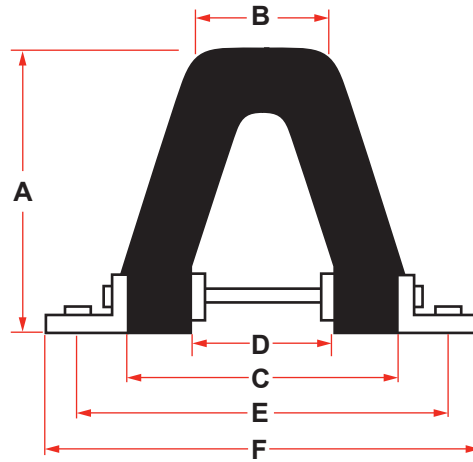




FENDERS

DELTA "A" SERIES, EXTERNAL PLATE



Tolerances:
 ± 4% on faces
 ± 8% on bore
 ± 1% on length
 or 1/2"

DIMENSIONS (INCHES) WEIGHTS IN LBS./FT.

MODEL	A	B	C	D	E	F
13A	12	7-1/2	13	6-1/2	17	20
20A	16	10	20	10	25	28
23A	20	12	23	12	29	33

* RUBBER/STEEL

MODEL	A	B	C	D	E	F
13A	305	191	330	165	432	508
20A	406	254	508	254	635	711
23A	508	305	584	305	737	838

* RUBBER/STEEL

Rubber options: EPDM/butyl, butyl, low-friction butyl and non-marking gray EPDM rubber compounds all are available.

Designer's note: Consult Anchor Marine for design/budgetary assistance on any special shape or profile. Our analysis can include load deflection/energy characteristics, as well as low/high temperature behavior, shape factor limitations, tear strength and other design criteria free of charge. Special compounds may be recommended for specific problem solutions.

