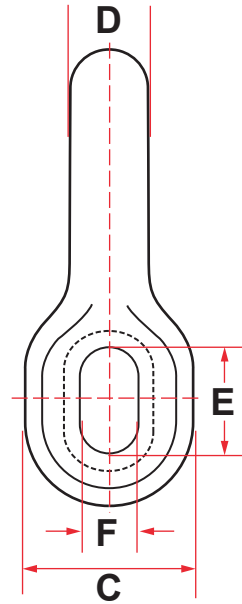
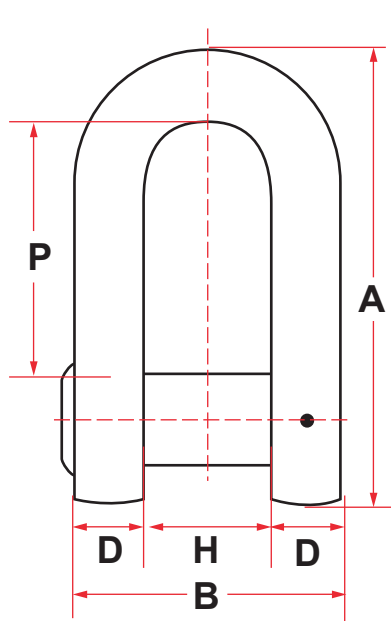




D-TYPE ANCHOR SHACKLE

All figures are factors which have to be multiplied with the nominal chain diameter.



- A = 8.7D
- B = 5.2D
- C = 3.1D
- D = 1.4D
- E = 1.8D
- F = 1.4D
- H = 2.4D
- P = 4.6D

SIZE INCHES	MM	DIMENSIONS (INCHES)								WEIGHT (LBS)	WEIGHT (KG)
		A	B	C	D	E	F	H	P		
3/4	19	6-1/2	3-7/8	2-3/8	1	1-3/8	1	1-3/4	3-1/2	5.5	2.5
7/8	22	7-5/8	4-1/2	2-3/4	1-1/4	1-5/8	1-1/4	2-1/8	4	8.4	3.8
1	25	8-3/4	5-1/4	3-1/8	1-3/8	1-3/4	1-3/8	2-3/8	4-5/8	13.2	6
1-1/8	29	9-3/4	5-7/8	3-1/2	1-5/8	2	1-5/8	2-3/4	5-1/8	18.5	8.4
1-1/4	32	10-7/8	6-1/2	3-7/8	1-3/4	2-1/4	1-3/4	3	5-3/4	24.9	11.3
1-3/8	35	12	7-1/8	4-1/4	1-7/8	2-1/2	1-7/8	3-1/4	6-3/8	34.2	15.5
1-1/2	38	13	7-3/4	4-5/8	2-1/8	2-3/4	2-1/8	3-5/8	6-7/8	43.7	19.8
1-5/8	41	14-1/8	8-1/2	5	2-1/4	2-7/8	2-1/4	3-7/8	7-1/2	56.9	25.8
1-3/4	44	15-1/4	9-1/8	5-3/8	2-1/2	3-1/8	2-1/2	4-1/4	8	70.3	31.9
1-7/8	48	16-3/8	9-3/4	5-7/8	2-5/8	3-3/8	2-5/8	4-1/2	8-5/8	85.5	38.8
2	51	17-3/8	10-3/8	6-1/4	2-3/4	3-5/8	2-3/4	4-3/4	9-1/4	105.8	48
2-1/8	54	18-1/2	11	6-5/8	3	3-7/8	3	5-1/8	9-3/4	125.7	57
2-1/4	57	19-5/8	11-3/4	7	3-1/8	4	3-1/8	5-3/8	10-3/8	147.7	67
2-3/8	60	20-5/8	12-3/8	7-3/8	3-3/8	4-1/4	3-3/8	5-3/4	10-7/8	176.6	80.1
2-1/2	64	21-3/4	13	7-3/4	3-1/2	4-1/2	3-1/2	6	11-1/2	204.1	92.6
2-5/8	67	22-7/8	13-5/8	8-1/8	3-5/8	4-3/4	3-5/8	6-1/4	12-1/8	234.6	106.4
2-3/4	70	23-7/8	14-1/4	8-1/2	3-7/8	5	3-7/8	6-5/8	12-5/8	267.6	121.4
2-7/8	73	25	15	8-7/8	4	5-1/8	4	6-7/8	13-1/4	310.2	140.7
3	76	26-1/8	15-5/8	9-1/4	4-1/4	5-3/8	4-1/4	7-1/4	13-3/4	350.5	159

Approximate dimensions shown. Contact us for specific dimensions, as they may differ between manufacturers.